



***Manitowoc***  
**Foodservice**  
**Parts Manual**

For more Parts Information:

<https://manitowocfsg.sysonline.com/Default.aspx>

# TABLE OF CONTENTS

Manitowoc Foodservice [Updated: Sep. 30, 2013]

Manitowoc - Ice & Related

Parts Catalog

Ice Machine

S Series

S Model - UnderCounter

SM50

SM50 Control Box Components ..... 1

SM50 Evaporator Compartment ..... 3

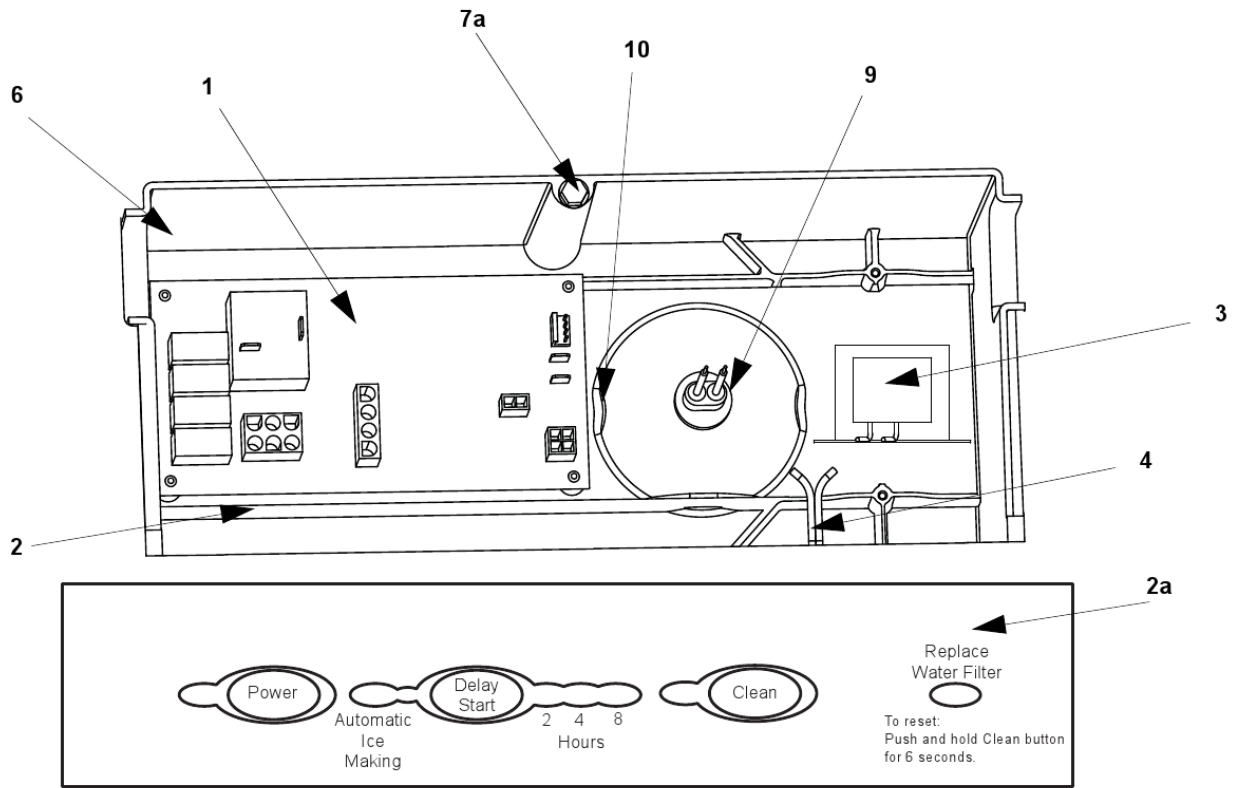
SM50 Refrigeration Compartment - Common Parts ..... 5

SM50 Refrigeration Compartment - Air-cooled ..... 8

SM50 Panels ..... 10

# SM50

## SM50 CONTROL BOX COMPONENTS



# SM50

## SM50 CONTROL BOX COMPONENTS

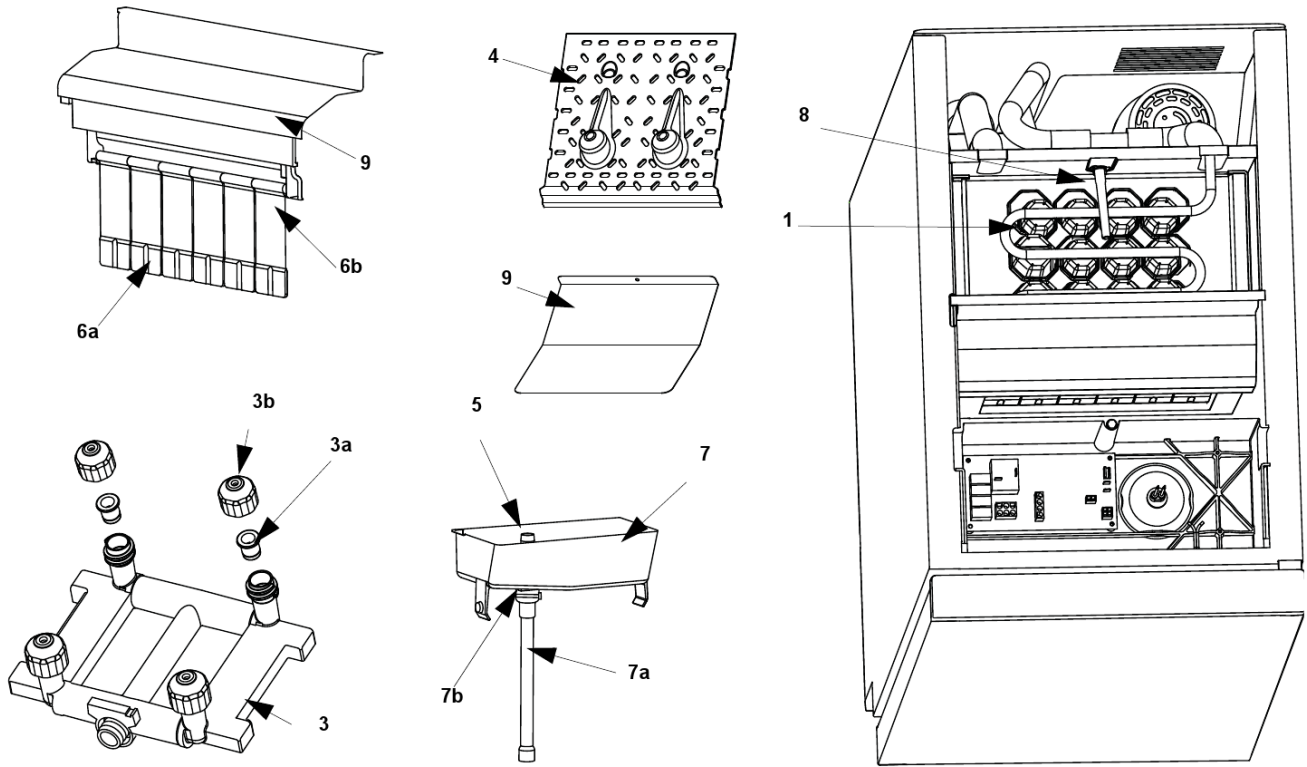
#	PART #	DESCRIPTION	QTY	Note
1	00000653	Control Board, main		
1a	2511493	10 Amp Fuse		
2	000001684	Control Board, user interface		
2a	00000665	Label, control board overlay		
3	00000652	Transformer		
4	00000655	Wiring Harness		[1]
5	00000656	Proximity Switch Harness		
6	000003012	Control Box		
7	00000663	Control Box Cover		
7a	5005029	Screw		
8		Wiring Harness		
8a	00000668	High Voltage		[2]
8b	00000669	Low Voltage		[3]
9	00000664	Lamp Holder		
10	00000667	Bin Light Clear Cover		
11	00000666	Light Bulb		

### PART NOTES:

- [1] - control panel to control board
- [2] - Harvest Valve, Water Inlet Valve
- [3] - Toggle Switch, Thermistor

# SM50

## SM50 EVAPORATOR COMPARTMENT



# SM50

## SM50 EVAPORATOR COMPARTMENT

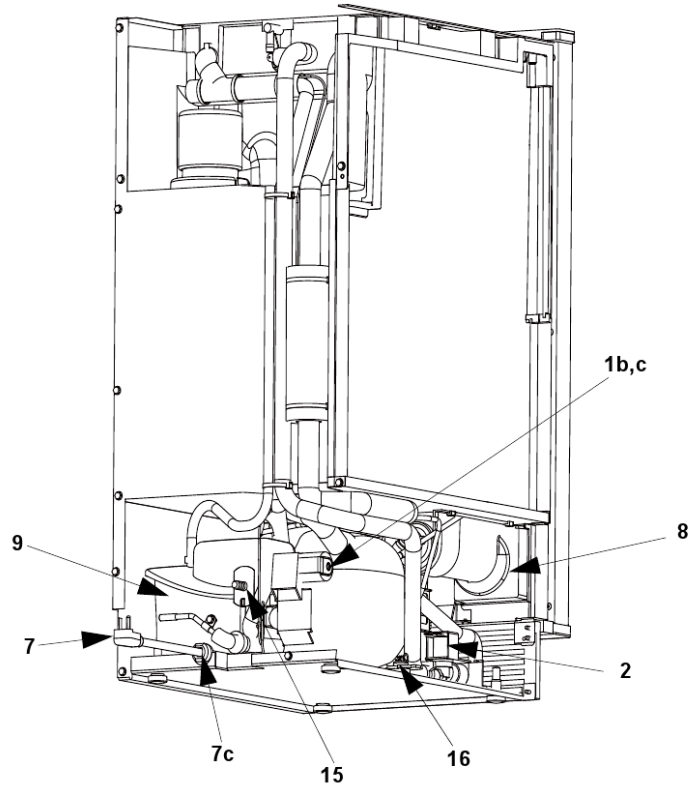
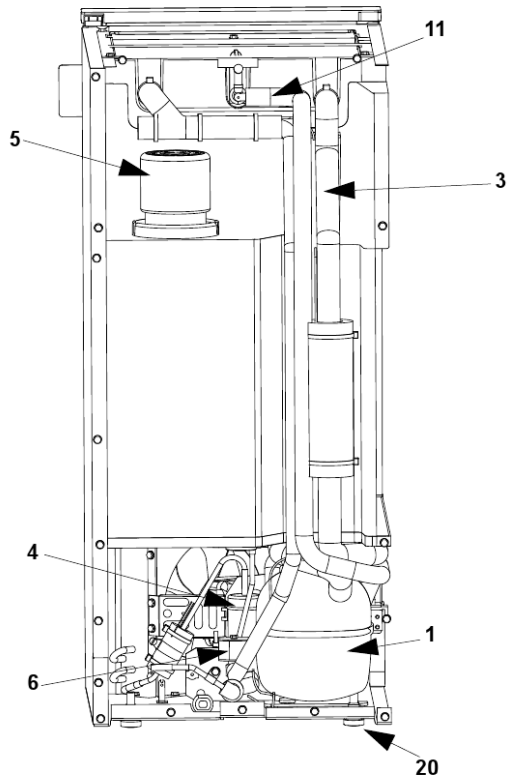
#	PART #	DESCRIPTION	QTY	Note
1	3006429	Evaporator Assembly		
2		Bin Thermostat		
2a	040000815	Bin Thermostat Control		
2b	000005435	Clip		
3	7603423	Spray Bar Assembly		
3a	4008779	Insert		[1]
3b	4008769	Nozzle		[1]
3c	5004639	O-ring		
4	040000781	Ice Ramp		
5		Standpipe Assembly		
5a	000000670	Standpipe		
6		Curtain Assembly		
6a	040000779	Paddle		[2]
6b	000000671	Rod		
7	000000672	Water Trough		
7a	000000673	Vinyl Tube		[3]
7b	5005089	Clamp		
8	040000691	Evaporator Water Inlet Fitting		
8a	040000752	Bracket		
9	4014329	Evaporator Cover		
10	040000705	Foam Block Kit		

### PART NOTES:

- [1] - each
- [2] - each uses 6 per machine
- [3] - trough to drain

# SM50

## SM50 REFRIGERATION COMPARTMENT - COMMON PARTS



# SM50

## SM50 REFRIGERATION COMPARTMENT - COMMON PARTS

#	PART #	DESCRIPTION	QTY	Note
1		Compressor		
1a	00000674	Compressor - Emerson - 115V/60 Hz/1 Ph		
1b	00000675	Start Relay		
1c	8253489	Start Relay Cover		
1d	00000676	Start Capacitor		
1e	00000677	Overload Protector		
2		Harvest Valve		
2a	7629633	Harvest Valve Assembly - 115V/60 Hz		
2b		Harvest Valve Coil Only		[1]
3	00000679	Cap Tube/Heat Exchanger Assembly		
4	8252169	Drier		
5		Water Pump		
5a	00000680	Water Pump - 115V/60 Hz		
5b	5004659	Water Pump Base O-Ring - 4.00" ID		
6	00000681	Water Inlet Valve		
6a	00000683	Bracket		
6b	00000689	Fitting		
6c	00000682	Compression Nut		
6d	00000684	Compression Sleeve		
7	00000685	Power Cord - 115V/60 Hz/1 Ph		
7c	2512043	Strain Relief Bushing		
8	K00374	Water Filter		
8a	4420291	Vinyl Tube - 0.25" OD		[2]
8b	00000688	Filter Head		[3]
8b	040003196	Filter Head		[4]
8c	000001180	Speed fit		[5]
8d	00000469	Fitting		
8e	00000690	Clamp		
8f	040000543	Enclosure		
9	K00376	Drain Pump		
10	2009853	Thermistor		
11	00000693	Vinyl Tubing		[6]
12	5650539	Snap Clamp - 1.123 x 1.296		
13	00000691	Bin Drain Tube with Drain Pump		
13a	000002668	Bin Drain Tube without Drain Pump		
14	5650733	Drain Line Clamp		
15	4011289	Drain Fitting Barbed		
16		Compressor Mounting		
16a	5648289	Hairpin Clip		
16b	00000678	Compressor Sleeve		
16c	5000899	Compressor Rubber Grommet		
17	00000686	Back Utility Panel		



# SM50

## SM50 REFRIGERATION COMPARTMENT - COMMON PARTS

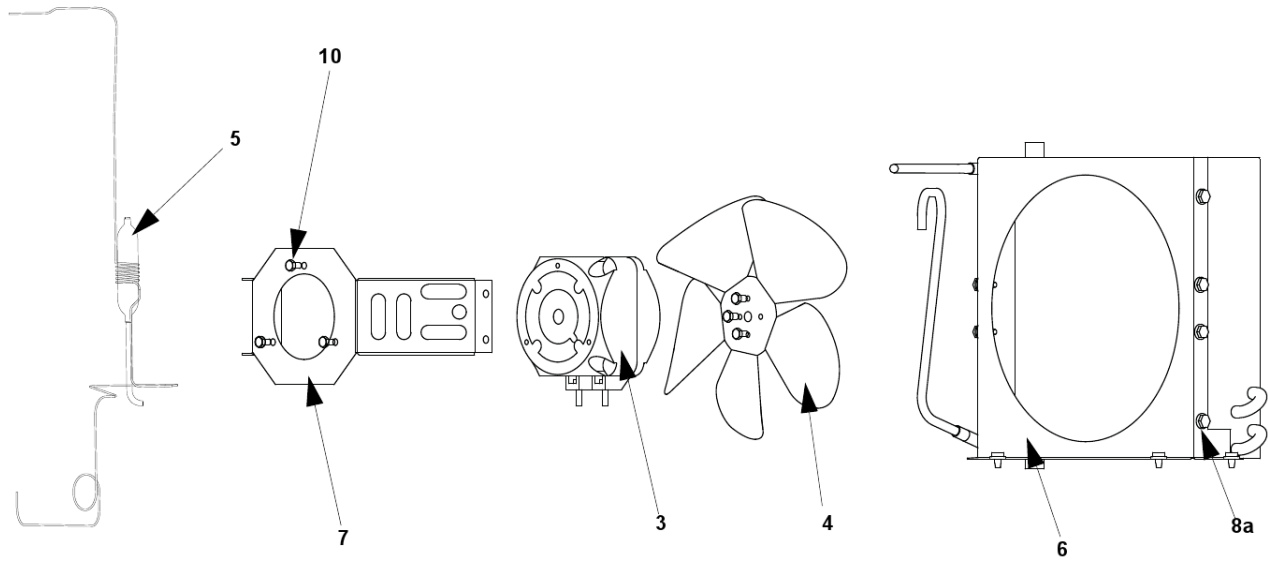
#	PART #	DESCRIPTION	QTY	Note
---	--------	-------------	-----	------

**PART NOTES:**

- [1] - No Longer Available
- [2] - 0.375 id x 37.5 long
- [3] - Before Serial Number 31024602
- [4] - After Serial Number 31024602
- [5] - 1/4" x 1/4"
- [6] - Pump to Spray Bar
- [7] - 26" long
- [8] - 19mm ID x 5' long

# SM50

## SM50 REFRIGERATION COMPARTMENT - AIR-COOLED



# SM50

## SM50 REFRIGERATION COMPARTMENT - AIR-COOLED

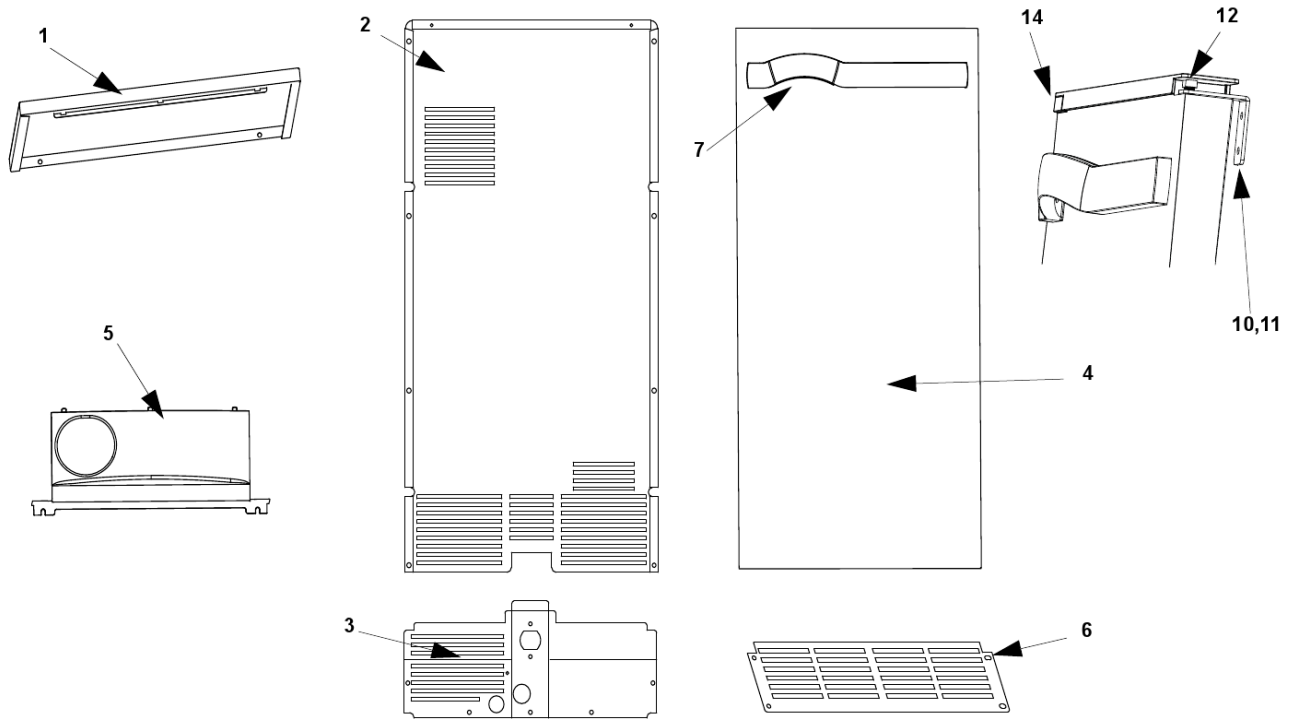
#	PART #	DESCRIPTION	QTY	Note
1		Compressor		[1]
2	8252903	Air Condenser		
3		Fan Motor		
a	000000694	Fan Motor 115V/60 Hz		
4	3005669	Fan Blade		
5	000000679	Cap Tube/Heat Exchanger Assembly		
6	6068229	Fan Shroud		
7	6068239	Fan Motor Mounting Bracket		
8	5650619	Screw Mounting Base		
8a	5004499	Screw Hex 5 x 31 mm		[2]
9	000000695	Baffle - Air Condenser		
10	5004859	Screw Php 7 x 7 mm		[3]
11	5005513	Screw 0.7 x 8 mm		

### PART NOTES:

- [1] - Refer to COMMON PARTS Page
- [2] - bracket to shroud
- [3] - motor to bracket

# SM50

## SM50 PANELS



# SM50

## SM50 PANELS

#	PART #	DESCRIPTION	QTY	Note
1		Top Cover		
1a	00000706	Top Cover Before Serial Number 310057169		
1b	04000792	Top Cover After Serial Number 310057169		
2	000002795	Back Panel		
3	000002796	Back Utility Panel		
4		Front Door Assembly		
4a	00000705	Front Door Assembly Before Serial Number 310046309		
4b	04000696	Front Door Assembly After Serial Number 310046309		
5	00000696	Water Filter Panel		
6	00000697	Front Grill		
7	00000708	Door Handle		
8	00000709	Door Gasket Seal		
9	5005813	Screw		
10	00000698	Door Hinge Bracket		
11	040002311	Door Hinge Bracket Cover		
12	00000700	Door Pivot Pin		
13		Door Trim Cover		
13a	00000704	Door Trim Cover Before Serial Number 310057169		
13b	00000555	Door Trim Cover After Serial Number 310057169		
14		Corner Filler		
14a	00000703	Corner Filler Before Serial Number 310057169		
b	00000626	Corner Filler After Serial Number 310057169		
15	00000702	Shoulder Bushing, Door Pin		
16	3302583	Ice Scoop		
17	5005909	Leg Levelers		