



MODEL AMBG-36
Shown with optional
stainless steel grease gutter.

**AMBG
MONGOLIAN BBQ GRILLS**

STANDARD FEATURES

- Heavy duty stainless steel radius rail
- 10 gauge all welded body construction
- Unique flame distribution cooks food evenly and consistently
- 430 stainless steel support throughout the unit.
- Large and removable grease drawer
- Equipped with heavy duty knee valve
- Easy to operate
- One year limited warranty, parts and labor

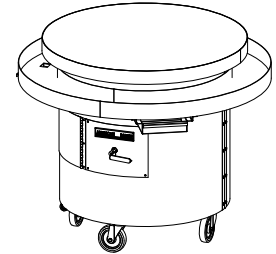
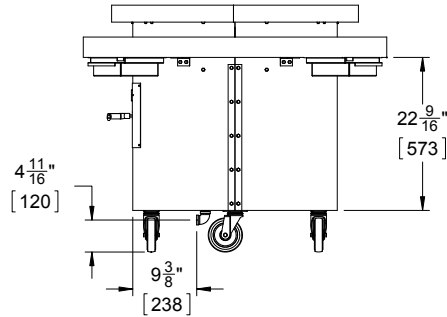
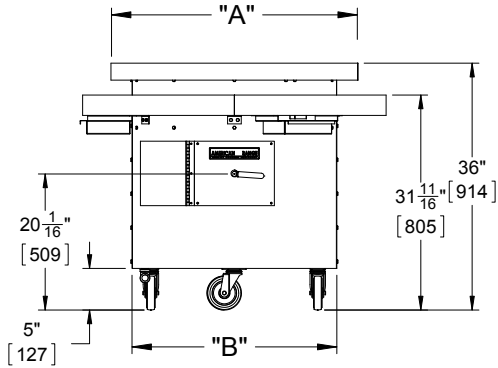
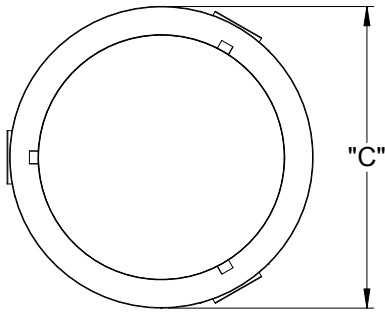


If Mongolian Barbecue is your specialty, then AMBG Mongolian Barbecue Grill by American Range is what you need! All the latest technology is incorporated to give you the best value for your money. You need power? We give it to you with high BTU output for instant recovery. Available in a variety of diameters, American Range can provide the grill you need. Now you can offer an expanded menu selection without giving up precious floor space. We give you the variety of cooking options.

AMBG MONGOLIAN BARBECUE GRILLS

AMBG-SERIES MONGOLIAN BARBEQUE GRILLS

MODEL	DIM "A"	DIM "B"	DIM "C"
AMBG-36	36" [914]	30" [762]	44-7/16" [1129]
AMBG-42	42" [1066]	30" [762]	50-3/8" [1279]
AMBG-48	48" [1219]	36" [914]	50-3/8" [1279]
AMBG-60	60" [1524]	54" [1372]	68-1/4" [1733]



Model	DRUM PLATE RADIUS	S/S GUTTER RADIUS	Height	Burners	Total BTU	KW	Shipping Weight	Lbs.	Kg.
AMBG-36	36"	52"	42"	1	125,000	37		400	181
AMBG-42	42"	58"	42"	1	125,000	37		500	227
AMBG-48	48"	64"	42"	1	125,000	37		575	261
AMBG-54	54"	70"	42"	1	160,000	47		685	311
AMBG-60	60"	76"	42"	1	160,000	47		750	340

STANDARD FEATURES

- Heavy Duty Stainless Steel radius rail.
- 10 Gauge all welded body construction.
- Unique flame distribution to cook food evenly and consistently.
- 430 Stainless Steel support throughout the unit.
- Large and removable grease drawer.
- Equipped with heavy duty knee valve.
- Easy to Operate.
- One year limited warranty, parts and labor.

OPTIONAL FEATURE

- Stainless Steel landing ledge.

GAS SUPPLY: 3/4" NPT Gas inlet Manifold pressure is 5.0"W.C. for natural gas or 10.0"W.C. for propane gas. Specify type of gas and altitude if over 2000 feet.

CLEARANCES: For use only on non-combustible floors. Legs or casters are required, or 2" (51) overhang is required when curb mounted. Clearance from non-combustible walls is 0". When unit is placed next to combustible walls, clearances must exceed 12" (305) on sides, and 4" (102) from rear: Radiant broilers for non-combustible locations only.

American Range is a quality manufacturer of commercial cooking equipment. Because of continuing product improvements these specifications are subject to change without prior notice



13592 Desmond St. Pacoima CA 91331
T. 818.897.0808 F. 818.897.1670
Toll Free: 888.753.9898
www.americanrange.com