



AMSQ-48
Shown with Long Equipment and Casters(optional)
Hand polished stainless steel finish

STANDARD FEATURES

- Rugged Stainless Steel body.
- Built-in gas log lighter burner with adjustable gas valve and standing pilot for instant ignition.
- Large Stainless Steel door with handle located on front of the broiler allows easy loading and moving of wood and charcoal.
- Open bottom grate design allows continuous updraft for optimum fuel combustion.
- Heavy duty fire box is lined with refractory bricks (fire bricks) that keeps its strength at high heat and protects the interior from burn out.
- Heavy duty cast iron top grates provide attractive broiler markings.
- Broiler may use any type of wood or charcoal.
- **Requires either (set of 4) 6" adjustable legs or stainless steel Long and Short Equipment Stands (ordered separately).**
- One year limited warranty.

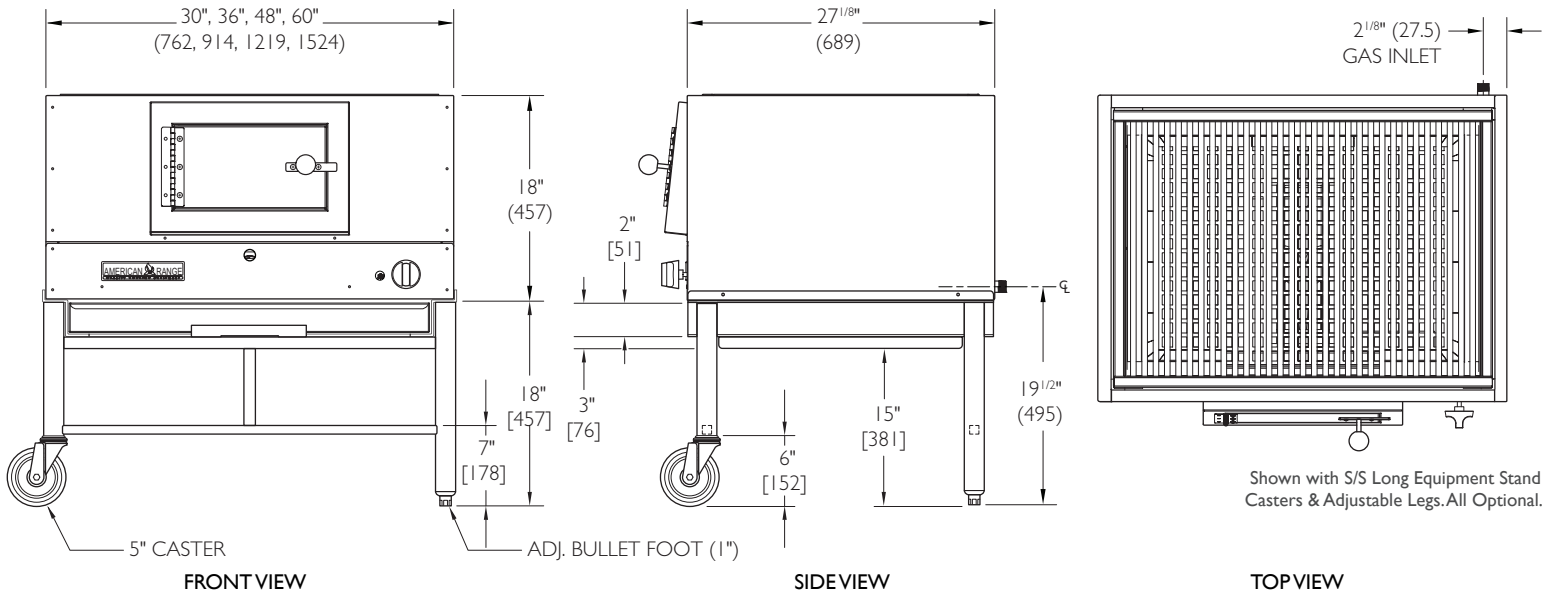


American Range provides as standard many of the optional upgrades normally offered at a premium on other Mesquite Wood Broiler lines.

The new look features a Stainless Steel body. Located on the front of the broiler is a large chute for easy loading and moving of wood and charcoal during operation. A built-in gas log lighter eliminates the need for messy lighter fluids or electric starters and can be used during "peak" periods. The American Range Mesquite Wood Broiler enhances the flavor of meat, fish and poultry with the unique flavor of mesquite. The broiler makes mesquite broiling convenient and efficient. The unique open grate bottom allows a continuous updraft of air for optimal fuel combustion saving wood and charcoal costs. The heavy duty round-rod grates make attractive broiling marks to add appetite appeal.

MESQUITE WOOD-FIRED CHAR BROILERS

SCALE: NOT TO SCALE



AMSQ MESQUITE WOOD-FIRED CHAR BROILERS

MODEL	Width	Depth	Height	Burners	Total BTU	KW	Shipping Weight	Lbs.	Kg.	S/S EQUIPMENT STANDS	MODEL	Lbs.	(kg)
AMSQ-30	30"	27 1/8"	18"	1	30,000	9		300	137	QESS-30	70	(32)	
AMSQ-36	36"	27 1/8"	18"	1	30,000	9		345	157	QESS-36	82	(37)	
AMSQ-48	48"	27 1/8"	18"	1	30,000	9		405	184	QESS-48	95	(43)	
AMSQ-60	60"	27 1/8"	18"	2	60,000	18		455	206	QESS-60	102	(46)	

- Casters for stands (set of 4) A35104
- Casters for stands (set of 6) A35105

STANDARD FEATURES

- Rugged Stainless Steel body.
- Built-in gas log lighter burner with adjustable gas valve and standing pilot for instant ignition.
- Large Stainless Steel door with handle located on front of the broiler allows easy loading and moving of wood and charcoal.
- Open bottom grate design allows continuous updraft for optimum fuel combustion.
- Heavy duty fire box is lined with refractory bricks (fire bricks) that keeps its strength at high heat and protects the interior from burn out.
- Heavy duty cast iron top grates provide attractive broiler markings.
- Broiler may use any type of wood or charcoal.
- **Requires either (set of 4) 6" adjustable legs or stainless steel Long and Short Equipment Stands (ordered separately).**
- One year limited warranty.

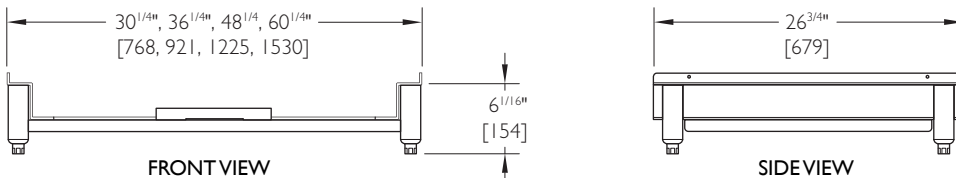
OPTIONAL FEATURES

- Top grate made from 1" (12) round steel rod, welded for durability.
- Optional open top stand.
- 6" (152) counter legs.
- Quick disconnect and flexible gas hose.

BROILERS

- Burners are built-in gas log lighter with adjustable gas valve and standing pilot for instant ignition.
- Heavy duty round-rod section grates for attractive markings on food.
- Bottom grate: Open bottom grate allows continuous updraft for optional fuel combustion.
- Drip Pan: Removable deep drip pan at the bottom for convenient cleaning of ash and debris.
- Cleaning: Easy cleaning of all grates and inner liner, no tools required.
- Removable Liner: Heavy duty liner protects the interior from burn out and is easy to replace when needed.

SCALE: NOT TO SCALE



Optional S/S Short Equipment Stand with Adjustable Legs.

GAS SUPPLY: 3/4" NPT Gas inlet 7" to 9" W.C., Manifold pressure is 5.0" W.C. for natural gas, or 11" - 12" Manifold pressure is 10.0" W.C. for propane gas. Specify type of gas and altitude if over 2000 feet.

CLEARANCES: NON-COMBUSTIBLE LOCATIONS ONLY.

*The American Range Company continually improves its products and reserves the right to change materials, specifications and dimensions without notice.

This unit is manufactured for commercial use only.