



BLAKESLEE

Rack-Type Dishwashers

A DIVISION OF THE LEGACY COMPANIES

The Ultimate Cleaning Machines!



Single Tank
Single Tank with Pre-Wash
Two Tank



Two Tank with Pre-Wash
Three Tank
Rack-A-Round Systems

Commercial Dishwashing & Kitchen Equipment...SINCE 1880!



BLAKESLEE

Rack-Type Dishwashers...

A DIVISION OF THE LEGACY COMPANIES

Blakeslee invented the first commercial dishwashers, so it is no surprise that we lead the industry with rack dish machine designs that are more durable, energy and water efficient, easier to use and just more productive...by design!

Blakeslee Durability...

Blakeslee dishwashers are designed and manufactured in America's Heartland to the highest performance and reliability standards, with the best materials available, by skilled craftsmen proud of our heritage of innovation and quality! Compare these standard construction features:

- A patented Integrated Recirculating System [I.R.S.] eliminates external pumps, risers and plumbing, and the maintenance that comes with them.
- We manufacture our own self-draining stainless steel one-piece pump-manifolds, with stainless impellers.
- One piece welded spray pipes and spray boxes won't clog or need replacement
- An all stainless steel main frame provides tank stability and extra strength.
- The maintenance-free all-stainless dual pawl drive is designed to resist any jam, without damage.
- Slide-out, heavy-duty sectional scrap screens cover each tank.

Blakeslee Efficiency...

The Blakeslee Quick-Start Plus Consumption Saver reduces water usage and the energy used to heat wash and pre-wash water by:

- Initially filling the Rinse Tank with both 140 and 180° F water;
- Then pumping it into the Wash Tank at about 160° F.
- An overflow fills the Pre-Wash Tank from the Wash Tank.
- Makeup water is also pumped from the Rinse Tank. Cleaning water and its heat energy is recycled and used in all tanks.
- "Economizer" rack sensor system reduces rinse water usage
- When steam is available, steam injection or steam coil heated models can be

- **Lower 57.5" Overall Unit Height...For easy unit cleaning, plus an unobstructed view in the dishroom!**

- **Optional Machine Mounted Electric Water Booster Heater.**

specified to reduce water-heating costs.

- Photo sensor activated final rinse. No moving parts and it saves water.

Blakeslee Performance...

Dishmachines need to clean and sanitize all dishes and glassware, while handling peak load requirements. Blakeslee rack-type dishwashers outperform competitive models, with:

- Upper spray pipes and lower "Sani-Stream" spray boxes deliver torrential spray volume and complete coverage, for more effective cleaning action
- Our Quick-Start System reduces the initial waiting time for all tanks to come up to temperature.
- Quick-Start Plus Consumption Saver means 160° F water is used in the Wash Tank [not 140° F], which helps cut grease and improves cleaning action.

Blakeslee Ease of Use...

Safety and better working conditions are key to employee efficiency and reducing staff turnover. Blakeslee Rack-Type Dishwashers are easier to load, unload, clean and maintain.



- Our lower 57H" overall unit height doesn't block the view and is easier to clean.
- 30" wide doors provide easy access for tank cleaning
- Upper spray manifolds and lower spray boxes are easy to remove for cleaning.
- Safety cut-off switches are provided on all doors.
- Stainless steel Control Panel Enclosure is mounted at eye-level, above unit.



- **Final Rinse Economizer...** Only activates Final Rinse Spray when racks are present!
- **Stainless Steel Dual-Pawl Drive...** Designed to eliminate jams and protect the conveyor drive!
- **Patented I.R.S. Distribution System...** All recirculated water systems are "pumpless" and integrated into the tank module.
- **All Stainless Steel Main Frame...** Resists corrosion in damp dishrooms and provides years of trouble-free service!

Blakeslee Design Flexibility...

A Blakeslee Rack-Type Dishwashing System can be designed to fit the space, layout and structural constraints of any dishroom. They can be sized to meet your peak demand for clean ware, with:

- One, two or three tank models, plus Pre-wash combinations
- Multiple modular tank sizes [lengths] to match dishroom space, dish capacity and budget requirements [See Model/Sizing Guide, Page 4]
- Choice of electric, gas or steam [coil or injection] Tank Heating;

Available OPTIONS include:

- An electric machine-mounted or steam heated Water Booster Heater.
- Single point utility connections to speed and simplify installation.
- Power side loaders and unloaders.

Standard Blakeslee unit design provides flexibility with:

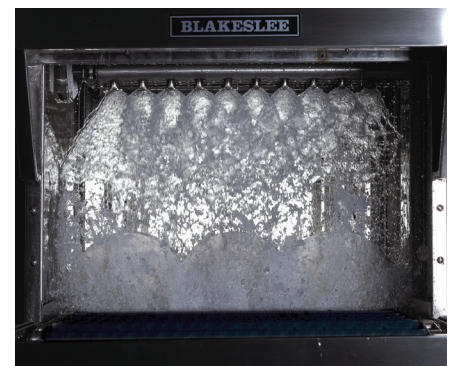
- Modular tank design to fit any space, any need and any budget.
- 34" work height allows end or side mounting of 34" high dish tables on Load and Unload side.



Large 30" wide lift-up/off tank doors provide easy access for tank and component cleaning.



One piece lower spray box and upper manifolds have no loose parts and are easy to remove for cleaning.



Top and bottom mounted water jets provide torrential cleaning & rinse action.



All stainless steel frame construction for durability and bolt-on stainless legs for installation flexibly.

Blakeslee Rack-Type Model & Sizing Guide:

2" and 4" Tank Extensions are available to fit or match an existing unit or specification.

Model Number	Number & Type of Tank Modules	Total Tank Length*	Wash Tank Capacity	Racks per Hour
R-L-40	Single [Wash]	40"	23.6 gallons	198
R-M-50	Single [Wash]	50"	28.5 gallons	198
R-PL-64	Single [Wash], w/Pre-Wash	64"	23.6 gallons	198
R-PM-74	Single [Wash], w/Pre-Wash	74"	28.5 gallons	198
R-CC-64	Two Tanks: Wash & Rinse	64"	19.2 gallons	255
R-EE-72	Two Tanks: Wash & Rinse	72"	21.6 gallons	255
R-LL-80	Two Tanks: Wash & Rinse	80"	23.6 gallons	255
R-MM-100	Two Tanks: Wash & Rinse	100"	28.5 gallons	255
R-PCC-88	Two [Wash & Rinse], w/Pre-Wash	88"	19.2 gallons	255
R-PEE-96	Two [Wash & Rinse], w/Pre-Wash	96"	21.6 gallons	255
R-PLL-104	Two [Wash & Rinse], w/Pre-Wash	104"	23.6 gallons	255
R-PMM-124	Two [Wash & Rinse], w/Pre-Wash	124"	28.5 gallons	255
R-EEE-108	Three Tanks: Pre-Wash, Wash & Rinse	108"	21.6 gallons	255
R-LLL-120	Three Tanks: Pre-Wash, Wash & Rinse	120"	23.6 gallons	255
R-MMM-150	Three Tanks: Pre-Wash, Wash & Rinse	150"	28.5 gallons	255

*Without soiled or clean side dish tables.

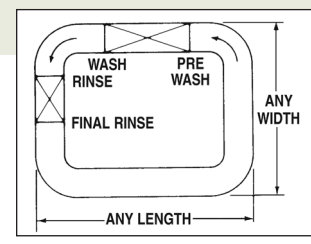
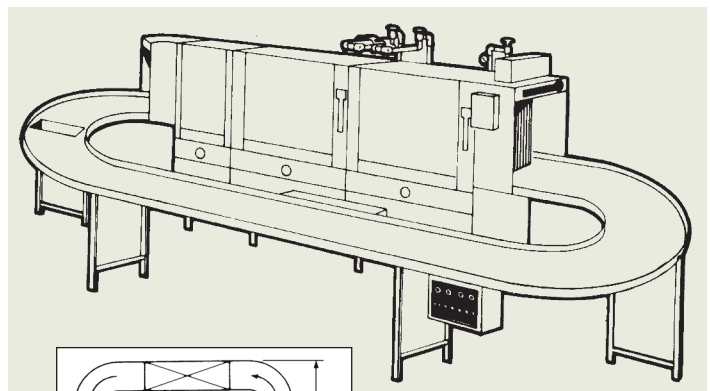
Custom Rack-A-Round Dishwashing Systems...

Blakeslee Rack-A-Round Systems integrate our modular rack-type sections in a continuous, closed loop configuration that can be designed as a compact oval, a square, a rectangle, even a triangle. Any of these conveyor configurations provide more rack staging area or can be used to separate loading areas, unloading areas and machine location in different rooms. If multi-tank warewashers are too long for a single side, Pre-Wash, Wash or Rinse Modules can be positioned on different sides. (See example in diagram.) We can help you design a Rack-A-Round System that is ideal for you!

Blakeslee Design Assistance, Project Support...AND Post-Sale Service!

Blakeslee's team of in-house customer care specialists, project design engineers and manufacturer's representatives can assist you with system sizing and model selection. Trained Blakeslee service technicians, backed by factory technical support teams, are available to help install and repair all Blakeslee dish machines.

Blakeslee is: Small enough to respond...BIG enough to perform!



Typical Rectangular Configuration with separate Wash & Rinse Tanks.

