



A Division Of The Legacy Companies

Model XC-15 & XC-15-T

Potato & Vegetable Peeler - Floor Type

DISCHARGE CAN BE DIRECTLY INTO A SINK.

A "T" IN MODEL NO. INDICATES "TIMER" INCLUDED WITH MODEL XC-15T.

CAPACITY

15 lbs. 7 kg to 20 lbs. 9 kg, 1 to 3 minutes. One peeling cycle will serve 45 to 50 persons when potatoes are mashed in a Blakeslee Food Mixer.

CONSTRUCTION

Entire machine is constructed of stainless steel. Discharge chute and hinged door are of rust-free, easy to clean aluminum. Removable cover is light weight, easy to clean, molded polystyrene. Motor and drive unit are "sealed off" against moisture to assure trouble-free performance. Entire peeling chamber can be adjusted to any position to insure both the peel trap strainer basket and discharge chute are in the proper position for ease of operation. This can be done without use of any special tools by easily lifting and turning the peeling chamber.

DISCHARGE CHUTE

Discharge chute is rust-free, easy to clean aluminum. The hinged aluminum door is not furnished with a gasket so fingertip ease is all that is required to open and close door. A trough is furnished in the discharge chute to catch seepage returning it to the machine. The combination of the trough and the door without a gasket eliminates any future problem of a gasket wearing out and water seeping past the door. Door is light-weight and is self-closing when released from the open position. Discharge chute is 36 1/4" 920 mm to 38 3/4" 985 mm from floor based on adjustment of feet (discharge can be directly into sink).

MOTOR

1/3 H.P., grease-packed, ball bearing, ventilated motor. Available for operation on 115/230 volt, 60 cycle, 1 phase.

SWITCH

Flush mounted toggle switch is located at side of machine. If desired, for convenience sake, this switch can be easily moved to the opposite side of the machine without any special tools for modification of machine enclosure.

TIMER

Splash proof timer furnished (in single phase only). Timer adjustment from 0 to 5 minutes and has a "hold" position for continuous machine operation.

DRIVE

Dual V-belt drive provides proper speed reduction between the motor and the abrasive peeling disc for proper and efficient peeling action. V-belts furnished are of standard size so if replacement is necessary, these are readily available at local hardware stores or gas stations. Belt adjustment or replacement can be accomplished without dismantling the machine. Stainless steel drive shaft is mounted on sealed, splash proof, self-lubricating ball bearings. Design of the machine, coupled with seal system, insures water tight drive area.

Project Name:	
Location:	
Item:	Qty:
Model:	



ABRASIVE DISC

A heavy duty, rust-free cast aluminum abrasive peeling disc is furnished. Abrasive carborundum is permanently cast into the disc. Aluminum provides proper strength for long life, yet is light in weight for ease in removal.

PEEL TRAP

A deluxe stainless steel peel trap strainer basket is included as standard equipment. Stainless steel insures resistance to rust and eliminates possibility of necessary replacement in the future; also provides necessary strength to resist daily abuse through cleaning.

APPROX. SHIPPING WEIGHTS

Domestic crated	160 lbs. 73 kg	Export cube	33.4 ft. .95m ³
Export crated	189 lbs. 86 kg	(L32",	W29", H62")
Export boxed	200 lbs. 91 kg	813 mm	736 mm 1575 mm

HEAVY-DUTY, RUST-FREE STAINLESS STEEL CONSTRUCTION

This is mighty important for the kitchen where time, work, and food savings are a must. Peel 15 lbs. 7 kg to 20 lbs. 9 kg of potatoes in little more than 1 minute . . . get perfectly peeled and washed, hardcore vegetables ready for further preparation. And famed Blakeslee Quality is backed up by a

FULL YEAR WARRANTY

ALL NEW BLAKESLEE-BUILT VEGETABLE PEELERS ARE WARRANTED FOR ONE YEAR FROM DATE OF ORIGINAL INSTALLATION AGAINST DEFECTS IN MATERIALS OR WORKMANSHIP. SUCH DEFECTS WILL BE ADJUSTED FREE OF PARTS AND SERVICE CHARGES.



A Division Of The Legacy Companies

Model XC-15 & XC-15-T

Potato & Vegetable Peeler - Floor Type

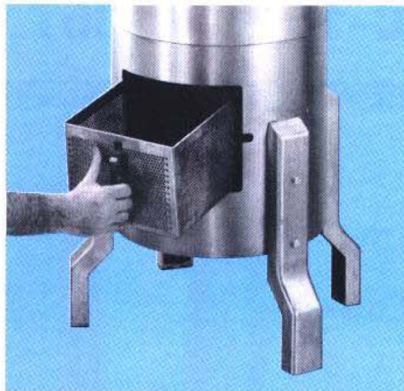
Compare Blakeslee feature for feature with any other make of peeler...



EASY-TO-CLEAN, CAST ALUMINUM DISCHARGE CHUTE

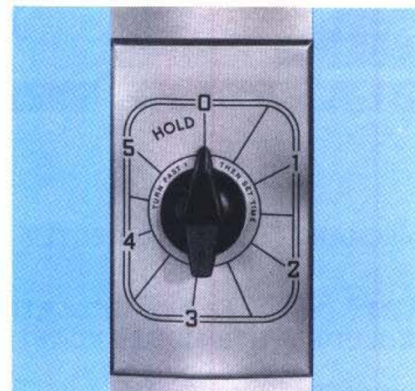
Hinged door operates with fingertip ease. Door requires no gaskets — eliminating gasket wearout with resulting water seepage past the door. Trough furnished in discharge chute to catch seepage, returning it to machine. Door is self-closing when released from open position.

Reinforced rim of peeling chamber and water spigot are precision-built to withstand hardest service without impairment. Another example of extra-value Blakeslee design and engineering.



DELUXE STAINLESS STEEL STRAINER BASKET

Is standard equipment. Easy to clean out. It's extra large, sturdy. Slides in and out of chamber effortlessly.



SPLASHPROOF TIMER HAS ADJUSTMENT

From 0 to 5 minutes and has a "hold" position for continuous machine operation. (Can be furnished in place of switch in 60-cycle, single phase motor only at slight additional charge.)

Model XC-15T furnished with a timer with a 0 to 5 minute adjustment and a "hold" position for continuous operation. (Single phase only)

Model XC-15 supplied with a "on and off" switch in lieu of timer (Single phase only)

