

BUNN[®]

IMIX[®]-4

IMIX[®]-5



ILLUSTRATED PARTS CATALOG

Designs, materials, weights, specifications, and dimensions for equipment or replacement parts are subject to change without notice.

BUNN-O-MATIC CORPORATION

POST OFFICE BOX 3227

SPRINGFIELD, ILLINOIS 62708-3227

PHONE: (217) 529-6601 FAX: (217) 529-6644



BUNN-O-MATIC COMMERCIAL PRODUCT WARRANTY

Bunn-O-Matic Corp. ("BUNN") warrants equipment manufactured by it as follows:

- 1) Airpots, thermal carafes, decanters, GPR servers, iced tea/coffee dispensers, MCP/MCA pod brewers thermal servers and Thermofresh servers (mechanical and digital)- 1 year parts and 1 year labor.
- 2) All other equipment - 2 years parts and 1 year labor plus added warranties as specified below:
 - a) Electronic circuit and/or control boards - parts and labor for 3 years.
 - b) Compressors on refrigeration equipment - 5 years parts and 1 year labor.
 - c) Grinding burrs on coffee grinding equipment to grind coffee to meet original factory screen sieve analysis - parts and labor for 4 years or 40,000 pounds of coffee, whichever comes first.

These warranty periods run from the date of installation BUNN warrants that the equipment manufactured by it will be commercially free of defects in material and workmanship existing at the time of manufacture and appearing within the applicable warranty period. This warranty does not apply to any equipment, component or part that was not manufactured by BUNN or that, in BUNN's judgment, has been affected by misuse, neglect, alteration, improper installation or operation, improper maintenance or repair, non periodic cleaning and descaling, equipment failures related to poor water quality, damage or casualty. In addition, the warranty does not apply to replacement of items subject to normal use including but not limited to user replaceable parts such as seals and gaskets. This warranty is conditioned on the Buyer 1) giving BUNN prompt notice of any claim to be made under this warranty by telephone at (217) 529-6601 or by writing to Post Office Box 3227, Springfield, Illinois 62708-3227; 2) if requested by BUNN, shipping the defective equipment prepaid to an authorized BUNN service location; and 3) receiving prior authorization from BUNN that the defective equipment is under warranty.

THE FOREGOING WARRANTY IS EXCLUSIVE AND IS IN LIEU OF ANY OTHER WARRANTY, WRITTEN OR ORAL, EXPRESS OR IMPLIED, INCLUDING, BUT NOT LIMITED TO, ANY IMPLIED WARRANTY OF EITHER MERCHANTABILITY OR FITNESS FOR A PARTICULAR PURPOSE. The agents, dealers or employees of BUNN are not authorized to make modifications to this warranty or to make additional warranties that are binding on BUNN. Accordingly, statements by such individuals, whether oral or written, do not constitute warranties and should not be relied upon.

If BUNN determines in its sole discretion that the equipment does not conform to the warranty, BUNN, at its exclusive option while the equipment is under warranty, shall either 1) provide at no charge replacement parts and/or labor (during the applicable parts and labor warranty periods specified above) to repair the defective components, provided that this repair is done by a BUNN Authorized Service Representative; or 2) shall replace the equipment or refund the purchase price for the equipment.

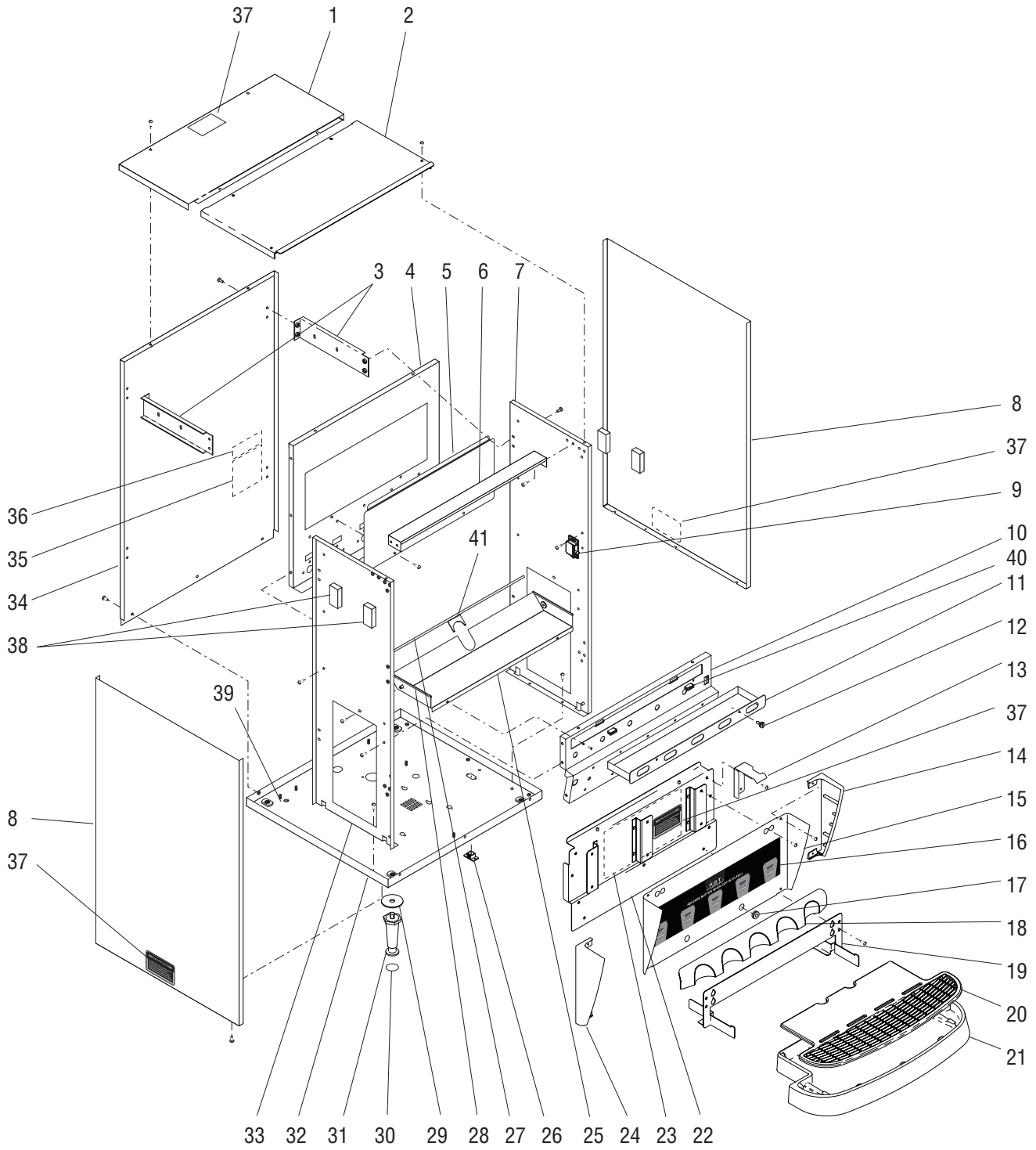
THE BUYER'S REMEDY AGAINST BUNN FOR THE BREACH OF ANY OBLIGATION ARISING OUT OF THE SALE OF THIS EQUIPMENT, WHETHER DERIVED FROM WARRANTY OR OTHERWISE, SHALL BE LIMITED, AT BUNN'S SOLE OPTION AS SPECIFIED HEREIN, TO REPAIR, REPLACEMENT OR REFUND.

In no event shall BUNN be liable for any other damage or loss, including, but not limited to, lost profits, lost sales, loss of use of equipment, claims of Buyer's customers, cost of capital, cost of down time, cost of substitute equipment, facilities or services, or any other special, incidental or consequential damages.

392, A Partner You Can Count On, AutoPOD, AXIOM, BrewLOGIC, BrewMETER, Brew Better Not Bitter, BrewWISE, BrewWIZARD, BUNN Espresso, BUNN Family Gourmet, BUNN Gourmet, BUNN Pour-O-Matic, BUNN, BUNN with the stylized red line, BUNNlink, Bunn-OMatic, Bunn-O-Matic, BUNNserve, BUNNSERVE with the stylized wrench design, Cool Froth, DBC, Dr. Brew stylized Dr. design, Dual, Easy Pour, EasyClear, EasyGard, FlavorGard, Gourmet Ice, Gourmet Juice, High Intensity, iMIX, Infusion Series, Intellisteam, My Café, Phase Brew, PowerLogic, Quality Beverage Equipment Worldwide, Respect Earth, Respect Earth with the stylized leaf and coffee cherry design, Safety-Fresh, savemycoffee.com, Scale-Pro, Silver Series, Single, Smart Funnel, Smart Hopper, SmartWAVE, Soft Heat, SplashGard, The Mark of Quality in Beverage Equipment Worldwide, ThermoFresh, Titan, trifacta, Velocity Brew, Air Brew, Air Infusion, Beverage Bar Creator, Beverage Profit Calculator, Brew better, not bitter., BUNNSource, Coffee At Its Best, Cyclonic Heating System, Daypart, Digital Brewer Control, Element, Nothing Brews Like a BUNN, Pouring Profits, Signature Series, Tea At Its Best, The Horizontal Red Line, Ultra are either trademarks or registered trademarks of Bunn-O-Matic Corporation. The commercial trifacta® brewer housing configuration is a trademark of Bunn-O-Matic Corporation.

TABLE OF CONTENTS

TITLE	PAGE NO.
Auger Drive and Hopper Assembly	16
Covers, Panels and Drip Tray	4
Dispense Valves and Lines.....	24
Door, Lamp, Dispense Switches and Panels (Right & Left Hinged Doors).....	8
Door, Lamp, Dispense Switches and Panels (Top Hinged Doors)	12
Electrical Controls	26
Mixing/Whipper Chambers and Drive Motor	22
Numerical Index.....	30
Tank, Heater and Overflow Protection	20



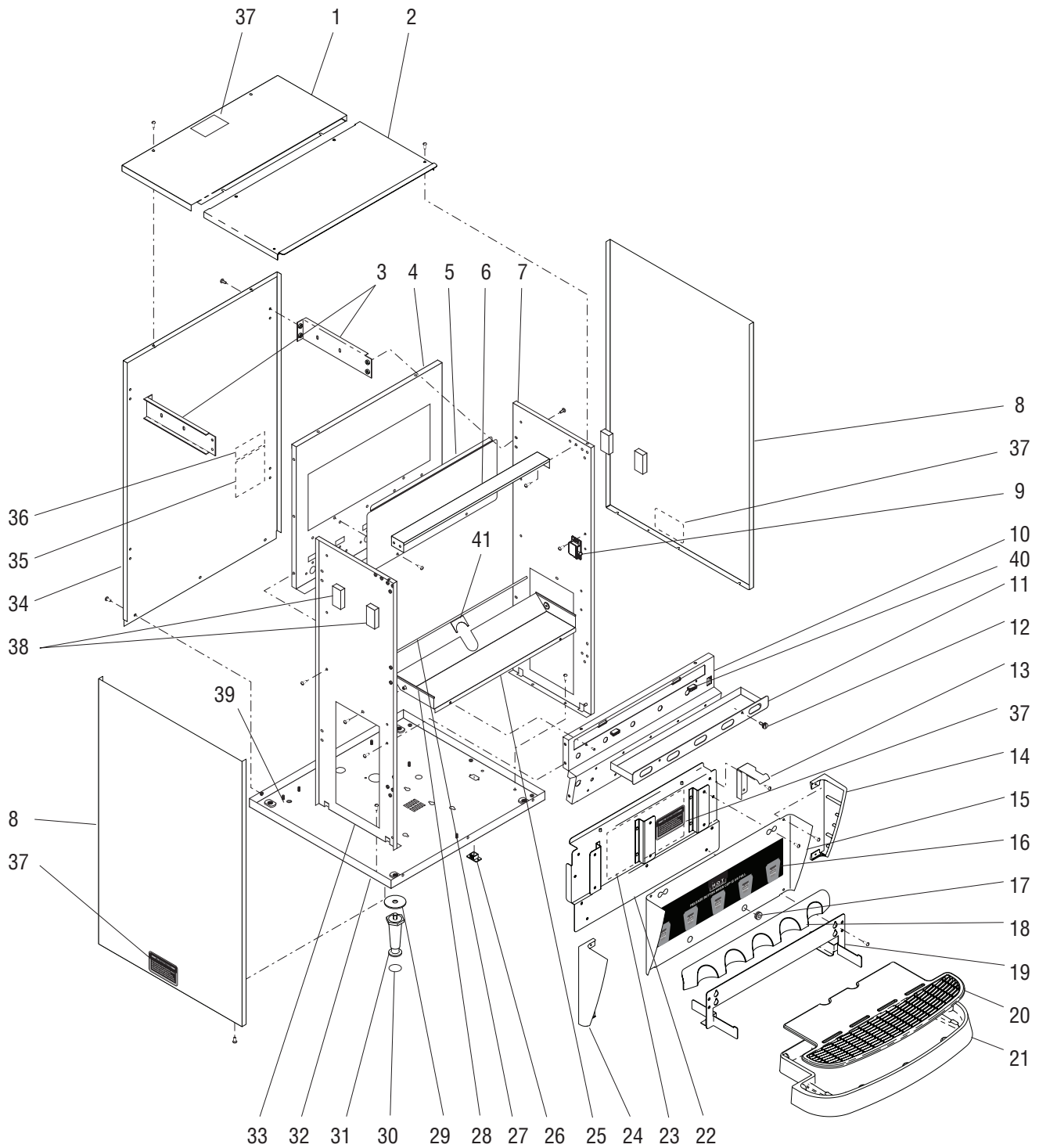
COVERS, PANELS AND DRIP TRAY

ITEM	PART NO.	QTY.	DESCRIPTION
1	35916.1001	1	Cover, Top Rear - BLK (Includes item 37)
	01311.0003	2	Screw, Truss Head BLK #8-32 x .25"
2	35915.1001	1	Cover, Top Front - BLK (Models w/ Left or Right Hinged Doors)
	42471.1001	1	Cover, Top Front - BLK (Models w/ Top Hinged Doors)
	01311.0003	2	Screw, Truss Head BLK #8-32 x .25"
	01382.0002	2	Screw, Truss Head BLK #6-32 x .375"
3	35926.0000	4	Bracket, Side Support
	01311.0001	8	Screw, Truss Head - Locking #8-32 x .25"
4	35927.0000	1	Panel, Inner Rear (IMIX-5 models)
	35927.0001	1	Panel, Inner Rear (IMIX-4 models w/ Left or Right Hinged Doors)
	35927.0005	1	Panel, Inner Rear (IMIX-4 models w/ Top Hinged Doors)
	01311.0001	6	Screw, Truss Head - Locking #8-32 x .25"
5	36232.0000	1	Panel, Inner Access
	01311.0000	2	Screw, Truss Head #8-32 x .25"
6	36648.0000	1	Strap, Top Support (Models w/ Left or Right Hinged Doors)
	42598.1001	1	Bracket, Top Support (Models w/ Top Hinged Doors)
	01311.0001	4	Screw, Truss Head - Locking #8-32 x .25"
7	36230.0001	1	Panel, Inner Right (Models w/ Left or Right Hinged Doors)
	36230.0003	1	Panel, Inner Right (Models w/ Top Hinged Doors)
	01311.0001	2	Screw, Truss Head - Locking #8-32 x .25"
8	35912.1001	2	Panel, Side (Models w/ Left or Right Hinged Doors)
	35912.1012	1	Panel, Right Side (Models w/ Top Hinged Doors)
	35912.1014	1	Panel, Left Side (Models w/ Top Hinged Doors)
	01311.0003	6	Screw, Truss Head BLK #8-32 x .25"
9	34666.0000	1	Catch, Door Latch
	02336.0000	2	Screw, Truss Head #4-40 x .375"
	01509.0001	2	Lockwasher, Int.-tooth #4
10	35929.0004	1	Panel, Whipper Motor (IMIX-5 models)
	35929.0007	1	Panel, Whipper Motor (IMIX-5 models with Hot Water Dispense)
	35929.0005	1	Panel, Whipper Motor (IMIX-4 models)
	01311.0001	6	Screw, Truss Head - Locking #8-32 x .25"
11	36235.0000*	1	Tray, Powder Box (IMIX-5 models)(Models w/ Screw)
	36235.0002	1	Tray, Powder Box (IMIX-5 models)(Models w/ Magnet Catch)
	36235.0001	1	Tray, Powder Box (IMIX-4 models)(Models w/ Screw)
	36235.0003	1	Tray, Powder Box (IMIX-4 models)(Models w/ Magnet Catch)
12	37988.0000	2	Screw, Captive #10-32 x .50" (Early Models)
	34998.0000	2	E-Ring, Retaining .127" OD
13	36644.0000	1	Bracket, Door Locking (Right side)
	36644.0001	1	Bracket, Door Locking (Left side)
	01311.0001	2	Screw, Truss Head - Locking #8-32 x .25"
14	36743.0001	1	Cap, Splash Panel Right
	44224.0000	2	Screw, Pan Head Plastite #6 x .375"
15	37180.1000	1	Panel W/Decal (IMIX-5 models)(Includes items 14, 16-18 & 24)
	37180.1001	1	Panel W/Decal (IMIX-4 models)(Includes items 14, 16-18 & 24)(Self Serve Models)
	37180.1002	1	Panel W/Decal (IMIX-4 models)(Includes items 14, 16-18 & 24)(Portion Control)
16	28328.0010	1	Decal, Caution-Hot Liquid & Cup Placement (IMIX-5 models)
	28328.0012	1	Decal, Caution-Hot Liquid & Cup Placement (IMIX-4 models)(Self Serve Models)
	28328.0014	1	Decal, Caution-Hot Liquid & Cup Placement (IMIX-4 models)(Portion Control)
	28328.0017	1	Decal, Caution-Hot Liquid & Cup Placement (IMIX-5 models w/Hot Water Dispense)

(Continued)

* Indicates the part number listed is for reference only. See DESCRIPTION for possible service replacement.

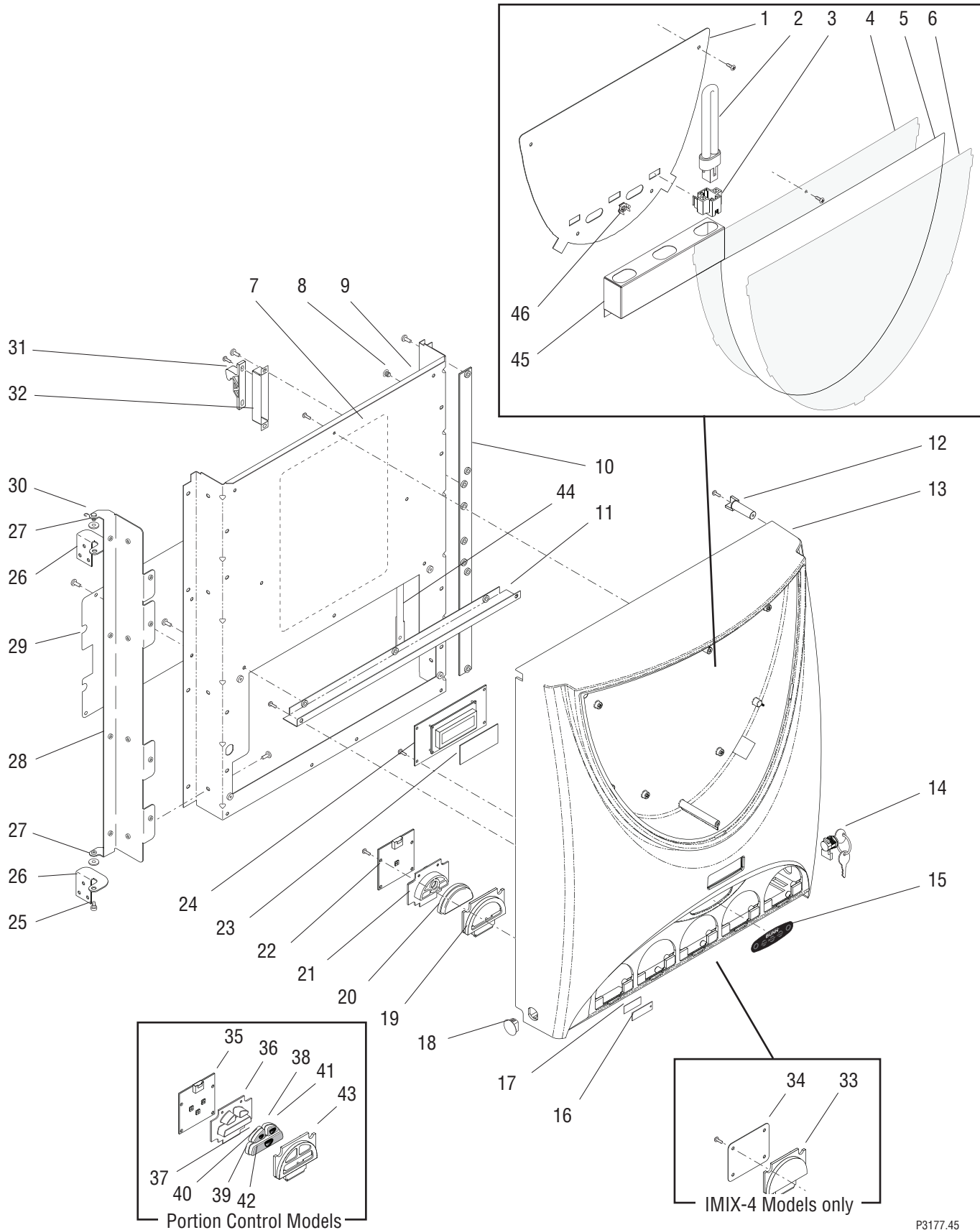
(Continued)



COVERS, PANELS AND DRIP TRAY

ITEM	PART NO.	QTY.	DESCRIPTION
17	02536.0000	2	Grommet, Silicone .375" ID
18	36742.0000	1	Guide, Cup (IMIX-5 models)
	36742.0001	1	Guide, Cup (IMIX-4 models)
19	37065.0000	1	Bracket, Drip Tray
	01311.0001	2	Screw, Truss Head - Locking #8-32 x .25"
20	36739.0000	1	Cover, Drip Tray
21	36670.0000	1	Drip Tray
22	36224.1002	1	Panel, Lower Access (Includes item 23)(Right Hinged Door)
	36224.1003	1	Panel, Lower Access (Includes item 23)(Left Hinged Door)
	01311.0000	3	Screw, Truss Head #8-32 x .25"
23	37262.0001	1	Schematic 120V
	37262.0002*	1	Schematic 230V
24	36743.0000	1	Cap, Splash Panel Left
	44224.0000	2	Screw, Pan Head Plastite #6 x .375"
25	36240.0001	1	Shelf, Powder Box
	01311.0001	2	Screw, Truss Head - Locking #8-32 x .25"
	02336.0000	2	Screw, Truss Head #4-40 x .375"
26	36398.0000	1	Plug, Hole DB-9 (Early Models)
27	02434.0018*	1	Gasket, U-Channel 17.5" (Order item 43)
28	02434.0008*	2	Gasket, U-Channel 4.60" (Order item 43)
29	01526.0001	4	Washer, Flat .438" ID x 1.88" OD
30	03996.0000	4	Pad, Rubber 1.25" Dia. (Also see item 42)
31	26528.0000	4	Leg, 4.0" Adjustable (Also see item 42)
32	35924.0000	1	Panel, Bottom
33	36229.0001	1	Panel, Inner Left (Models w/ Left or Right Hinged Doors)
	36229.0003	1	Panel, Inner Left (Models w/ Top Hinged Doors)
	01311.0001	2	Screw, Truss Head - Locking #8-32 x .25"
34	35925.1001	1	Panel Assembly, Rear (Includes items 35 and 36)
	01311.0003	11	Screw, Truss Head BLK #8-32 x .25"
35	00831.0000	1	Decal, Warning-Electrical
36	00656.0001	1	Decal, Comply to Plumbing Code
37	37881.0000	4	Decal, No Serviceable Parts
38	36896.0000	4	Pad, Adhesive Back
39	00824.0002	1	Decal, Grounding
40	21436.0000	2	Catch, Magnetic (Late Models)
41	38345.0000	1	Filler Plate
42	13255.0003	-	Kit, Leg 4.0" Adjustable (Includes 4 each of items 30 & 31)
43	02434.1000	-	Gasket, U-Channel - 18" LG
	02434.1001	-	Gasket, U-Channel - 36" LG

* Indicates the part number listed is for reference only. See DESCRIPTION for possible service replacement.



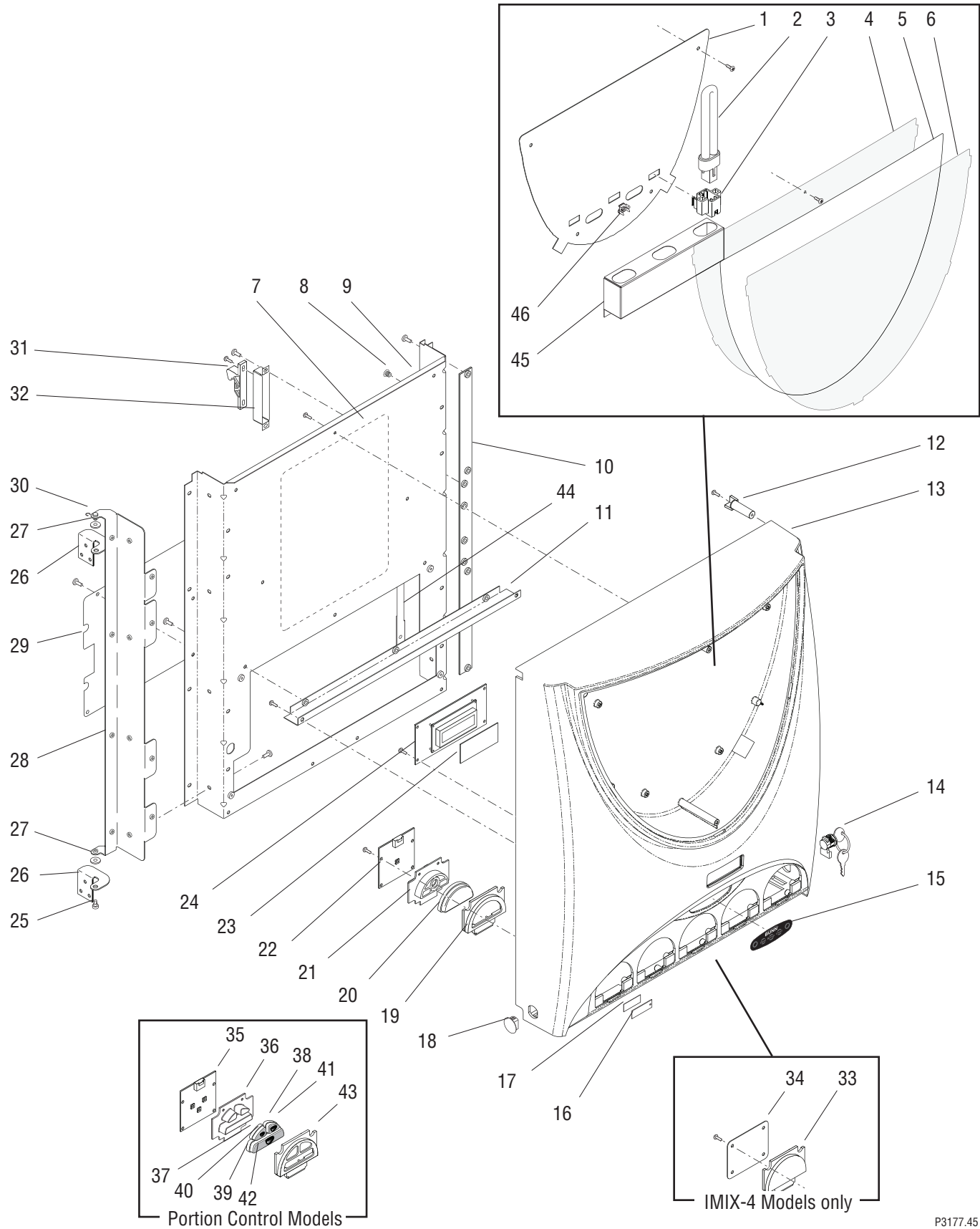
**DOOR, LAMP, DISPENSE SWITCHES AND PANELS
(LEFT & RIGHT HINGED DOORS)**

ITEM	PART NO.	QTY.	DESCRIPTION
1	36656.0003 44224.0000	1 4	Panel, Lamp Screw, Pan Head Plastite #6 x .375"
2	32806.0000	3	Lamp, Fluorescent - 7 Watts
3	32807.0001	3	Lamp Holder, Fluorescent
4	36650.0000 02336.0000	1 2	Lens, Fixed Screw, Truss Head #4-40 x .375"
5	36768.0000 36768.0005	1 1	Display, Graphics Display, Iced Coffee Graphics
6	36662.0000	1	Lens, Removable
7	37254.0000	1	Decal, Cleaning
8	36149.0000	8	Fastener, Snap-in .197" Hole
9	36667.1000 36667.1002 44224.0000 01311.0001	1 1 10 19	Panel, Door - Upper (Includes item 7)(Right Hinged Doors) Panel, Door - Upper (Includes item 7)(Left Hinged Doors) Screw, Pan Head Plastite #6 x .375" Screw, Truss Head Locking #8-32 x .25"
10	36658.0000	1	Flange, Door
11	36734.0000* 44224.0000	1 2	Bracket, Inner Panel Screw, Pan Head Plastite #6 x .375"
12	36244.0000 44224.0000	1 1	Plug, Door Hinge Screw, Pan Head Plastite #6 x .375"
13	37096.0000	1	Door
14	32863.1000 28095.0000	1 1	Keylock W/Keys, Door Key Set
15	36231.0000 36231.0001 36231.0003	1 1 1	Switch, Membrane Program (Self Serve Models) Switch, Membrane Program (Portion Control) Switch, Membrane Program (IMIX-5 models with Hot Water Dispense)
16	36795.0000	4/5	Strip, Flavor Adhesive
17	36796.0001	4/5	Strip, Flavor Door
18	00669.0004	1	Plug, .75" x .625" hole
19	36762.0000	4/5	Switch Housing, Single Button (Self Serve Models)
20	36761.0000	4/5	Cover, Switch (Self Serve Models)
21	36763.0000	4/5	Switch Pad, Single Button (Self Serve Models)
22	37672.1000 44224.0000	4/5 20	Circuit Board Assy, Dispense Button (Self Serve Models) Screw, Pan Head Plastite #6 x .375"
23	37013.0000	1	Cover, LCD Door Lens
24	36147.1000 38962.1000 44224.0000	1 1 4	Circuit Board Assy, Display Circuit Board Assy, Display (RoHS Compliant) Screw, Pan Head Plastite #6 x .375"
25	24457.0002	1	Screw, .25" Shoulder #8-32
26	36647.0000 36647.0001 01311.0001	2 2 6	Bracket, Hinge (Right side Hinge) Bracket, Hinge (Left side Hinge) Screw, Truss Head #8-32 x .25" Locking
27	34362.0000	2	Bushing, Hinge

(Continued)

* Indicates the part number listed is for reference only. See DESCRIPTION for possible service replacement.

(Continued)



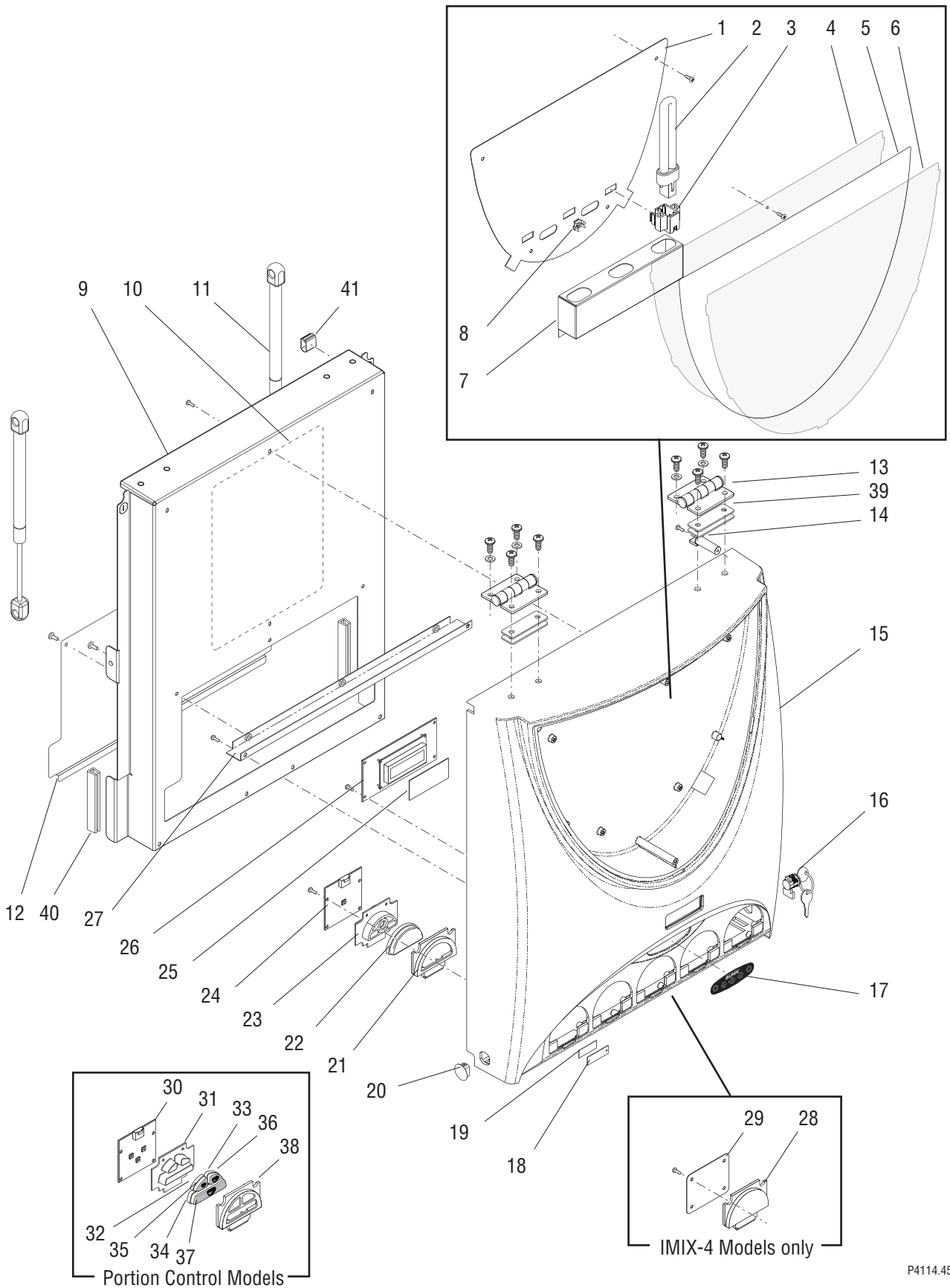
DOOR, LAMP, DISPENSE SWITCHES AND PANELS (LEFT & RIGHT HINGED DOORS)

ITEM	PART NO.	QTY.	DESCRIPTION	
28	36661.0002	1	Flange, Door Hinge (Left side Hinge)	
	36661.0000	1	Flange, Door Hinge (Right side Hinge)	
29	36659.0002	1	Panel, Door - Lower	
	01311.0000	4	Screw, Truss Head #8-32 x .25"	
30	01403.0000	1	E-Ring, External .188" Shaft	
31	34667.0000	1	Keeper, Door Latch	
	02336.0000	2	Screw, Truss Head #4-40 x .375"	
32	36669.0000	1	Bracket, Keeper Mounting	
	01311.0001	2	Screw, Truss Head #8-32 x .25" Locking	
33	36762.0004	1	Switch Housing, Blank	} IMIX-4 Models only
34	37615.0000	1	Plate, Blank Housing	
	44224.0000	4	Screw, Pan Head Plastite #6 x .375"	
35	35877.1002	3	Circuit Board Assy, Dispense Button (Portion Control Models)	
	38963.1000	3	Circuit Board Assy, Dispense Button (Portion Control Models)(RoHS Compliant)	
	44224.0000	12	Screw, Pan Head Plastite #6 x .375"	
36	36763.0002	4/5	Switch Pad, Three Button (Portion Control Models)	
37	36761.0003	4/5	Switch Cover, Small (Portion Control Models)	
38	36761.0004	4/5	Switch Cover, Medium (Portion Control Models)	
39	36761.0002	4/5	Switch Cover, Large (Portion Control Models)	
40	37823.0000*	4/5	Inlay, Switch Cover, Small (Portion Control Models)	
41	37823.0001*	4/5	Inlay, Switch Cover, Medium (Portion Control Models)	
42	37823.0002*	4/5	Inlay, Switch Cover, Large (Portion Control Models)	
43	36762.0002	4/5	Switch Housing, Three Button (Portion Control Models)	
44	40031.1000	1	Baffle Kit, Left Hand Hinge	
	40031.1001	1	Baffle Kit, Right Hand Hinge	
45	40032.0001	1	Bracket	
46	28335.0000	1	Clip. Grounding	

NOTE: The following items are not illustrated

47	26444.0000	2	Bushing, Strain Relief
48	36888.0000	1	Wiring Harness, Door Interconnect 120V (Includes item 47) (Left side Hinge)
	36888.0001	1	Wiring Harness, Door Interconnect 120V (Includes item 47) (Right side Hinge)
49	36887.0002	1	Wiring Harness, Backlight
50	36889.0000	5	Wiring Harness, Dispense Button (1 less used on IMIX-4 models)
51	38749.0000	1	Decal, Flavors (Almond Amaretto, Cappuccino, French Vanilla, Hazelnut, Chocolate Raspberry, Cappuccino Supreme, Hot Chocolate, Raspberry Mocha, Swiss Mocha, Mocha, Raspberry Vanilla, Irish Creme, Coffee, Original, Chocolate French Vanilla, Butter Pecan, White Chocolate, Cinnamon Vanilla Nut, Decaf, Regular, Apple Cider, Fat Free French Vanilla, Cinnamon Vanilla, English Toffee)
52	38749.0003	1	Decal, Iced Coffee Flavors (Espresso Latte, Mocha Latte, Colombian, Dark Roast, Raspberry Coffee, Hazelnut Coffee, French Vanilla Latte, Caramel Latte, Chai Tea Latte, Horchatta)
53	37823.1000	-	Inlay Kit (Includes items 40 - 42)

* Indicates the part number listed is for reference only. See DESCRIPTION for possible service replacement.



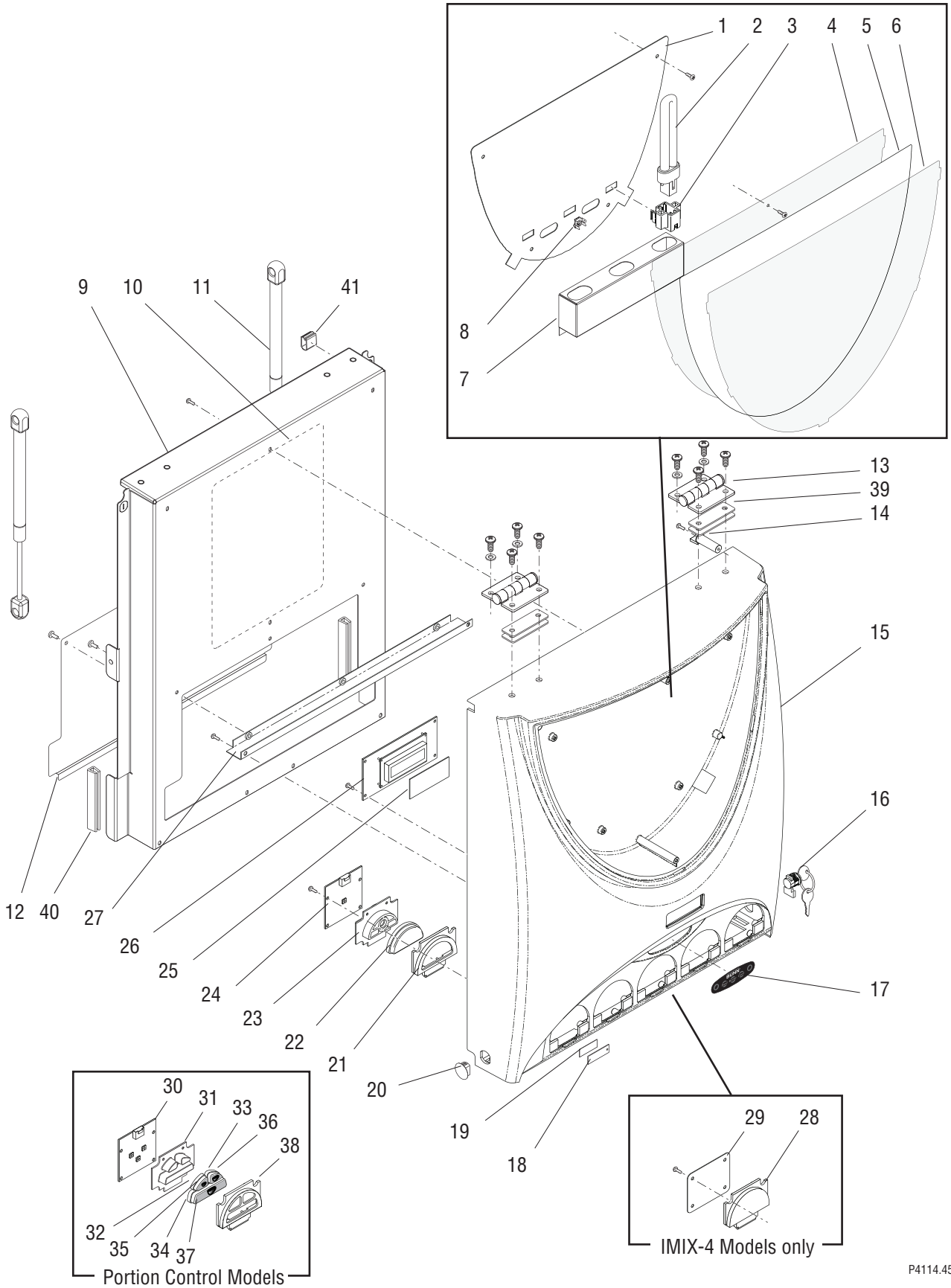
DOOR, LAMP, DISPENSE SWITCHES AND PANELS
(TOP HINGED DOORS)

ITEM	PART NO.	QTY.	DESCRIPTION
1	36656.0003	1	Panel, Lamp
	44224.0000	4	Screw, Pan Head Plastite #6 x .375"
2	32806.0000	3	Lamp, Fluorescent - 7 Watts
3	32807.0001	3	Lamp Holder, Fluorescent
4	36650.0000	1	Lens, Fixed
	02336.0000	2	Screw, Truss Head #4-40 x .375"
5	36768.0000	1	Display, Graphics
	36768.0005	1	Display, Iced Coffee Graphics
6	36662.0000	1	Lens, Removable
7	40032.0001	1	Bracket
8	28335.0000	1	Clip. Grounding
9	41564.0001	1	Panel, Inner Door
	44224.0000	11	Screw, Pan Head Plastite #6 x .375"
10	37254.0000	1	Decal, Cleaning
11	42487.0001	2	Gas Spring
12	36659.0002	1	Panel, Door - Lower
	01311.0000	4	Screw, Truss Head #8-32 x .25"
13	43514.0001	2	Hinge
	41923.0000	8	Screw, Pan Head BLK .25-20 x
	41921.0000	8	Washer
14	36244.0000	1	Plug, Door Hinge
	44224.0000	1	Screw, Pan Head Plastite #6 x .375"
15	37096.0003	1	Door
16	32863.1000	1	Keylock W/Keys, Door
	28095.0000	1	Key Set
17	36231.0000	1	Switch, Membrane Program (Self Serve Models)
	36231.0001	1	Switch, Membrane Program (Portion Control)
	36231.0003	1	Switch, Membrane Program (IMIX-5 models with Hot Water Dispense)
18	36795.0000	4/5	Strip, Flavor Adhesive
19	36796.0001	4/5	Strip, Flavor Door
20	00669.0004	1	Plug, .75" x .625" hole
21	36762.0000	4/5	Switch Housing, Single Button (Self Serve Models)
22	36761.0000	4/5	Cover, Switch (Self Serve Models)
23	36763.0000	4/5	Switch Pad, Single Button (Self Serve Models)
24	37672.1000	4/5	Circuit Board Assy, Dispense Button (Self Serve Models)
	44224.0000	20	Screw, Pan Head Plastite #6 x .375"
25	37013.0000	1	Cover, LCD Door Lens

(Continued)

* Indicates the part number listed is for reference only. See DESCRIPTION for possible service replacement.

(Continued)



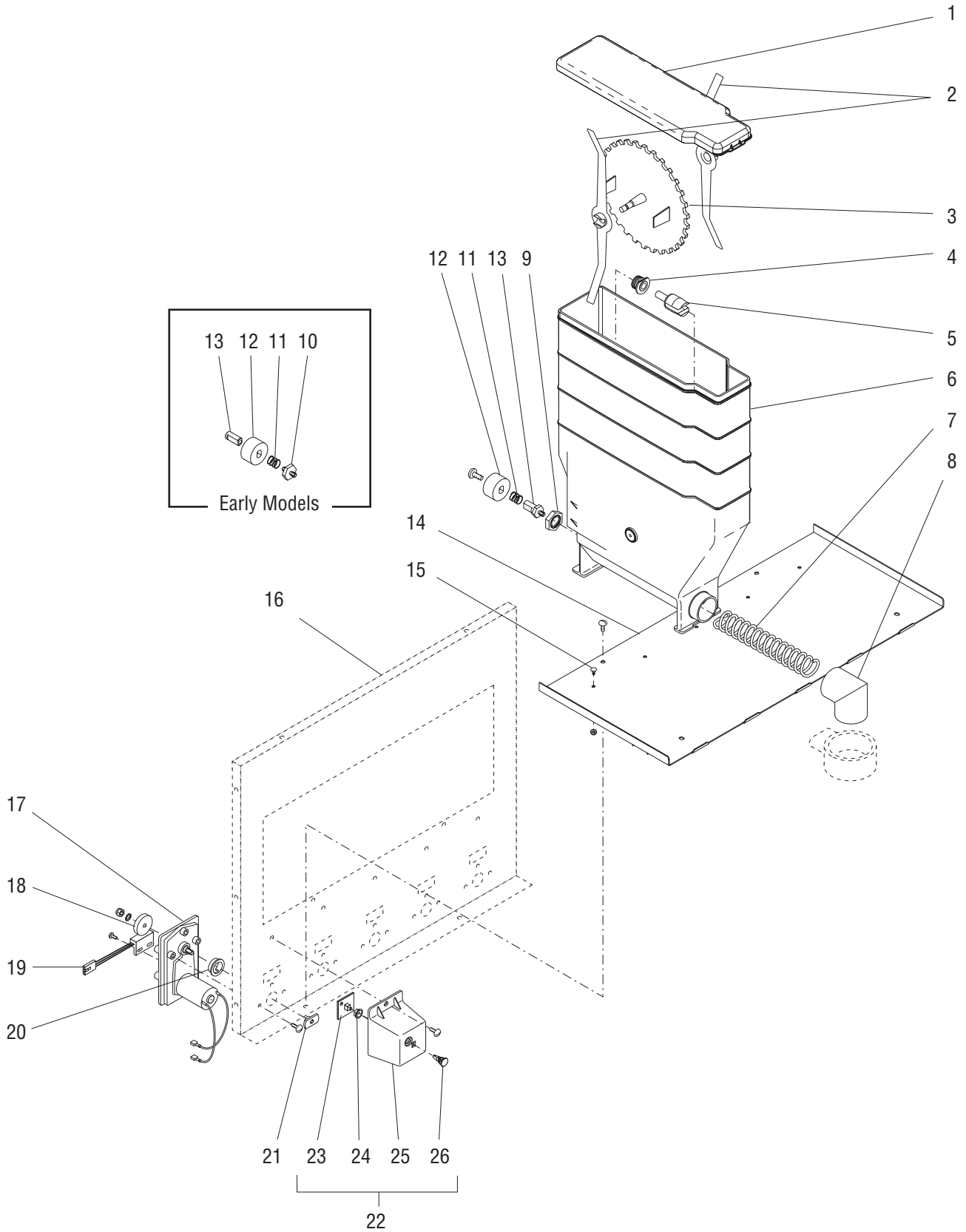
P4114.45

DOOR, LAMP, DISPENSE SWITCHES AND PANELS (TOP HINGED DOORS)

ITEM	PART NO.	QTY.	DESCRIPTION
26	36147.1000	1	Circuit Board Assy, Display
	38962.1000	1	Circuit Board Assy, Display (RoHS Compliant)
	44224.0000	4	Screw, Pan Head Plastite #6 x .375"
27	36734.0000*	1	Bracket, Inner Panel
	44224.0000	2	Screw, Pan Head Plastite #6 x .375"
28	36762.0004	1	Switch Housing, Blank
29	37615.0000	1	Plate, Blank Housing
	44224.0000	4	Screw, Pan Head Plastite #6 x .375"
30	35877.1002	3	Circuit Board Assy, Dispense Button (Portion Control Models)
	38963.1000	3	Circuit Board Assy, Dispense Button (Portion Control Models)(RoHS Compliant)
	44224.0000	12	Screw, Pan Head Plastite #6 x .375"
31	36763.0002	4/5	Switch Pad, Three Button (Portion Control Models)
32	36761.0003	4/5	Switch Cover, Small (Portion Control Models)
33	36761.0004	4/5	Switch Cover, Medium (Portion Control Models)
34	36761.0002	4/5	Switch Cover, Large (Portion Control Models)
35	37823.0000*	4/5	Inlay, Switch Cover, Small (Portion Control Models)
36	37823.0001*	4/5	Inlay, Switch Cover, Medium (Portion Control Models)
37	37823.0002*	4/5	Inlay, Switch Cover, Large (Portion Control Models)
38	36762.0002	4/5	Switch Housing, Three Button (Portion Control Models)
39	44095.0000	4	Shim
40	02434.0005*	2	Gasket, U-channel 3.5" (order item 51)
41	35260.0000	2	Cable Mount
NOTE: The following items are not illustrated			
42	26444.0000	2	Bushing, Strain Relief
43	36888.0002	1	Wiring Harness, Door Interconnect
44	36887.0002	1	Wiring Harness, Backlight
45	36889.0000	5	Wiring Harness, Dispense Button (1 less used on IMIX-4 models)
46	38749.0000	1	Decal, Flavors (Almond Amaretto, Cappuccino, French Vanilla, Hazelnut, Chocolate Raspberry, Cappuccino Supreme, Hot Chocolate, Raspberry Mocha, Swiss Mocha, Mocha, Raspberry Vanilla, Irish Creme, Coffee, Original, Chocolate French Vanilla, Butter Pecan, White Chocolate, Cinnamon Vanilla Nut, Decaf, Regular, Apple Cider, Fat Free French Vanilla, Cinnamon Vanilla, English Toffee)
47	38749.0003	1	Decal, Iced Coffee Flavors (Espresso Latte, Mocha Latte, Colombian, Dark Roast, Raspberry Coffee, Hazelnut Coffee, French Vanilla Latte, Caramel Latte, Chai Tea Latte, Horchatta)
48	37823.1000	-	Inlay Kit (Includes items 35 - 37)
49	00707.0000	2	Bushing, Strain Relief
50	42596.0001	1	Wrap, Spiral Cable
51	02434.1000	-	Gasket, U-Channel - 18" LG
	02434.1001	-	Gasket, U-Channel - 36" LG

IMIX-4 Models only

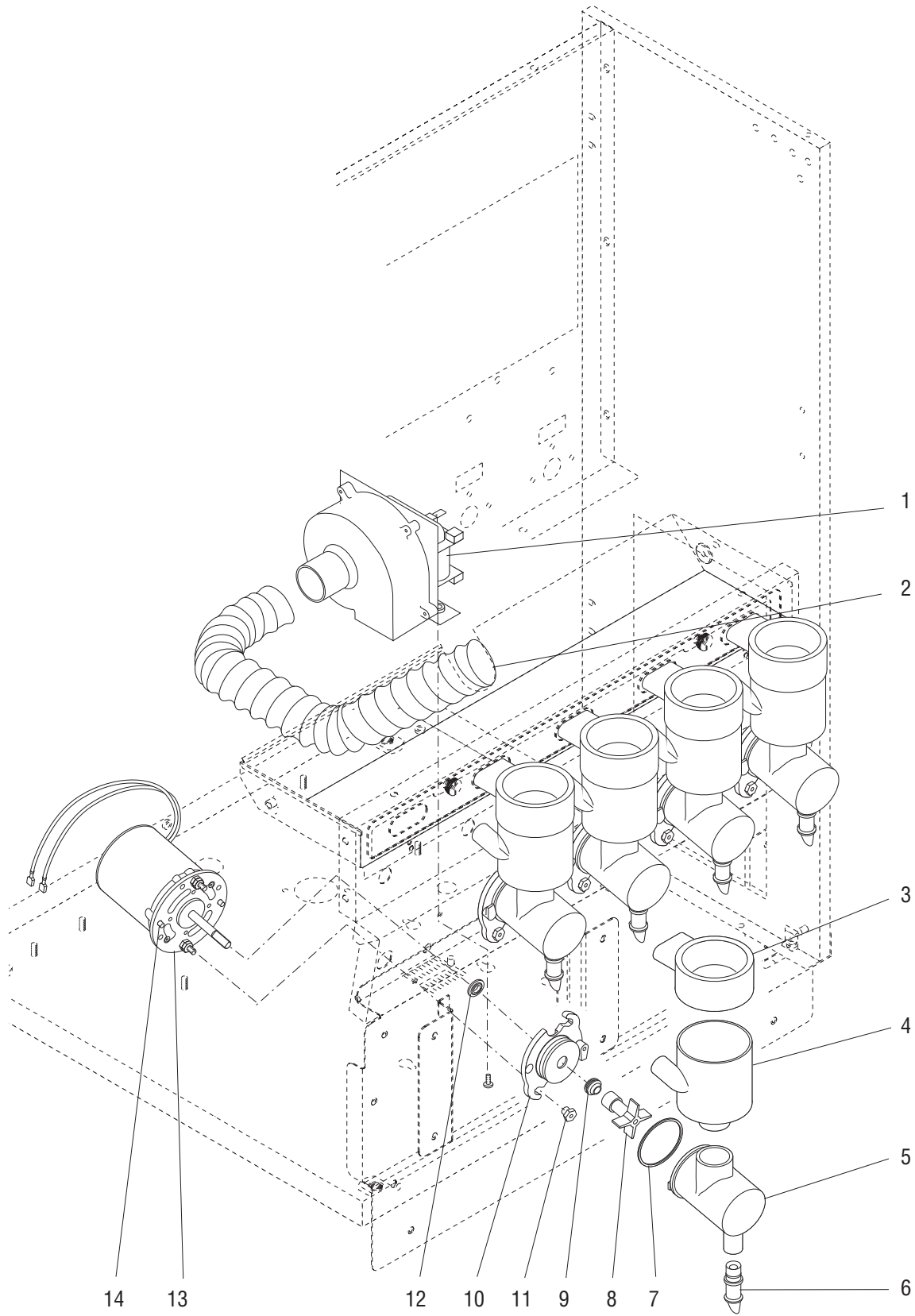
* Indicates the part number listed is for reference only. See DESCRIPTION for possible service replacement.



AUGER DRIVE AND HOPPER ASSEMBLY

ITEM	PART NO.	QTY.		DESCRIPTION
		•	••	
-	37010.1001	1	1	Hopper Assy (Includes 1 each of items 1-13)
1	36653.0001	4	5	Lid, Hopper
2	32337.0000	8	10	Mixing Blade
3	32386.0001	4	5	Disk, Agitator (30 Tooth)
4	28067.0000	4	5	Bushing, Auger Drive Shaft
5	26940.0002	4	5	Shaft, Auger Drive
6	37011.0001	4	5	Hopper
7	39442.0000	4	5	Auger, Wire (use w/30-tooth Disk)
8	25903.0000	4	5	Elbow, Ejector
9	25743.0000	4	5	Locknut
10	36772.0000*	4	5	Coupling, Hex (Early models only) (Order 37539.1000 Shaft Kit)
11	36774.0000	4	5	Spring, Hopper Coupling
12	36770.0000	4	5	Coupling, Auger Drive
	01326.0002	4	5	Screw, Truss Head #10-32 x .25" (Late models only)
13	36771.0000*	4	5	Shaft, Auger Drive Coupling (Early models) (Order 37539.1000 Shaft Kit)
	37539.1000	4	5	Shaft Kit, Auger Drive (Includes 01326.0002 Screw)(Late models)
14	36766.0000	-	1	Panel, Hopper Support
	36766.0001	1	-	Panel, Hopper Support
	01311.0000	4	4	Screw, Truss Head #8-32 x .25"
15	20960.0000	4	5	Screw, Shoulder #6-32 x .375"
	00991.0002	4	5	Nut, Elastic Lock #6-32
16	-----	-	-	See COVERS, PANELS & DRIP TRAYS
17	37037.0000	4	5	Gearmotor Assy, Auger (Each includes items 18 thru 21)
	01311.0000	12	15	Screw, Truss Head #8-32 x .25"
18	32654.0000	1	1	Magnet Hub, 8 Pole #10 ID x 1.0" OD
	01512.0000	1	1	Lockwasher, Ext Tooth #10
	00991.0003	1	1	Nut, Elastic Lock #10-32
19	33608.1000	1	1	Sensor Assy, RPM
	02336.0000	2	2	Screw, Truss Head #4-40 x .38"
20	26401.0000	1	1	Dust Seal, Hopper Motor
21	36773.0000	1	1	Plate, Auger Drive
22	37682.0000	4	5	Housing Assy, Sensor CB (Each includes items 23 thru 26)
	01315.0000	4	5	Screw, Truss Head #8-32 x .38"
23	36114.1000	1	1	CB Assy, Powder Sensor
	38958.1000	1	1	CB Assy, Powder Sensor (RoHS Compliant)
24	00970.0000	1	1	Nut, Keps #8-32
25	36243.0000	1	1	Housing Sensor CB
26	36764.0000	1	1	Spacer, Circuit Board
27	35260.0000	4	5	Cable Mount, Adhesive (Not Illustrated)

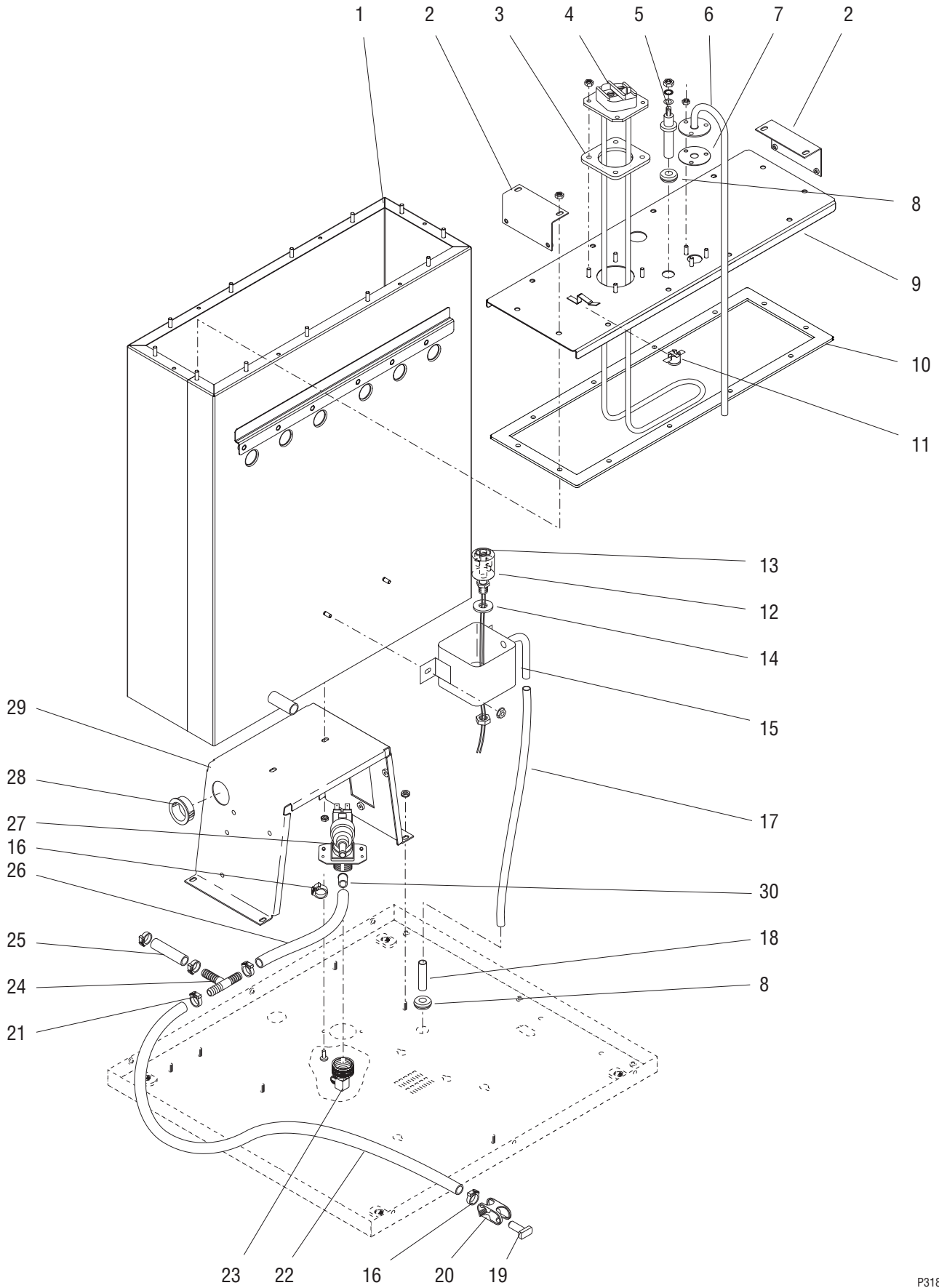
* Indicates the part number listed is for reference only. See DESCRIPTION for possible service replacement.



MIXING/WHIPPER CHAMBERS AND DRIVE MOTOR

ITEM	PART NO.	QTY.		DESCRIPTION
		•	••	• IMIX-4 Models •• IMIX-5 Models
1	28295.0000	1	1	Fan & Bracket Assembly 120V
	28295.0001	1	1	Fan & Bracket Assembly 230V
	01311.0001	2	2	Screw, Truss Head - Locking #8-32 x .25"
2	28297.0001	1	1	Hose, Vacuum
3	25732.0000	4	5	Steam Collector
4	25733.0003	4	5	Mixing Chamber
5	25734.1000	4	5	Whipper Chamber
	25734.7002	4	5	Whipper Chamber (IMIX-4C and IMIX-5C only)
6	25736.0000	4	5	Dispense Tip .34" ID
	25736.0001	4	5	Dispense Tip, Red
	28864.0004	4	5	Dispense Tip, Soup .40" ID
7	24733.0010	4	5	O-Ring
8	25902.0000	4	5	Frother
9	26356.0000	4	5	Seal, Shaft
	26356.1000	-	-	Kit Shaft Seal (Includes 6 Seals)
10	28866.0000	4	5	Receptacle, Whipper Chamber
11	28865.0000	8	10	Nut, Whipper Motor/Receptacle Mounting
12	28867.0000	4	5	Slinger
13	28428.1000	4	5	Motor, Whipper 120V (Includes item 14)
	28428.1002	4	5	Motor, Whipper 230V (Includes item 14)
14	32306.0000	8	10	Spacer
15	32906.0001	-	-	Kit, Preventive Maintenance (Includes items 3 thru 10 and 25903.0000 Elbow)

* Indicates the part number listed is for reference only. See DESCRIPTION for possible service replacement.

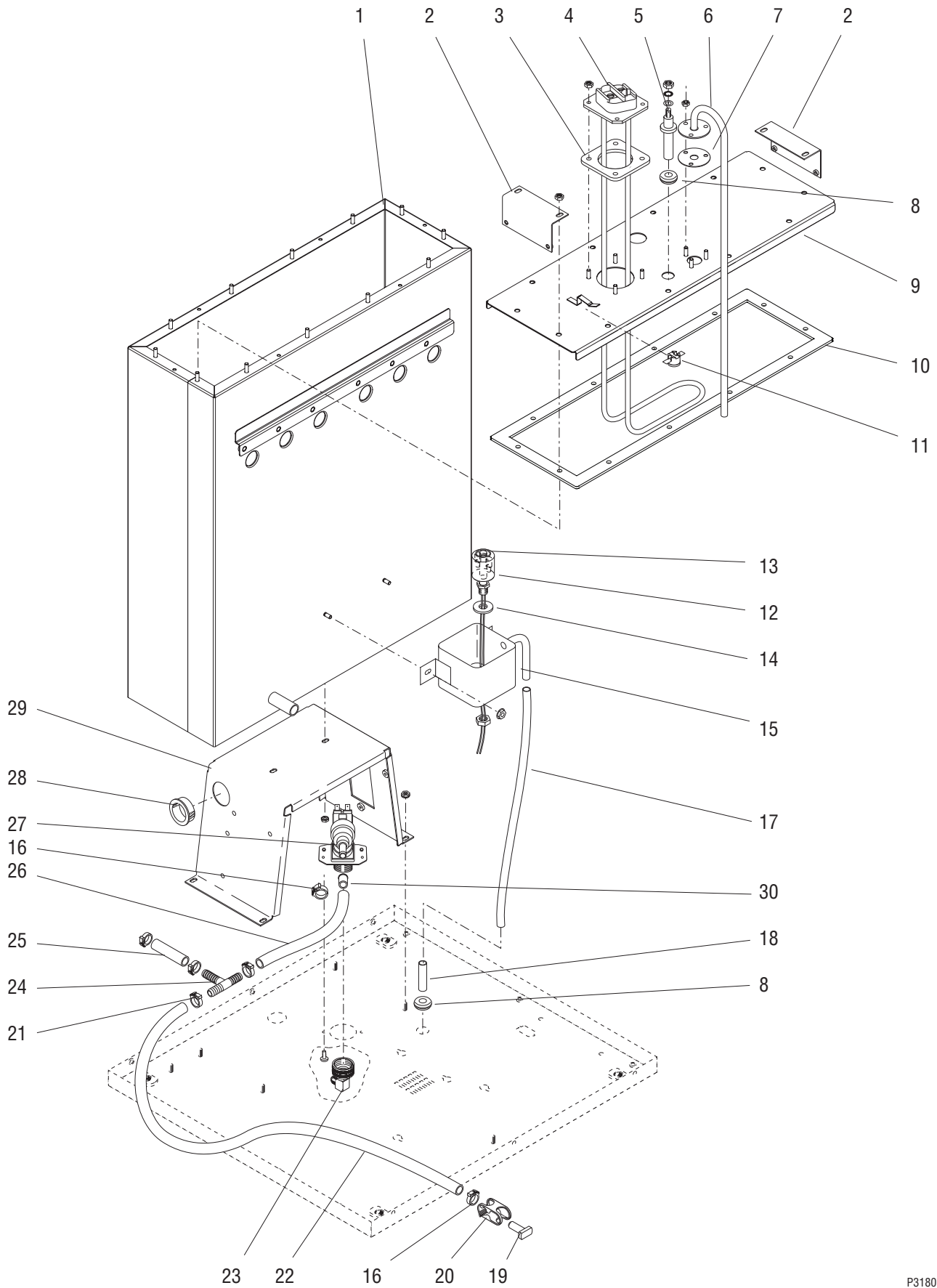


TANK, HEATER AND OVERFLOW PROTECTION

ITEM	PART NO.	QTY.	DESCRIPTION
1	-----	1	Tank, Rounded (For first replacement, order Squared Tank, & Lid)
	39133.0000	1	Tank, Squared (With copper overflow cup)
	39133.1001	1	Tank, Squared (With aluminum overflow cup)
	00970.0000	2	Nut, Keps #8-32
2	36226.0000	2	Bracket, Tank Mounting Upper
	00970.0000	4	Nut, Keps #8-32
3	12398.0000	1	Gasket, Tank Heater
4	36741.1000	1	Tank Heater Kit, 1700W 120V (Includes item 6)
	36741.1001	1	Tank Heater Kit, 1320W 120V (Includes item 6)
	36740.1000	1	Tank Heater Kit, 3500W 230V (Includes item 6)
	00908.0000	4	Nut, Hex #8-32
5	20936.1000	1	Probe Kit (Includes items indented below)
	20203.0100	1	Lockwasher, Internal Tooth #8
	01501.0000	1	Washer, Flat .164" ID x .375" OD
	00908.0000	1	Nut, #8-32
6	36220.0000	1	Tube, Overflow
	00908.0000	3	Nut, Hex #8-32
7	05515.0000	1	Gasket, Overflow Tube
8	02536.0000	2	Grommet, .375" I.D.
9	-----	1	Lid, Rounded Tank (For first replacement, order Squared Tank, & Lid)
	35940.0003	1	Lid, Squared Tank
	00908.0000	8	Nut, Hex #8-32
10	35937.0000	1	Gasket, Rounded Tank Lid (Early Models)
	35937.0002	1	Gasket, Squared Tank Lid (Late Models)
11	29329.1000	1	Thermostat, Limit
12	03803.0002	1	Switch Assy, Liquid Level (Includes items 13 & 14)
	00946.0000	1	Nut, Hex .125" FPT
13	03807.0000	1	Clip, Spring
14	03633.0000	1	Gasket, Float Switch
15	22728.0000	1	Overflow Cup (Copper)
	00970.0000	2	Nut, Keps #8-32
	41259.1003	1	Overflow Cup (Aluminum)
	41266.0000	1	Film
	41280.0001	1	Elbow
	04797.0000	1	Washer
16	12422.0001	2	Clamp, Hose .59"/.66" ID
17	28526.0028*	1	Tube, Silicone .312" ID x 9.5" (Order item 32)
18	21801.0002	1	Tube .375" O.D. x 1.50" LG
19	34392.0000	1	Plug, Hose .375" ID

(Continued)

* Indicates the part number listed is for reference only. See DESCRIPTION for possible service replacement.



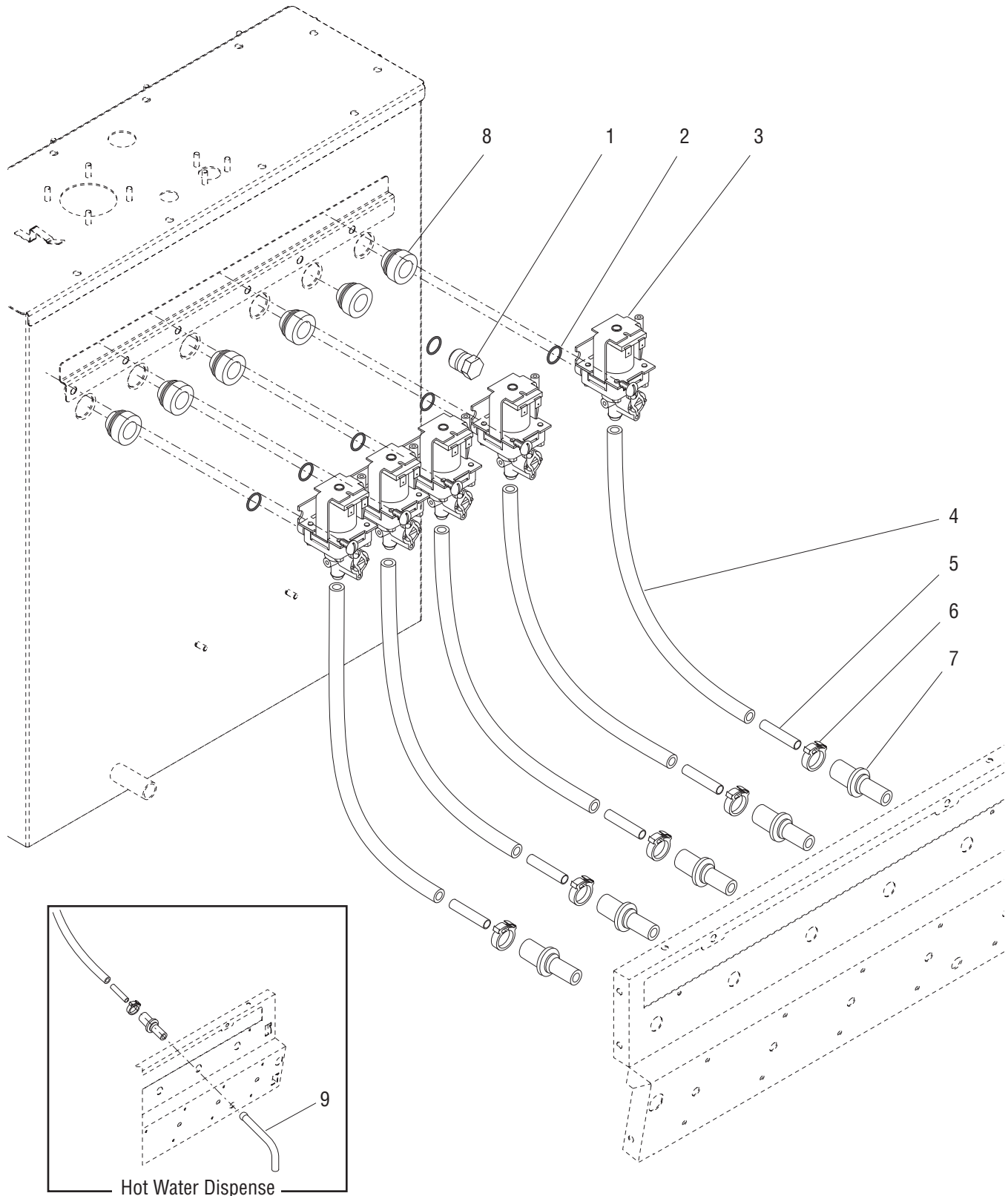
TANK, HEATER AND OVERFLOW PROTECTION

ITEM	PART NO.	QTY.	DESCRIPTION
20	11630.0001	1	Clamp, Shut Off
21	12422.0005	4	Clamp, Hose .62"/.71" ID
22	20976.0056*	1	Tube, Silicone .375" ID x 28.0" (Order item 33)
23	37297.0006	1	Elbow, .25" Flare x .75" FTHRD
24	38948.0000	1	Tee, .50" Barb
25	20976.0017*	1	Tube, Silicone .375" ID x 2.0" (Order item 33)
26	20976.0055*	1	Tube, Silicone .375" ID x 9.0" (Order item 33)
27	36233.1000	1	Valve, Water Inlet 120V
	36233.0001	1	Valve, Water Inlet 230V
	32283.0000	2	Screw, Pan Head M4 x 6MM
28	01592.0001	1	Bushing, Snap 1.18" Dia. Hole
29	35943.0000	1	Bracket, Tank Mounting Lower
	00970.0000	4	Nut, Keps #8-32
30	36378.0001	1	Valve, Check 2.5 psi
31	36222.0000*	1	Insulation, Tank
32	28526.1000	-	Tube, Silicone .312" ID x .562" OD x 12"
	28526.1001	-	Tube, Silicone .312" ID x .562" OD x 36"
	28526.1002	-	Tube, Silicone .312" ID x .562" OD x 60"
	28526.1003	-	Tube, Silicone .312" ID x .562" OD x 120"
33	20976.1000	-	Tube, Silicone, .375" ID x .50" OD x 12.0"
	20976.1001	-	Tube, Silicone, .375" ID x .50" OD x 36.0"
	20976.1002	-	Tube, Silicone, .375" ID x .50" OD x 120.0"
34	35946.0002	1	Baffle
35	34572.0000	2	Panel, Baffle Insert
	34765.0000	4	Nut, Flanged #10-32
36	43644.0000	-	Kit, Valve Rebuild

See item 36

Not Illustrated

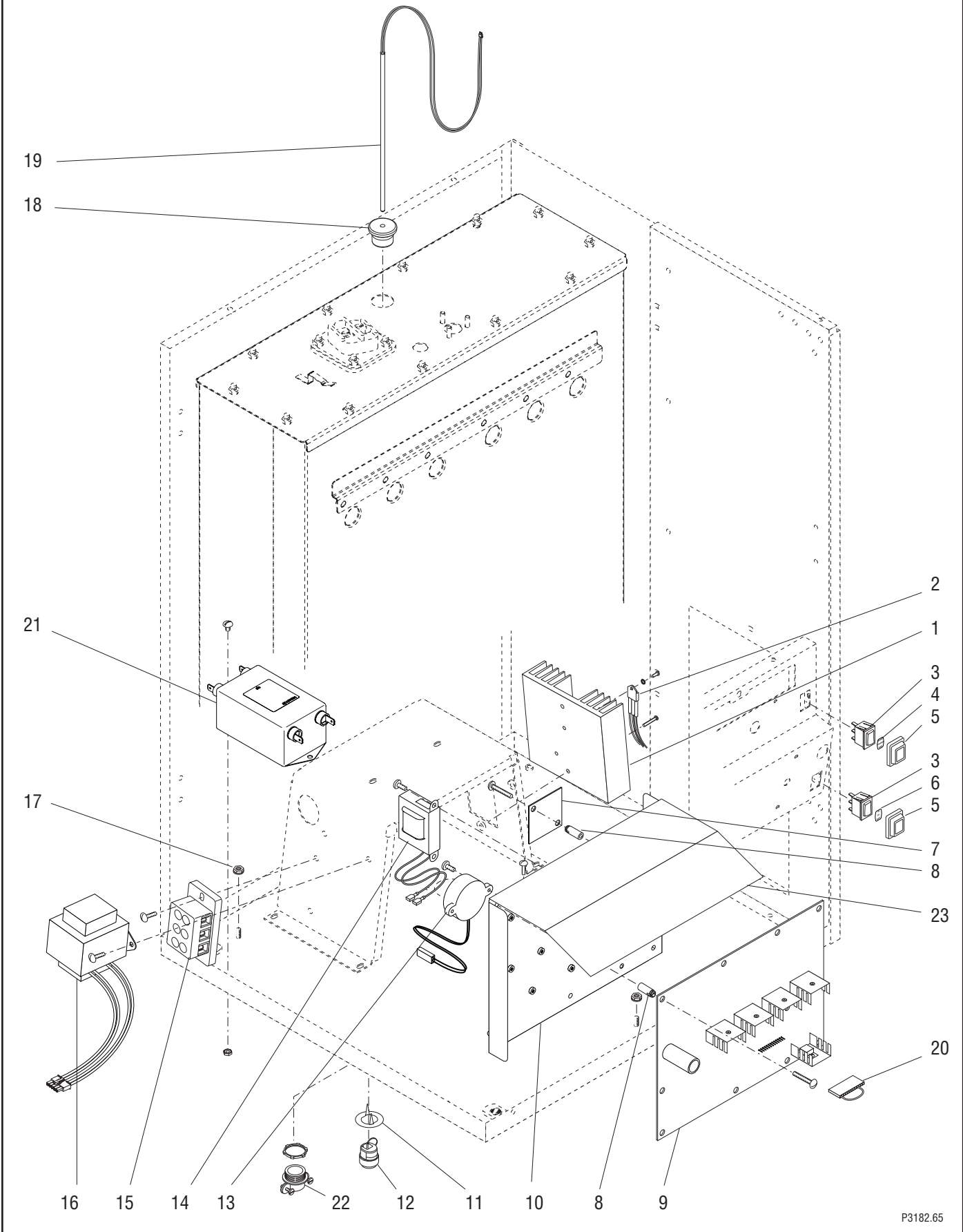
* Indicates the part number listed is for reference only. See DESCRIPTION for possible service replacement.



DISPENSE VALVES AND LINES

ITEM	PART NO.	QTY.		DESCRIPTION
				<ul style="list-style-type: none"> • IMIX-4 Models •• IMIX-5 Models
		•	••	
1	26369.1000	2	1	Plug (Includes item 2)
2	24733.0011	5	6	O-Ring
3	39285.1001	4	5	Valve, Liquid Dispense 120V (Includes item 2)
	39285.1002	4	5	Valve, Liquid Dispense 230V (Includes item 2)
	39316.1001	-	1	Valve, Liquid Dispense 120V (Includes item 2)(Models with Hot Water Dispense)
	01326.0000	4	5	Screw, Truss Head #10-32 x .25"
4	28526.0027*	4	5	Tube, Silicone .312" ID x 16.5" (Order item 10)(One add'l with Hot Water Dispense)
5	21801.0002	4	5	Tube, .375" OD x 1.50" (One add'l with Hot Water Dispense)
6	12422.0001	4	5	Clamp, Hose .59"/.66" ID (One add'l with Hot Water Dispense)
7	25803.0000	4	5	Water Inlet, Mixing Chamber (One add'l with Hot Water Dispense)
8	37970.0000	5	6	Grommet
9	32341.0000	-	1	Tube, Hot Water Dispense (Models with Hot Water Dispense)
10	28526.1001	-	-	Tube, Silicone .312" I.D. x .438" O.D. x 36"
	28526.1002	-	-	Tube, Silicone .312" I.D. x .438" O.D. x 60"
	28526.1003	-	-	Tube, Silicone .312" I.D. x .438" O.D. x 120"
				} Not Illustrated
11	45964.1000	-	-	Repair Kit, Dispense Valve (Includes Spring, Plunger, and Diaphragm)

* Indicates the part number listed is for reference only. See DESCRIPTION for possible service replacement.

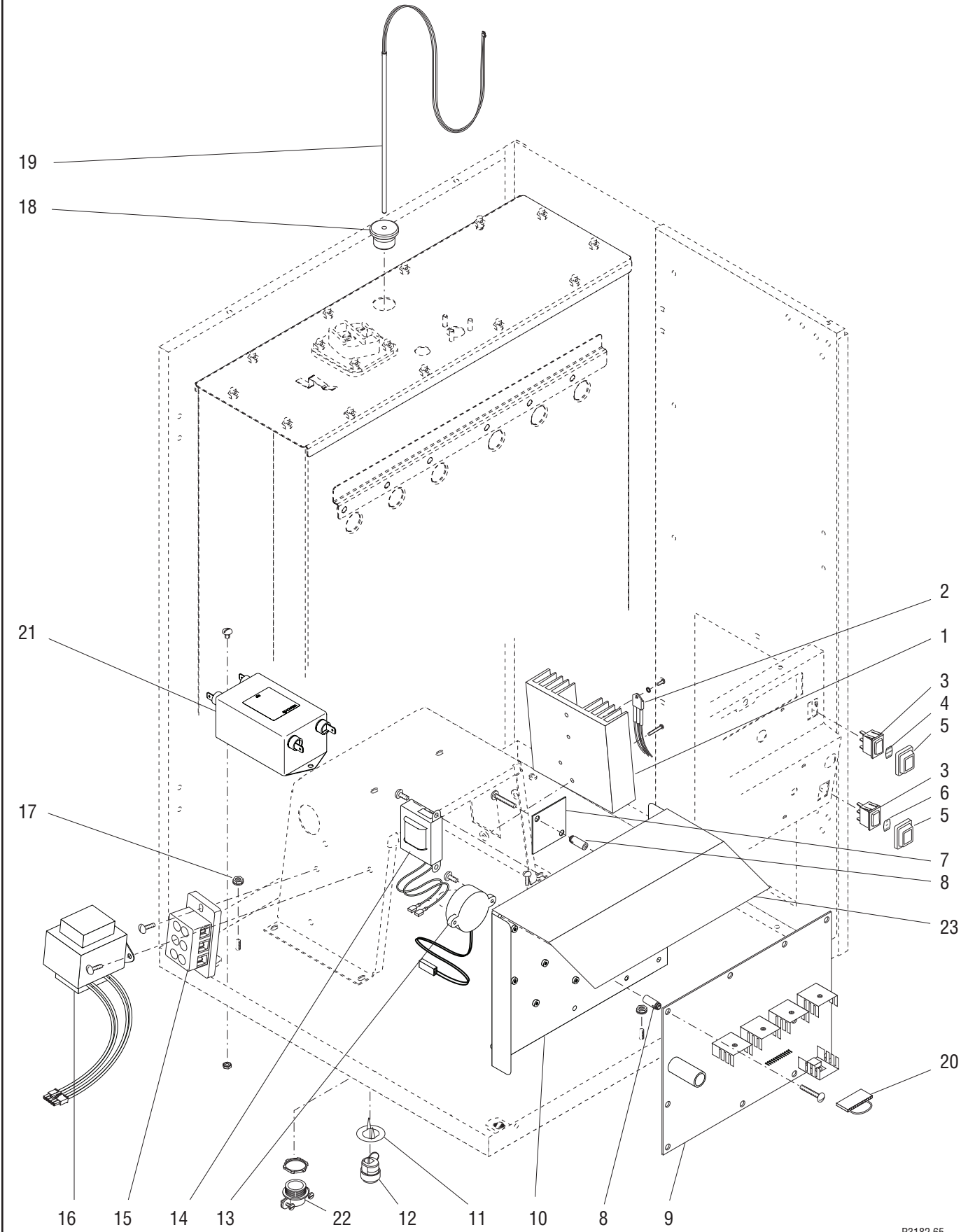


ELECTRICAL CONTROLS

ITEM	PART NO.	QTY.	DESCRIPTION
1	20541.0001	1	Heat Sink
	01347.0000	2	Screw, Truss Head #6-32 x .375"
2	12565.1035	1	Triac Assy, 40 Amp, 120V (also order item 35)
	12565.0018	1	Triac Assy, 40 Amp, 230V (also order item 35)
	01520.0000	1	Lockwasher, Split #6
	02328.0003	1	Screw, Pan Head #6-32 x .312"
3	27437.0001	2	Switch, Rocker NORMAL/PROGRAM/RINSE and ON/OFF/NIGHT
4	37192.0000	1	Decal, Switch - NORMAL/PROGRAM/RINSE
5	34390.0000	2	Cap, Rocker Switch
6	37193.0000	1	Decal, Switch - ON/OFF/NIGHT
7	36449.1000	1	Control Board Assy, Memory
	38712.1000	1	Control Board Assy, Memory (RoHS Compliant)
	01382.0008	2	Screw, Truss Head #6-32 x 1.0" } Early Models
8	29081.0004	12	Spacer .153" ID x .62" LG (2 less with Late Models)
9	37104.1001	1	Control Board Assy, Main
	38961.1001	1	Control Board Assy, Main (RoHS Compliant)
	01382.0008	10	Screw, Truss Head #6-32 x 1.0"
10	36976.0001	1	Bracket, Component Mounting (Early Models)
	36976.0002	1	Bracket, Component Mounting (late Models)
	01311.0001	2	Screw, Truss Head Locking #8-32 x .25"
11	00715.0000	1	Adapter Washer, Strain Relief 120V
12	00713.0000	1	Bushing, Strain Relief 120V
13	33147.0002	1	Audio Indicator Assy
	01382.0000	2	Screw, Truss Head #6-32 x .375"
14	28327.0002	3	Ballast 120V, 60HZ W/Terminals
	39642.0000	3	Ballast 230V, 50HZ W/Terminals
	01382.0000	6	Screw, Truss Head #6-32 x .375"
15	07038.0000	1	Terminal Block
	01317.0000	2	Screw, Truss Head #8-32 x .50"
16	34829.0001	1	Transformer Assy 120V to 24V
	34829.0002	1	Transformer Assy 230V to 24V
	01317.0000	2	Screw, Truss Head #8-32 x .50"
17	00970.0000	2	Nut, Ground Keps #8-32
18	33801.0003	1	Grommet, Temp Sensor
19	39085.0002	1	Probe, Temperature
20	37780.0000	1	Jumper (IMIX-4 models only)
21	36801.0000	1	EMI Filter 230V
	01311.0000	2	Screw, Truss Head #8-32 x .25"
	00970.0000	2	Nut, Keps #8-32
22	01685.0000	1	Connector, Cord 230V
23	46640.0000	1	Drip Shield

(Continued)

* Indicates the part number listed is for reference only. See DESCRIPTION for possible service replacement.



ELECTRICAL CONTROLS

ITEM	PART NO.	QTY.	DESCRIPTION
The following items are not illustrated			
24	20630.0005	1	Cord Assembly, Power 120V only
25	36849.0000	1	Wiring Harness, Power 120V
	36849.0001	1	Wiring Harness, Power 230V
26	36850.0000	1	Wiring Harness, Switch
27	36844.0005	1	Wiring Harness, I/O Head #1
28	36844.0006	1	Wiring Harness, I/O Head #2
29	36844.0007	1	Wiring Harness, I/O Head #3 (Not used on IMIX-4 models)
30	36844.0008	1	Wiring Harness, I/O Head #4
31	36844.0009	1	Wiring Harness, I/O Head #5
32	36676.0001	1	Wiring Harness, Memory Board (Early Models)
33	37842.0000	1	Wiring Harness, T-block to EMI Filter 230V
34	37998.0000	1	Lead, Limit Thermostat to Tank Heater 230V
35	M2522.1000	-	Heat Sink Compound
36	39476.0000	1	Wiring Harness (Models with Hot Water Dispense)

* Indicates the part number listed is for reference only. See DESCRIPTION for possible service replacement.

NUMERICAL INDEX

PART NO.	PAGE NO.	PART NO.	PAGE NO.	PART NO.	PAGE NO.	PART NO.	PAGE NO.
00656.0001.....	7	13255.0003.....	7	28864.0004.....	19	36224.1002.....	7
00669.0004.....	9,13	20203.0100.....	21	28865.0000.....	19	36224.1003.....	7
00707.0000.....	15	20541.0001.....	27	28866.0000.....	19	36226.0000.....	21
00713.0000.....	27	20630.0005.....	29	28867.0000.....	19	36229.0001.....	7
00715.0000.....	27	20936.1000.....	21	29081.0004.....	27	36229.0003.....	7
00824.0002.....	7	20960.0000.....	17	29329.1000.....	21	36230.0001.....	5
00831.0000.....	7	20976.0017.....	23	32283.0000.....	23	36230.0003.....	5
00908.0000.....	21	20976.0055.....	23	32306.0000.....	19	36231.0000.....	9,13
00946.0000.....	21	20976.0056.....	23	32337.0000.....	17	36231.0001.....	9,13
00970.0000.....	17,21,23,27	20976.1000.....	23	32341.0000.....	25	36231.0003.....	9,13
00991.0002.....	17	20976.1001.....	23	32386.0001.....	17	36232.0000.....	5
00991.0003.....	17	20976.1002.....	23	32654.0000.....	17	36233.1000.....	23
01311.0000.....	5,7,11,13,17,27	21436.0000.....	7	32806.0000.....	9,13	36233.0001.....	23
01311.0001.....	5,7,9,11,19,27	21801.0002.....	21,25	32807.0001.....	9,13	36235.0000.....	5
01311.0003.....	5,7	22728.0000.....	21	32863.1000.....	9,13	36235.0001.....	5
01315.0000.....	17	24457.0002.....	9	32906.0001.....	19	36235.0002.....	5
01317.0000.....	27	24733.0010.....	19	33147.0002.....	27	36235.0003.....	5
01326.0000.....	25	24733.0011.....	25	33608.1000.....	17	36240.0001.....	7
01326.0002.....	17	25732.0000.....	19	33801.0003.....	27	36243.0000.....	17
01347.0000.....	27	25733.0003.....	19	34362.0000.....	9	36244.0000.....	9,13
01382.0000.....	27	25734.1000.....	19	34390.0000.....	27	36378.0001.....	23
01382.0002.....	5	25734.7002.....	19	34392.0000.....	21	36398.0000.....	7
01382.0008.....	27	25736.0000.....	19	34572.0000.....	23	36449.1000.....	27
01403.0000.....	11	25736.0001.....	19	34666.0000.....	5	36644.0000.....	5
01501.0000.....	21	25743.0000.....	17	34667.0000.....	11	36644.0001.....	5
01509.0001.....	5	25803.0000.....	25	34765.0000.....	23	36647.0000.....	9
01512.0000.....	17	25902.0000.....	19	34829.0001.....	27	36647.0001.....	9
01520.0000.....	27	25903.0000.....	17	34829.0002.....	27	36648.0000.....	5
01526.0001.....	7	26356.0000.....	19	34998.0000.....	5	36650.0000.....	13
01592.0001.....	23	26356.1000.....	19	35260.0000.....	15,17	36650.0000.....	9
01685.0000.....	27	26369.1000.....	25	35877.1002.....	11,15	36653.0001.....	17
02328.0003.....	27	26401.0000.....	17	35912.1001.....	5	36656.0003.....	9,13
02336.0000.....	11	26444.0000.....	11,15	35912.1012.....	5	36658.0000.....	9
02336.0000.....	13	26528.0000.....	7	35912.1014.....	5	36659.0002.....	11,13
02336.0000.....	17	26940.0002.....	17	35915.1001.....	5	36661.0000.....	11
02336.0000.....	5,7,9	27437.0001.....	27	35916.1001.....	5	36661.0002.....	11
02434.0005.....	15	28067.0000.....	17	35924.0000.....	7	36662.0000.....	9,13
02434.0008.....	7	28095.0000.....	9,13	35925.1001.....	7	36667.1000.....	9
02434.0018.....	7	28295.0000.....	19	35926.0000.....	5	36667.1002.....	9
02434.1000.....	7,15	28295.0001.....	19	35927.0000.....	5	36669.0000.....	11
02434.1001.....	7,15	28297.0001.....	19	35927.0001.....	5	36670.0000.....	7
02536.0000.....	7,21	28327.0002.....	27	35927.0005.....	5	36676.0001.....	29
03633.0000.....	21	28328.0010.....	5	35929.0004.....	5	36734.0000.....	15
03803.0002.....	21	28328.0012.....	5	35929.0005.....	5	36734.0000.....	9
03807.0000.....	21	28328.0014.....	5	35929.0007.....	5	36739.0000.....	7
03996.0000.....	7	28328.0017.....	5	35937.0000.....	21	36740.1000.....	21
04797.0000.....	21	28335.0000.....	11,13	35937.0002.....	21	36741.1000.....	21
05515.0000.....	21	28428.1000.....	19	35940.0003.....	21	36741.1001.....	21
07038.0000.....	27	28428.1002.....	19	35943.0000.....	23	36742.0000.....	7
11630.0001.....	23	28526.0027.....	25	35946.0002.....	23	36742.0001.....	7
12398.0000.....	21	28526.0028.....	21	36114.1000.....	17	36743.0000.....	7
12422.0001.....	21,25	28526.1000.....	23	36147.1000.....	9,15	36743.0001.....	5
12422.0005.....	23	28526.1001.....	23,25	36149.0000.....	9	36761.0000.....	9,13
12565.0018.....	27	28526.1002.....	23,25	36220.0000.....	21	36761.0002.....	11,15
12565.1035.....	27	28526.1003.....	23,25	36222.0000.....	23	36761.0003.....	11,15

NUMERICAL INDEX

PART NO.	PAGE NO.	PART NO.	PAGE NO.	PART NO.	PAGE NO.	PART NO.	PAGE NO.
36761.0004.....	11,15	37780.0000.....	27				
36762.0000.....	9,13	37823.0000.....	11,15				
36762.0002.....	11,15	37823.0001.....	11,15				
36762.0004.....	11,15	37823.0002.....	11,15				
36763.0000.....	9,13	37823.1000.....	11,15				
36763.0002.....	11,15	37842.0000.....	29				
36764.0000.....	17	37881.0000.....	7				
36766.0000.....	17	37970.0000.....	25				
36766.0001.....	17	37988.0000.....	5				
36768.0000.....	9,13	37998.0000.....	29				
36768.0005.....	9,13	38345.0000.....	7				
36770.0000.....	17	38712.1000.....	27				
36771.0000.....	17	38749.0000.....	11,15				
36772.0000.....	17	38749.0003.....	11,15				
36773.0000.....	17	38948.0000.....	23				
36774.0000.....	17	38958.1000.....	17				
36795.0000.....	9,13	38961.1001.....	27				
36796.0001.....	9,13	38962.1000.....	9,15				
36801.0000.....	27	38963.1000.....	11,15				
36844.0005.....	29	39085.0002.....	27				
36844.0006.....	29	39133.0000.....	21				
36844.0007.....	29	39133.1001.....	21				
36844.0008.....	29	39285.1001.....	25				
36844.0009.....	29	39285.1002.....	25				
36849.0000.....	29	39316.1001.....	25				
36849.0001.....	29	39442.0000.....	17				
36850.0000.....	29	39476.0000.....	29				
36887.0002.....	11,15	39642.0000.....	27				
36888.0000.....	11	40031.1000.....	11				
36888.0001.....	11	40031.1001.....	11				
36888.0002.....	15	40032.0001.....	11,13				
36889.0000.....	11,15	41259.1003.....	21				
36896.0000.....	7	41266.0000.....	21				
36976.0001.....	27	41280.0001.....	21				
36976.0002.....	27	41564.0001.....	13				
37010.1001.....	17	41921.0000.....	13				
37011.0001.....	17	41923.0000.....	13				
37013.0000.....	9,13	42471.1001.....	5				
37037.0000.....	17	42487.0001.....	13				
37065.0000.....	7	42596.0001.....	15				
37096.0003.....	9,13	42598.1001.....	5				
37104.1001.....	27	43514.0001.....	13				
37180.1000.....	5	43644.0000.....	23				
37180.1001.....	5	44095.0000.....	15				
37180.1002.....	5	44224.0000.....	5,7,9,11,13,15				
37192.0000.....	27	45964.1000.....	25				
37193.0000.....	27	46640.0000.....	27				
37254.0000.....	9,13	M2522.1000.....	29				
37262.0001.....	7						
37262.0002.....	7						
37297.0006.....	23						
37539.1000.....	17						
37615.0000.....	11,15						
37672.1000.....	9,13						
37682.0000.....	17						