

BUNN®

IMIX®-3



ILLUSTRATED PARTS CATALOG

Designs, materials, weights, specifications, and dimensions for equipment or replacement parts are subject to change without notice.

BUNN-O-MATIC CORPORATION

POST OFFICE BOX 3227

SPRINGFIELD, ILLINOIS 62708-3227

PHONE: (217) 529-6601 FAX: (217) 529-6644



BUNN-O-MATIC COMMERCIAL PRODUCT WARRANTY

Bunn-O-Matic Corp. ("BUNN") warrants equipment manufactured by it as follows:

- 1) Airpots, thermal carafes, decanters, GPR servers, iced tea/coffee dispensers, MCP/MCA pod brewers thermal servers and Thermofresh servers (mechanical and digital)- 1 year parts and 1 year labor.
- 2) All other equipment - 2 years parts and 1 year labor plus added warranties as specified below:
 - a) Electronic circuit and/or control boards - parts and labor for 3 years.
 - b) Compressors on refrigeration equipment - 5 years parts and 1 year labor.
 - c) Grinding burrs on coffee grinding equipment to grind coffee to meet original factory screen sieve analysis - parts and labor for 4 years or 40,000 pounds of coffee, whichever comes first.

These warranty periods run from the date of installation BUNN warrants that the equipment manufactured by it will be commercially free of defects in material and workmanship existing at the time of manufacture and appearing within the applicable warranty period. This warranty does not apply to any equipment, component or part that was not manufactured by BUNN or that, in BUNN's judgment, has been affected by misuse, neglect, alteration, improper installation or operation, improper maintenance or repair, non periodic cleaning and descaling, equipment failures related to poor water quality, damage or casualty. In addition, the warranty does not apply to replacement of items subject to normal use including but not limited to user replaceable parts such as seals and gaskets. This warranty is conditioned on the Buyer 1) giving BUNN prompt notice of any claim to be made under this warranty by telephone at (217) 529-6601 or by writing to Post Office Box 3227, Springfield, Illinois 62708-3227; 2) if requested by BUNN, shipping the defective equipment prepaid to an authorized BUNN service location; and 3) receiving prior authorization from BUNN that the defective equipment is under warranty.

THE FOREGOING WARRANTY IS EXCLUSIVE AND IS IN LIEU OF ANY OTHER WARRANTY, WRITTEN OR ORAL, EXPRESS OR IMPLIED, INCLUDING, BUT NOT LIMITED TO, ANY IMPLIED WARRANTY OF EITHER MERCHANTABILITY OR FITNESS FOR A PARTICULAR PURPOSE. The agents, dealers or employees of BUNN are not authorized to make modifications to this warranty or to make additional warranties that are binding on BUNN. Accordingly, statements by such individuals, whether oral or written, do not constitute warranties and should not be relied upon.

If BUNN determines in its sole discretion that the equipment does not conform to the warranty, BUNN, at its exclusive option while the equipment is under warranty, shall either 1) provide at no charge replacement parts and/or labor (during the applicable parts and labor warranty periods specified above) to repair the defective components, provided that this repair is done by a BUNN Authorized Service Representative; or 2) shall replace the equipment or refund the purchase price for the equipment.

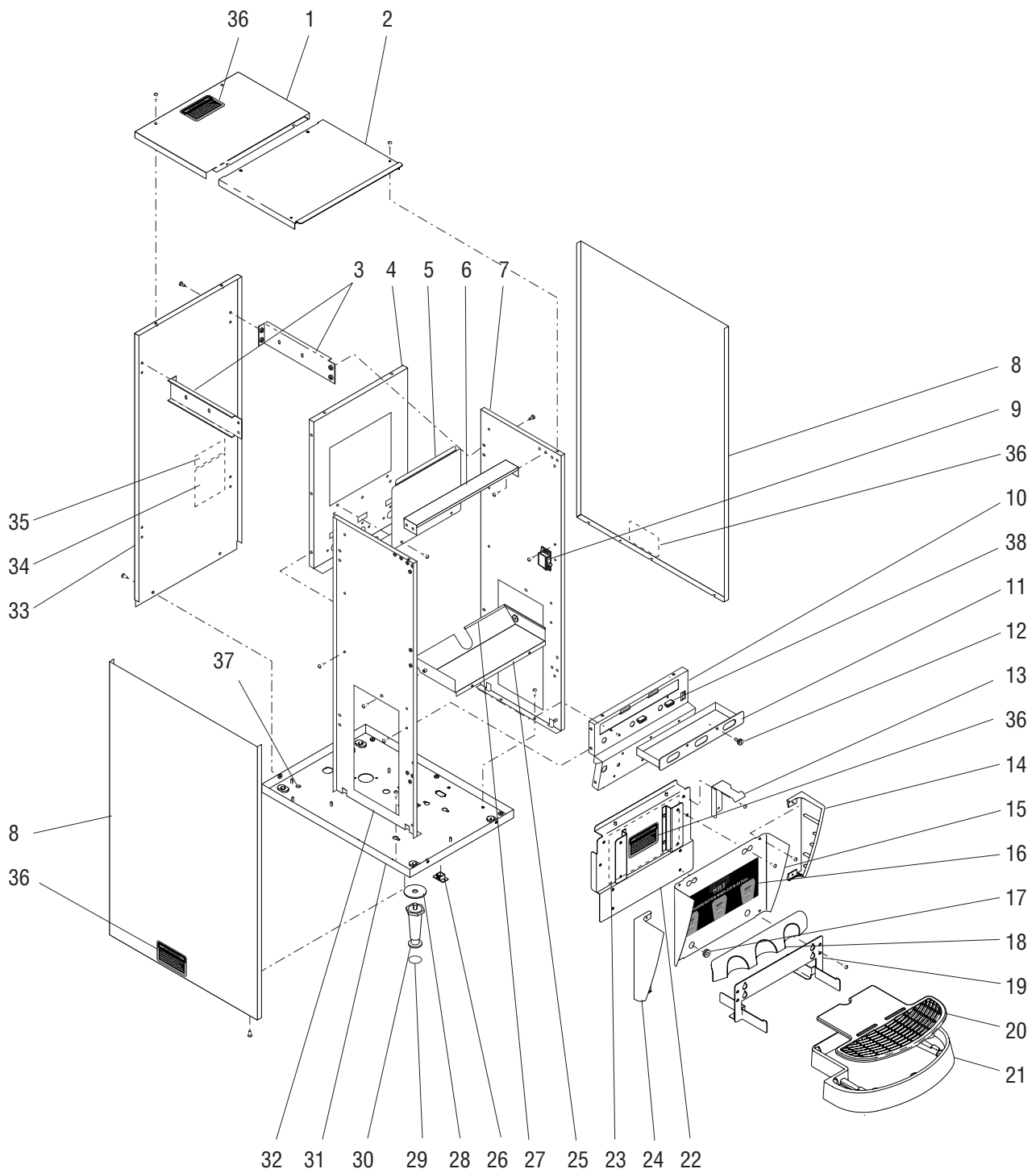
THE BUYER'S REMEDY AGAINST BUNN FOR THE BREACH OF ANY OBLIGATION ARISING OUT OF THE SALE OF THIS EQUIPMENT, WHETHER DERIVED FROM WARRANTY OR OTHERWISE, SHALL BE LIMITED, AT BUNN'S SOLE OPTION AS SPECIFIED HEREIN, TO REPAIR, REPLACEMENT OR REFUND.

In no event shall BUNN be liable for any other damage or loss, including, but not limited to, lost profits, lost sales, loss of use of equipment, claims of Buyer's customers, cost of capital, cost of down time, cost of substitute equipment, facilities or services, or any other special, incidental or consequential damages.

392, AutoPOD, AXIOM, BrewLOGIC, BrewMETER, Brew Better Not Bitter, BrewWISE, BrewWIZARD, BUNN Espresso, BUNN Family Gourmet, BUNN Gourmet, BUNN Pour-O-Matic, BUNN, BUNN with the stylized red line, BUNNlink, Bunn-OMatic, Bunn-O-Matic, BUNNserve, BUNNSERVE with the stylized wrench design, Cool Froth, DBC, Dr. Brew stylized Dr. design, Dual, Easy Pour, EasyClear, EasyGard, FlavorGard, Gourmet Ice, Gourmet Juice, High Intensity, iMIX, Infusion Series, Intellisteam, My Café, Phase Brew, PowerLogic, Quality Beverage Equipment Worldwide, Respect Earth, Respect Earth with the stylized leaf and coffee cherry design, Safety-Fresh, savemycoffee.com, Scale-Pro, Silver Series, Single, Smart Funnel, Smart Hopper, SmartWAVE, Soft Heat, SplashGard, The Mark of Quality in Beverage Equipment Worldwide, ThermoFresh, Titan, trifacta, Velocity Brew, A Partner You Can Count On, Air Brew, Air Infusion, Beverage Bar Creator, Beverage Profit Calculator, Brew better, not bitter., BUNNSource, Coffee At Its Best, Cyclonic Heating System, Daypart, Digital Brewer Control, Nothing Brews Like a BUNN, Pouring Profits, Signature Series, Tea At Its Best, The Horizontal Red Line, Ultra are either trademarks or registered trademarks of Bunn-O-Matic Corporation.

TABLE OF CONTENTS

TITLE	PAGE NO.
Auger Drive and Hopper Assembly	12
Covers, Panels and Drip Tray	4
Dispense Valves and Lines.....	20
Door, Lamp, Dispense Switches and Panels	8
Electrical Controls.....	22
Mixing/Whipper Chambers and Drive Motor.....	14
Numerical Index.....	24
Tank, Heater and Overflow Protection	16



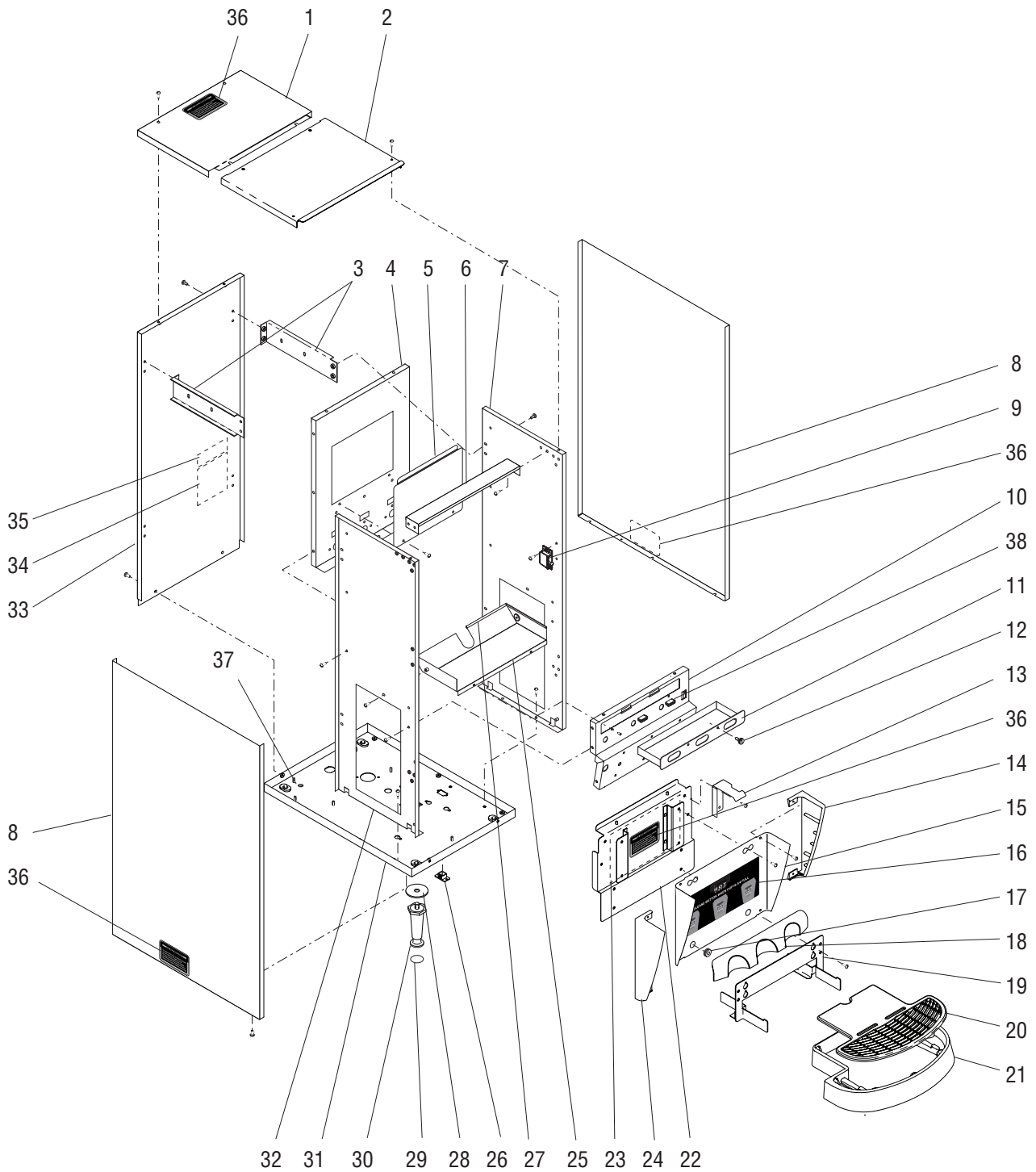
COVERS, PANELS AND DRIP TRAY

ITEM	PART NO.	QTY.	DESCRIPTION
1	36958.0001	1	Cover, Top Rear - BLK
	36958.0002	1	Cover, Top Rear - SST
	01311.0003	2	Screw, Truss Head BLK #8-32 x .25"
	01311.0000	2	Screw, Truss Head SST #8-32 x .25"
2	36959.0001	1	Cover, Top Front - BLK
	36959.0002	1	Cover, Top Front - SST
	01311.0003	2	Screw, Truss Head BLK #8-32 x .25"
	01311.0000	2	Screw, Truss Head SST #8-32 x .25"
	01382.0002	2	Screw, Truss Head BLK #6-32 x .375"
	01308.0000	2	Screw, Truss Head SST #6-32 x .375"
3	35926.0000	4	Bracket, Side Support
	01311.0001	8	Screw, Truss Head - Locking #8-32 x .25"
4	36967.0002	1	Panel, Inner Rear
	01311.0001	6	Screw, Truss Head - Locking #8-32 x .25"
5	36968.0001	1	Panel, Inner Access
	01311.0000	2	Screw, Truss Head #8-32 x .25"
6	36986.0000	1	Strap, Top Support
	01311.0001	4	Screw, Truss Head - Locking #8-32 x .25"
7	36230.0001	1	Panel, Inner Right (Right Hinged Door)
	36230.0002	1	Panel, Inner Right (Left Hinged Door)
	01311.0001	2	Screw, Truss Head - Locking #8-32 x .25"
8	35912.0001	2	Panel, Side - BLK
	35912.0002	2	Panel, Side - SST
	01311.0003	6	Screw, Truss Head BLK #8-32 x .25"
	01311.0000	6	Screw, Truss Head SST #8-32 x .25"
9	34666.0000	1	Catch, Door Latch
	02336.0000	2	Screw, Truss Head #4-40 x .375"
	01509.0001	2	Lockwasher, Int.-tooth #4
10	36965.0000	1	Panel, Whipper Motor (Early Models)
	36965.0003	1	Panel, Whipper Motor (Late Models)
	01311.0001	6	Screw, Truss Head - Locking #8-32 x .25"
11	36978.0000	1	Tray, Powder Box (Early Models)
	36978.0001	1	Tray, Powder Box (Late Models)
12	37988.0000	2	Screw, Captive #10-32 x .50" (Early Models)
	34998.0000	2	E-Ring, Retaining .127" OD
13	36644.0000	1	Bracket, Door Locking
	01311.0001	2	Screw, Truss Head - Locking #8-32 x .25"
14	36743.0001	1	Cap, Splash Panel Right
	38044.0000	2	Screw, Pan Head Plastite #6 x .375"
15	37498.1000	1	Panel W/Decal, Splash (Includes items 14, 16, 17, 18, & 24)(Self Serve Models)
	37498.1001	1	Panel W/Decal, Splash (Includes items 14, 16, 17, 18, & 24)(Portion Control)
16	28328.0011	1	Decal, Caution-Hot Liquid & Cup (Self Serve Models)
	28328.0013	1	Decal, Caution-Hot Liquid & Cup (Portion Control)

(Continued)

* Indicates the part number listed is for reference only. See DESCRIPTION for possible service replacement.

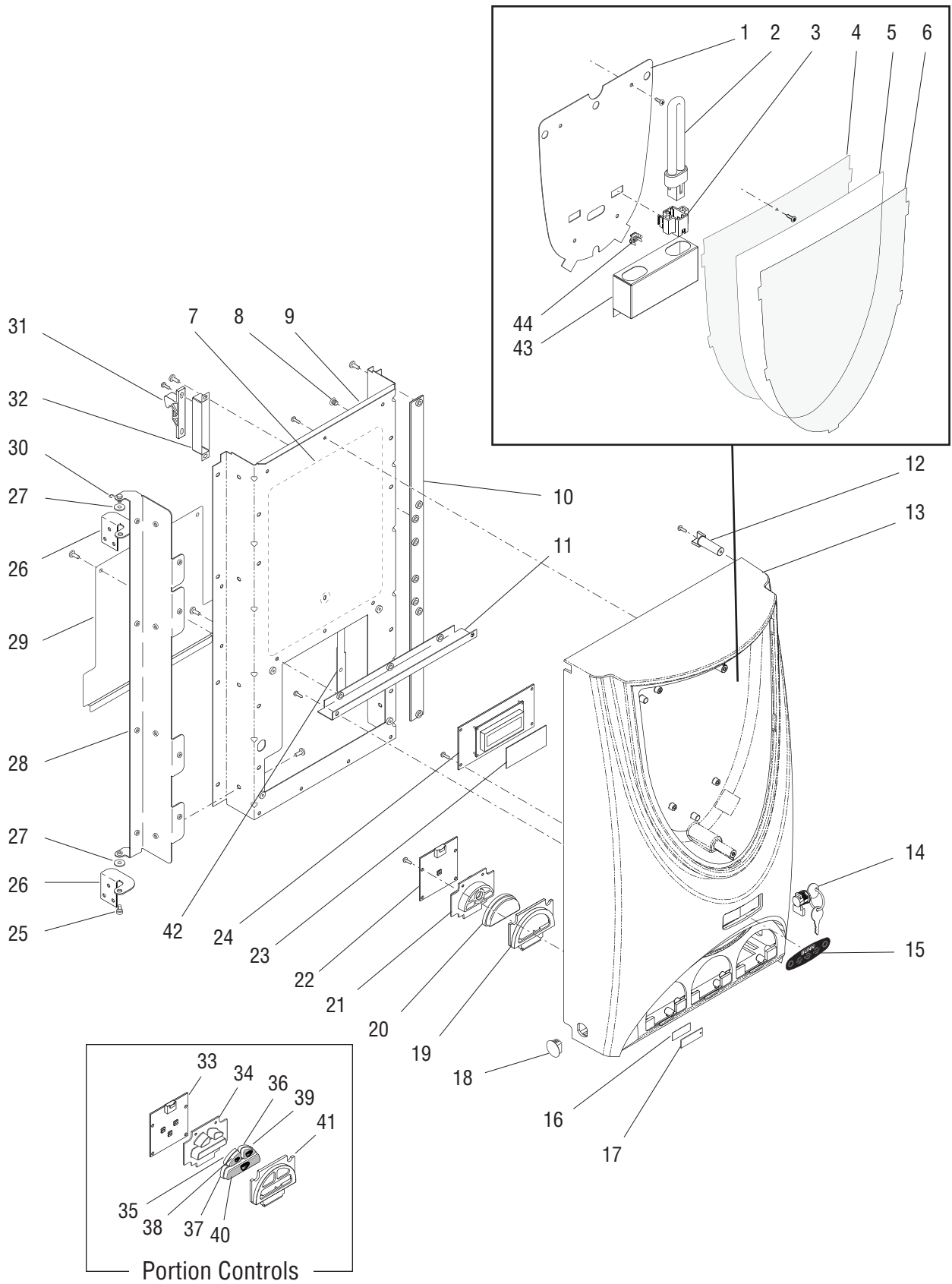
(Continued)



COVERS, PANELS AND DRIP TRAY

ITEM	PART NO.	QTY.	DESCRIPTION
17	02536.0000	2	Grommet, Silicone .375" ID
18	36983.0000	1	Guide, Cup
19	37462.0000	1	Bracket, Drip Tray
	01311.0001	2	Screw, Truss Head - Locking #8-32 x .25"
20	36985.0000	1	Cover, Drip Tray
21	36984.0000	1	Drip Tray
22	36972.1000	1	Panel, Lower Access (Includes item 23)
	01311.0000	3	Screw, Truss Head #8-32 x .25"
23	37478.0000	1	Schematic 120V
	37478.0001	1	Schematic 230V
24	36743.0000	1	Cap, Splash Panel Left
	38044.0000	2	Screw, Pan Head Plastite #6 x .375"
25	36974.0001	1	Shelf, Powder Box
	01311.0001	2	Screw, Truss Head - Locking #8-32 x .25"
	02336.0000	2	Screw, Truss Head #4-40 x .375"
26	36398.0000	1	Plug, Hole DB-9 (Early Models)
27	02434.0008*	4	Gasket, U-Channel 4.60" (Order item 40)
28	01526.0001	4	Washer, Flat .438" ID x 1.88" OD
29	03996.0000	4	Pad, Rubber 1.25" Dia. (Also see item 39)
30	26528.0000	4	Leg, 4.0" Adjustable (Also see item 39)
31	36963.0000	1	Panel, Bottom
32	36229.0001	1	Panel, Inner Left (Right Hinged Door)
	36229.0002	1	Panel, Inner Left (Left Hinged Door)
	01311.0001	2	Screw, Truss Head - Locking #8-32 x .25"
33	36961.1001	1	Panel Assembly, Rear - BLK (Includes items 34 and 35)
	36961.0002	1	Panel Assembly, Rear - SST
	01311.0003	11	Screw, Truss Head BLK #8-32 x .25"
	01311.0000	11	Screw, Truss Head SST #8-32 x .25"
34	00831.0000	1	Decal, Warning-Electrical
35	00656.0001	1	Decal, Comply to Plumbing Code
36	37881.0000	4	Decal, No Serviceable Parts
37	00824.0002	1	Decal, Grounding
38	21436.0000	2	Catch, Magnetic Snap-in (Late Models)
39	13255.0003	-	Kit, Leg 4.0" Adjustable (Includes 4 each of items 29 & 30)
40	02434.1000	-	Gasket, U-Channel - 18" LG
	02434.1001	-	Gasket, U-Channel - 36" LG

* Indicates the part number listed is for reference only. See DESCRIPTION for possible service replacement.



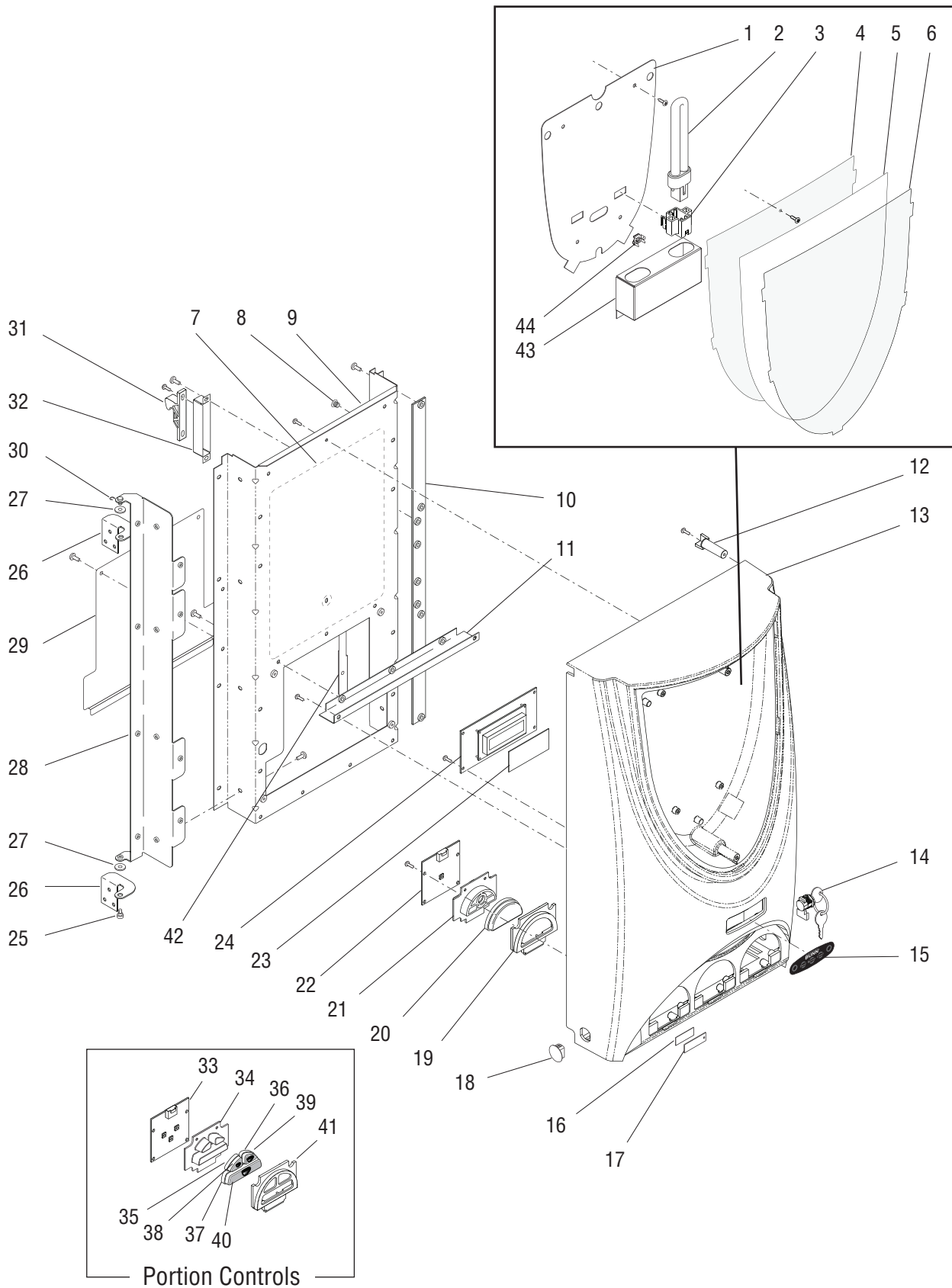
DOOR, LAMP, DISPENSE SWITCHES AND PANELS

ITEM	PART NO.	QTY.	DESCRIPTION
1	37466.0003 38044.0000	1 4	Panel, Lamp Screw, Pan Head Plastite #6 x .375"
2	32806.0000	2	Lamp, Fluorescent - 7 Watts
3	32807.0001	2	Lamp Holder, Fluorescent
4	37456.0000 02336.0000	1 2	Lens, Fixed Screw, Truss Head #4-40 x .375"
5	37457.0000 37457.0006	1 1	Display, Graphics Display, Graphics Iced Coffee
6	37456.0001	1	Lens, Removable
7	37254.0000	1	Decal, Cleaning
8	36149.0000	8	Fastener, Snap-in .197" Hole
9	36667.1001 36667.1003 38044.0000 01311.0001	1 1 8 19	Panel, Door - Upper (Includes item 7)(Right Hinged Door) Panel, Door - Upper (Includes item 7)(Left Hinged Door) Screw, Pan Head Plastite #6 x .375" Screw, Truss Head Locking #8-32 x .25"
10	36658.0000	1	Flange, Door
11	36734.0001 38044.0000	1 2	Bracket, Inner Panel Screw, Pan Head Plastite #6 x .375"
12	36244.0000 38044.0000	1 1	Plug, Door Hinge Screw, Pan Head Plastite #6 x .375"
13	37096.0001	1	Door
14	32863.1000 28095.0000	1 1	Keylock W/Keys, Door Key Set
15	36231.0000 36231.0001	1 1	Switch, Membrane Program (Self Serve Models) Switch, Membrane Program (Portion Control Models)
16	36795.0000	3	Strip, Flavor Adhesive
17	36796.0001	3	Strip, Flavor Door
18	00669.0004	1	Plug, .75" x .625" hole
19	36762.0000	3	Switch Housing, Single Button (Self Serve Models)
20	36761.0000	3	Cover, Switch (Self Serve Models)
21	36763.0000	3	Switch Pad, Single Button (Self Serve Models)
22	37672.1000 38044.0000	3 12	Circuit Board Assy, Dispense Button (Self Serve Models) Screw, Pan Head Plastite #6 x .375"
23	37013.0000	1	Cover, LCD Door Lens
24	36147.1000 38962.1000 38044.0000	1 1 4	Circuit Board Assy, Display Circuit Board Assy, Display (RoHS Compliant) Screw, Pan Head Plastite #6 x .375"
25	24457.0002	1	Screw, .25" Shoulder #8-32
26	36647.0000 36647.0001 01311.0001	2 2 6	Bracket, Hinge (Left Side Hinge) Bracket, Hinge (Right Side Hinge) Screw, Truss Head #8-32 x .25" Locking

(Continued)

* Indicates the part number listed is for reference only. See DESCRIPTION for possible service replacement.

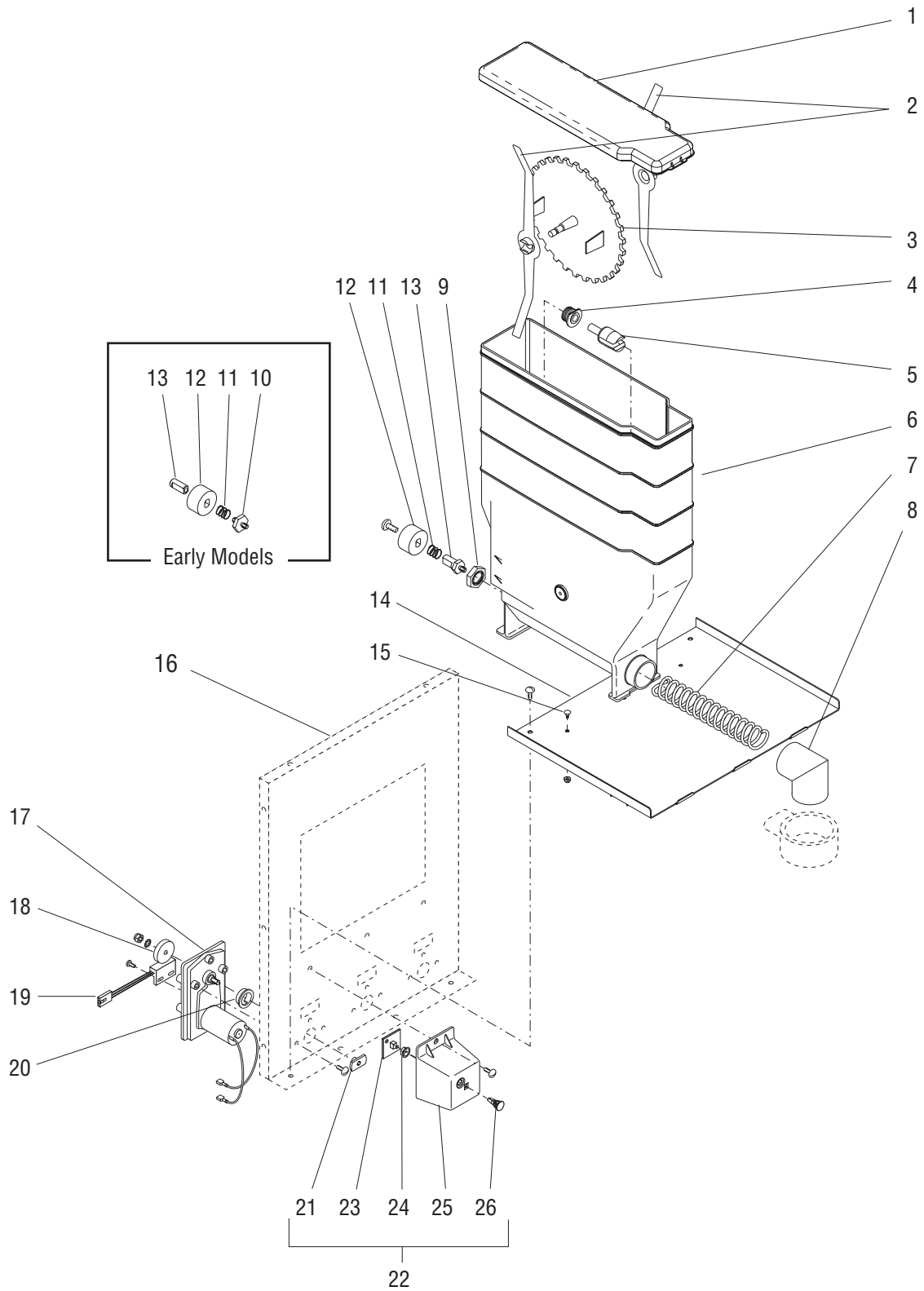
(Continued)



DOOR, LAMP, DISPENSE SWITCHES AND PANELS

ITEM	PART NO.	QTY.	DESCRIPTION
27	34362.0000	2	Bushing, Hinge
28	36661.0000	1	Flange, Door Hinge (Left Hinged Door)
	36661.0001	1	Flange, Door Hinge (Right Hinged Door)
29	36659.0001	1	Panel, Door - Lower (Right Hinged Door)
	36659.0003	1	Panel, Door - Lower (Left Hinged Door)
	01311.0000	4	Screw, Truss Head #8-32 x .25"
30	01403.0000	1	E-Ring, External .188" Shaft
31	34667.0000	1	Keeper, Door Latch
	01382.0000	2	Screw, Truss Head #6-32 x .38"
32	36669.0000	1	Bracket, Keeper Mounting
	01311.0001	2	Screw, Truss Head #8-32 x .25" Locking
33	35877.1002	3	Circuit Board Assy, Dispense Button (Portion Control Models)
	38963.1000	3	Circuit Board Assy, Dispense Button (Portion Control Models)(RoHS Compliant)
	38044.0000	12	Screw, Pan Head Plastite #6 x .375"
34	36763.0002	3	Switch Pad, Three Button (Portion Control Models)
35	36761.0003	3	Switch Cover, Small (Portion Control Models)
36	36761.0004	3	Switch Cover, Medium (Portion Control Models)
37	36761.0002	3	Switch Cover, Large (Portion Control Models)
38	37823.0000*	3	Inlay, Switch Cover, Small (Portion Control Models)
39	37823.0001*	3	Inlay, Switch Cover, Medium (Portion Control Models)
40	37823.0002*	3	Inlay, Switch Cover, Large (Portion Control Models)
41	36762.0002	3	Switch Housing, Three Button (Portion Control Models)
42	40031.1000	1	Baffle Kit, Left Hand Hinge
	40031.1001	1	Baffle Kit, Right Hand Hinge
43	40032.0000	1	Bracket
44	28335.0000	1	Clip, Grounding
	NOTE: The following items are not illustrated		
45	39038.0000	1	Plate, Latch Mounting (Left Hinged Door)
	01382.0000	2	Screw, Truss Head #6-32 x .38"
46	26444.0000	2	Bushing, Strain Relief
47	36888.0000	1	Wiring Harness, Door Interconnect 120V (Includes item 45)(Left Side Hinge)
	36888.0001	1	Wiring Harness, Door Interconnect 120V (Includes item 45)(Right Side Hinge)
48	36887.0003	1	Wiring Harness, Backlight
49	36889.0000	3	Wiring Harness, Dispense Button (Early Models)
50	38749.0000	1	Decal, Flavors (Almond Amaretto, Cappuccino, French Vanilla, Hazelnut, Chocolate Raspberry, Cappuccino Supreme, Hot Chocolate, Raspberry Mocha, Swiss Mocha, Mocha, Raspberry Vanilla, Irish Creme, Coffee, Original, Chocolate French Vanilla, Butter Pecan, White Chocolate, Cinnamon Vanilla Nut, Decaf, Regular, Apple Cider, Fat Free French Vanilla, Cinnamon Vanilla, English Toffee)
51	38749.0003	1	Decal, Iced Coffee Flavors (Espresso Latte, Mocha Latte, Colombian, Dark Roast, Raspberry Coffee, Hazelnut Coffee, French Vanilla Latte, Caramel Latte, Chai Tea Latte, Horchatta)
51	37823.1000	-	Inlay Kit (Includes items 38 - 40)

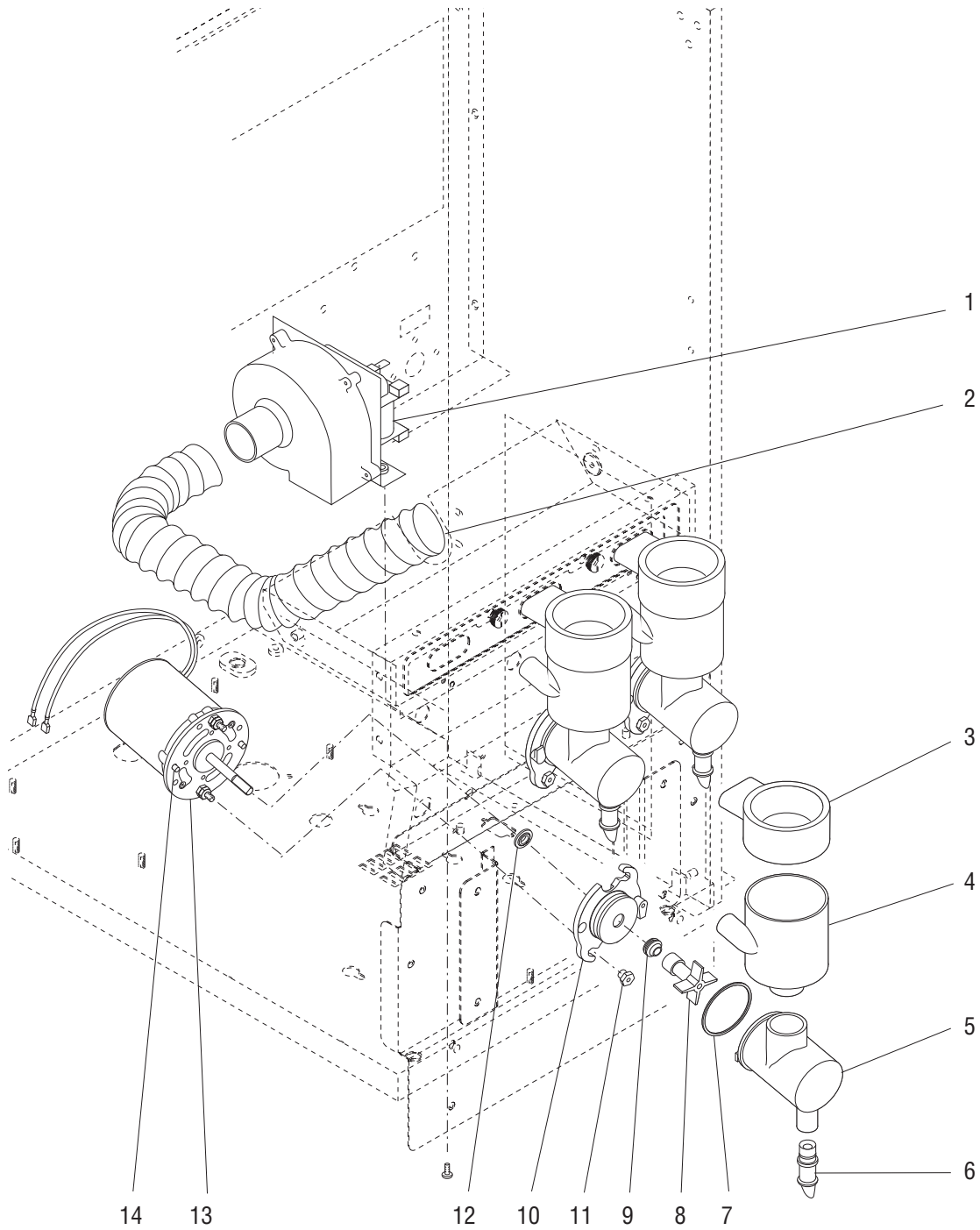
* Indicates the part number listed is for reference only. See DESCRIPTION for possible service replacement.



AUGER DRIVE AND HOPPER ASSEMBLY

ITEM	PART NO.	QTY.	DESCRIPTION
-	37010.1001	1	Hopper Assy (Includes one each of items 1-13)
1	36653.0001	3	Lid, Hopper
2	32337.0000	6	Mixing Blade
3	32386.0001	3	Disk, Agitator (30 Tooth)
4	28067.0000	3	Bushing, Auger Drive Shaft
5	26940.0002	3	Shaft, Auger Drive
6	37011.0001	3	Hopper
7	39442.0000	3	Auger, Wire
8	25903.0000	3	Elbow, Ejector
9	25743.0000	3	Locknut
10	36772.0000*	3	Coupling, Hex (Early models only)
11	36774.0000	3	Spring, Hopper Coupling
12	36770.0000	3	Coupling, Auger Drive
	01326.0002	3	Screw, Truss Head #10-32 x .25" (Late models only)
13	36771.0000*	3	Shaft, Auger Drive Coupling (Early models)
	37539.1000	3	Shaft, Auger Drive (Late models)
14	36970.0000	1	Panel, Hopper Support
	01311.0000	2	Screw, Truss Head #8-32 x .25" Locking
15	20960.0000	3	Screw, Shoulder #6-32 x .375"
	00991.0002	3	Nut, Elastic Lock #6-32
16	-----	-	See COVERS, PANELS & DRIP TRAYS
17	37037.0000	3	Gearmotor Assy, Auger (Each includes items 18 thru 21)
	01311.0000	9	Screw, Truss Head #8-32 x .25"
18	32654.0000	1	Magnet Hub, 8 Pole #10 ID x 1.0" OD
	01512.0000	1	Lockwasher, Ext Tooth #10
	00991.0003	1	Nut, Elastic Lock #10-32
19	33608.1000	1	Sensor Assy, RPM
	02336.0000	2	Screw, Truss Head #4-40 x .38"
20	26401.0000	1	Dust Seal, Hopper Motor
21	36773.0000	1	Plate, Auger Drive
22	37682.0000	3	Housing Assy, Sensor CB (Each includes items 23 thru 26)
	01315.0000	3	Screw, Truss Head #8-32 x .38"
23	36114.1000	1	CB Assy, Powder Sensor (Order item 22)
	38958.1000	1	CB Assy, Powder Sensor (Order item 22) (RoHS Compliant)
24	00970.0000	1	Nut, Keps #8-32
25	36243.0000	1	Housing Sensor CB
26	36764.0000	1	Spacer, Circuit Board
27	35260.0000	3	Cable Mount, Adhesive (Not Illustrated)

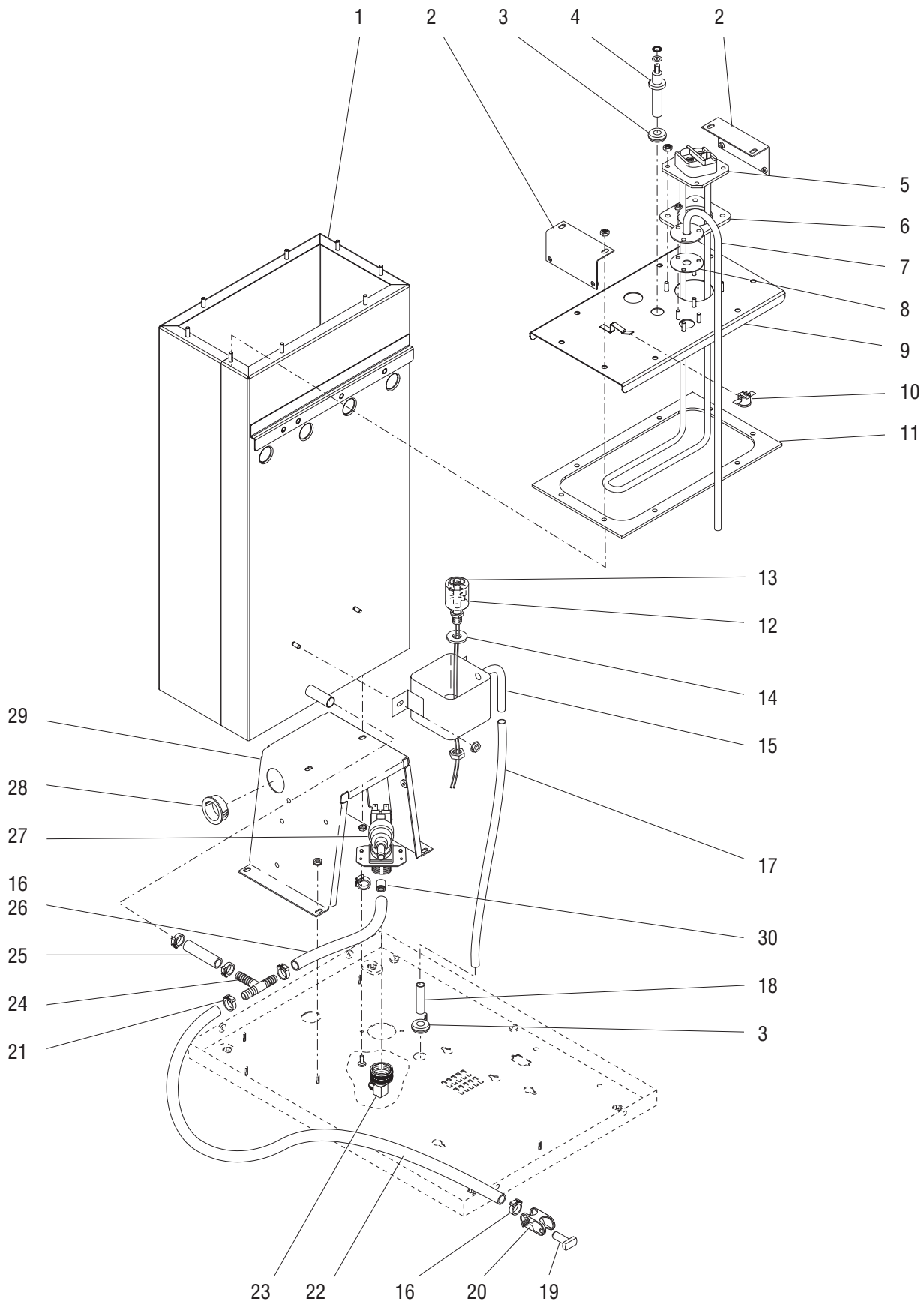
* Indicates the part number listed is for reference only. See DESCRIPTION for possible service replacement.



MIXING/WHIPPER CHAMBERS AND DRIVE MOTOR

ITEM	PART NO.	QTY.	DESCRIPTION
1	28295.0000	1	Fan & Bracket Assembly 120V
	28295.0001	1	Fan & Bracket Assembly 230V
	01311.0001	2	Screw, Truss Head - Locking #8-32 x .25"
2	28297.0001	1	Hose, Vacuum
3	25732.0000	3	Steam Collector
4	25733.0003	3	Mixing Chamber
5	25734.1000	3	Whipper Chamber
	25734.7002	3	Whipper Chamber (IMIX-3C)
6	25736.0000	3	Dispense Tip
	25736.0001	3	Dispense Tip, Red
7	24733.0010	3	O-Ring
8	25902.0000	3	Frother
9	26356.0000	3	Seal, Shaft
	26356.1000	-	Kit, Shaft Seal (Includes 6 Seals)
10	28866.0000	3	Receptacle, Whipper Chamber
11	28865.0000	6	Nut, Whipper Motor/Receptacle Mounting
12	28867.0000	3	Slinger
13	28428.1000	3	Motor, Whipper 120V (Includes item 14)
	28428.1002	3	Motor, Whipper 230V (Includes item 14)
14	32306.0000	6	Spacer
15	32906.0001	-	Kit, Preventive Maintenance (Includes items 3 thru 10 and 25903.0000 Elbow)

* Indicates the part number listed is for reference only. See DESCRIPTION for possible service replacement.



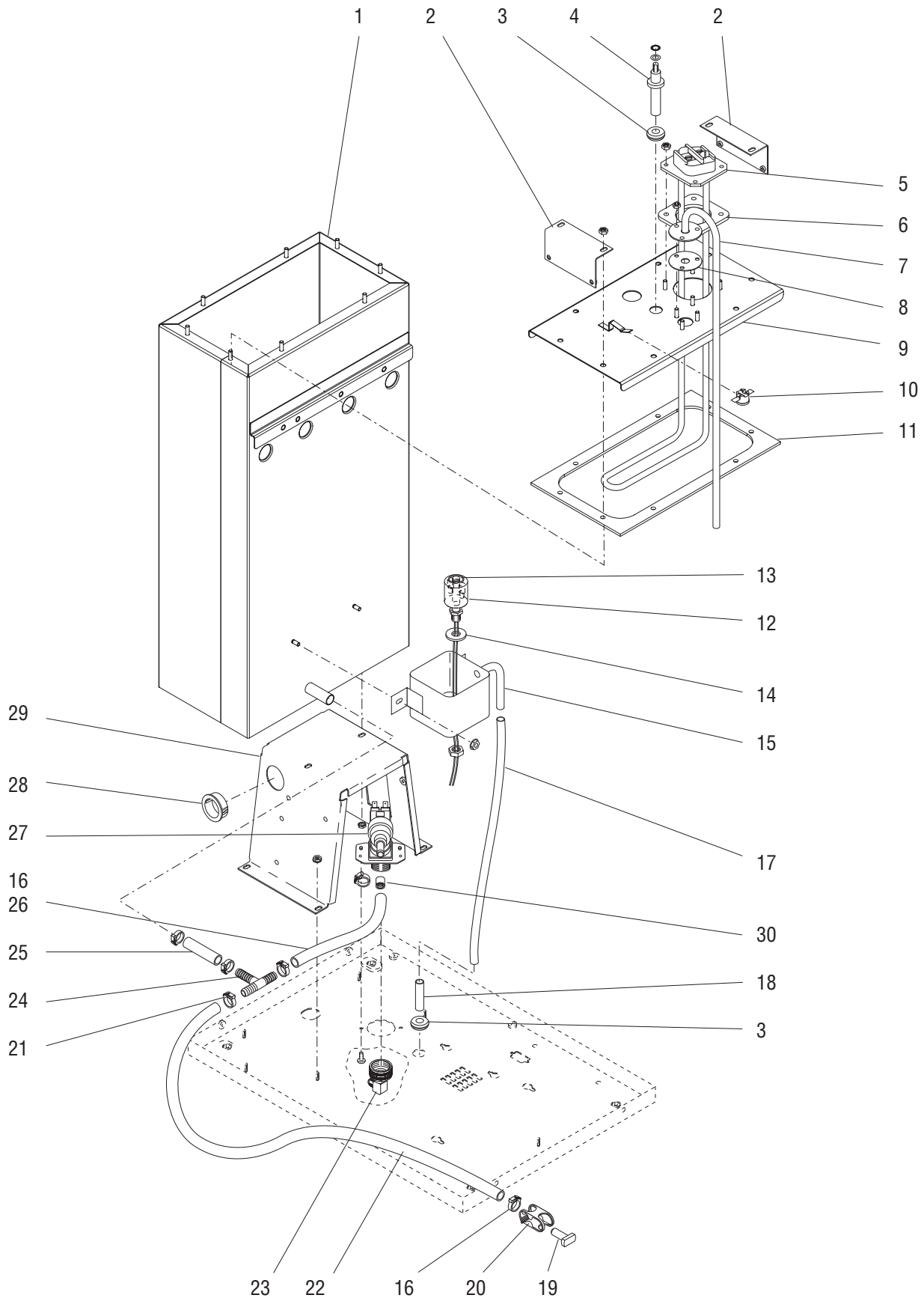
TANK, HEATER AND OVERFLOW PROTECTION

ITEM	PART NO.	QTY.	DESCRIPTION
1	-----	1	Tank, Rounded (For first replacement, order Squared Tank, Lid & Gasket)
	37098.0002	1	Tank, Squared (With copper overflow cup)
	37098.1004	1	Tank, Squared (With aluminum overflow cup)
	00970.0000	2	Nut, Keps #8-32
2	36226.0000	2	Bracket, Tank Mounting Upper
	00970.0000	4	Nut, Keps #8-32
3	02536.0000	2	Grommet, .375" I.D.
4	20936.1000	1	Probe Kit (Includes items indented below)
	20203.0100	1	Lockwasher, Internal Tooth #8
	01501.0000	1	Washer, Flat .164" ID x .375" OD
	00908.0000	1	Nut, #8-32
5	36741.1000	1	Tank Heater, 1700W 120V (Includes item 6)
	36741.1001	1	Tank Heater, 1320W 120V (Includes item 6)
	36740.1000	1	Tank Heater, 3500W 230V (Includes item 6)
	00908.0000	4	Nut, #8-32
6	12398.0000	1	Gasket, Tank Heater
7	36220.0000	1	Tube, Overflow
	00908.0000	3	Nut, #8-32
8	05515.0000	1	Gasket, Overflow Tube
9	-----	1	Lid, Rounded Tank (For first replacement, order Squared Tank, Lid & Gasket)
	35940.0002	1	Lid, Squared Tank
	00908.0000	4	Nut, Hex #8-32
10	29329.1000	1	Thermostat, Limit
11	35937.0001	1	Gasket, Rounded Tank Lid
	35937.0003	1	Gasket, Squared Tank Lid
12	03803.0002	1	Switch Assy, Liquid Level (Includes items 13 & 14)
	00946.0000	1	Nut, Hex .125" FPT
13	03807.0000	1	Clip, Spring
14	03633.0000	1	Gasket, Float Switch
15	22728.0000	1	Overflow Cup (Copper)
	00970.0000	2	Nut, Keps #8-32
	41259.1003	1	Overflow Cup (Aluminum)
	41266.0000	1	Film
	41280.0001	1	Elbow
	04797.0000	1	Washer
16	12422.0001	2	Clamp, Hose .59"/.66" ID
17	28526.0028*	1	Tube, Silicone .312" ID x 9.5" (Order item 32)
18	21801.0002	1	Tube .375" O.D. x 1.50" LG

(continued)

* Indicates the part number listed is for reference only. See DESCRIPTION for possible service replacement.

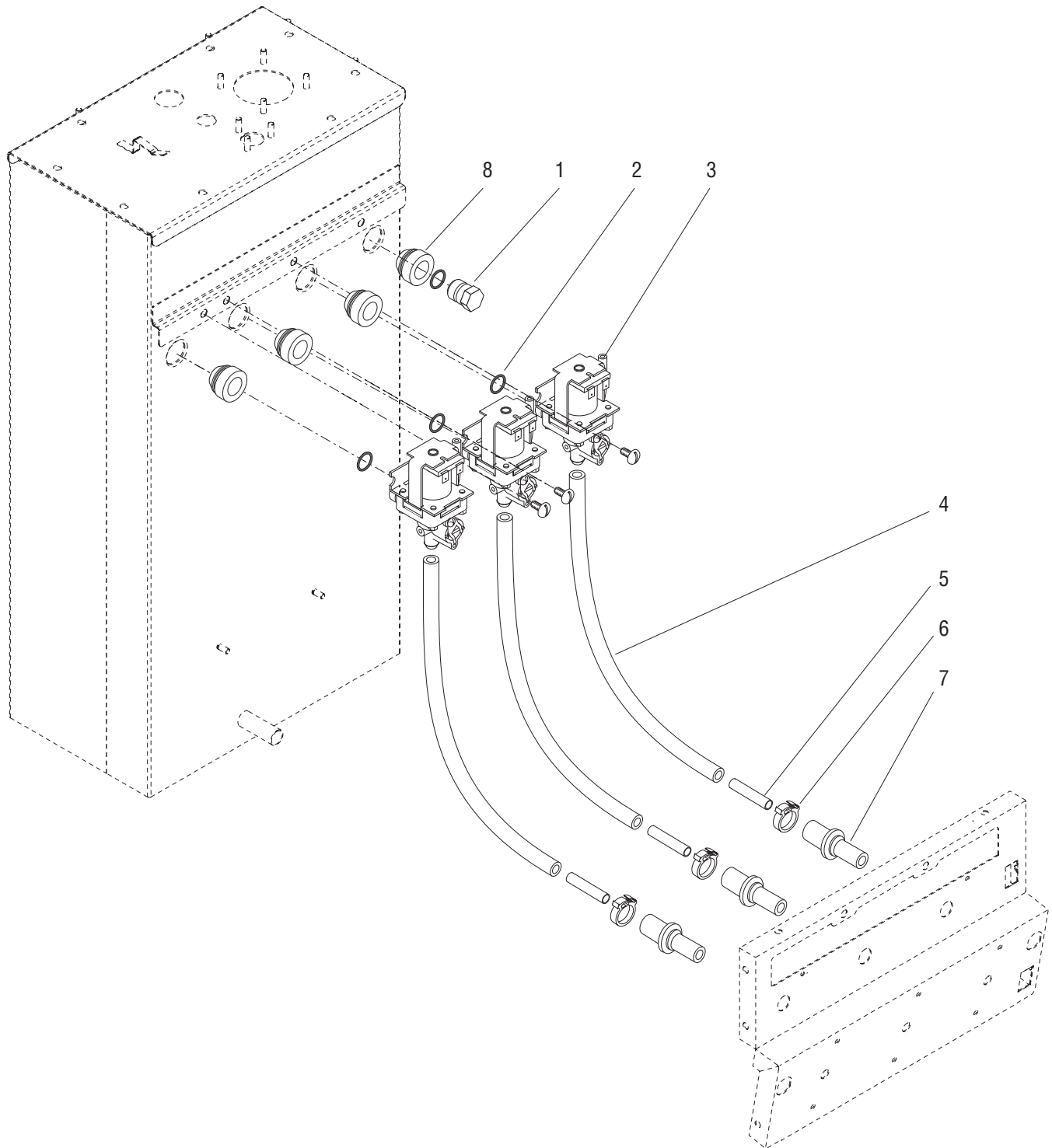
(continued)



TANK, HEATER AND OVERFLOW PROTECTION

ITEM	PART NO.	QTY.	DESCRIPTION	
19	34392.0000	1	Plug, Hose .375" ID	
20	11630.0001	1	Clamp, Shut Off	
21	12422.0005	4	Clamp, Hose .62"/.71" ID	
22	20976.0056*	1	Tube, Silicone .375" ID x 28.0" (Order item 33)	
23	37297.0006	1	Elbow, .25" Flare x .75" FTHRD	
24	38948.0000	1	Tee, .50" Barb	
25	20976.0017*	1	Tube, Silicone .375" ID x 2.0" (Order item 33)	
26	20976.0055*	1	Tube, Silicone .375" ID x 9.0" (Order item 33)	
27	36233.1000	1	Valve, Water Inlet 120V	} See item 36
	36233.0001	1	Valve, Water Inlet 230V	
	32283.0000	2	Screw, Pan Head M4 x 6MM	
28	01592.0001	1	Bushing, Snap 1.18" Dia. Hole	
29	37099.0000	1	Bracket, Tank Mounting Lower	
	00970.0000	4	Nut, Keps #8-32	
30	36378.0001	1	Valve, Check 2.5 psi	
31	36222.0001*	1	Insulation, Tank	} Not Illustrated
32	28526.1000	-	Tube, Silicone .312" ID x .562" OD x 12"	
	28526.1001	-	Tube, Silicone .312" ID x .562" OD x 36"	
	28526.1002	-	Tube, Silicone .312" ID x .562" OD x 60"	
	28526.1003	-	Tube, Silicone .312" ID x .562" OD x 120"	
33	20976.1000	-	Tube, Silicone, .375" ID x .50" OD x 12.0"	
	20976.1001	-	Tube, Silicone, .375" ID x .50" OD x 36.0"	
	20976.1002	-	Tube, Silicone, .375" ID x .50" OD x 120.0"	
34	35946.0002	1	Baffle	
35	34572.0000	2	Panel, Baffle Insert	
	34765.0000	4	Nut, Flanged #10-32	
36	43644.0000	-	Kit, Valve Rebuild	

* Indicates the part number listed is for reference only. See DESCRIPTION for possible service replacement.

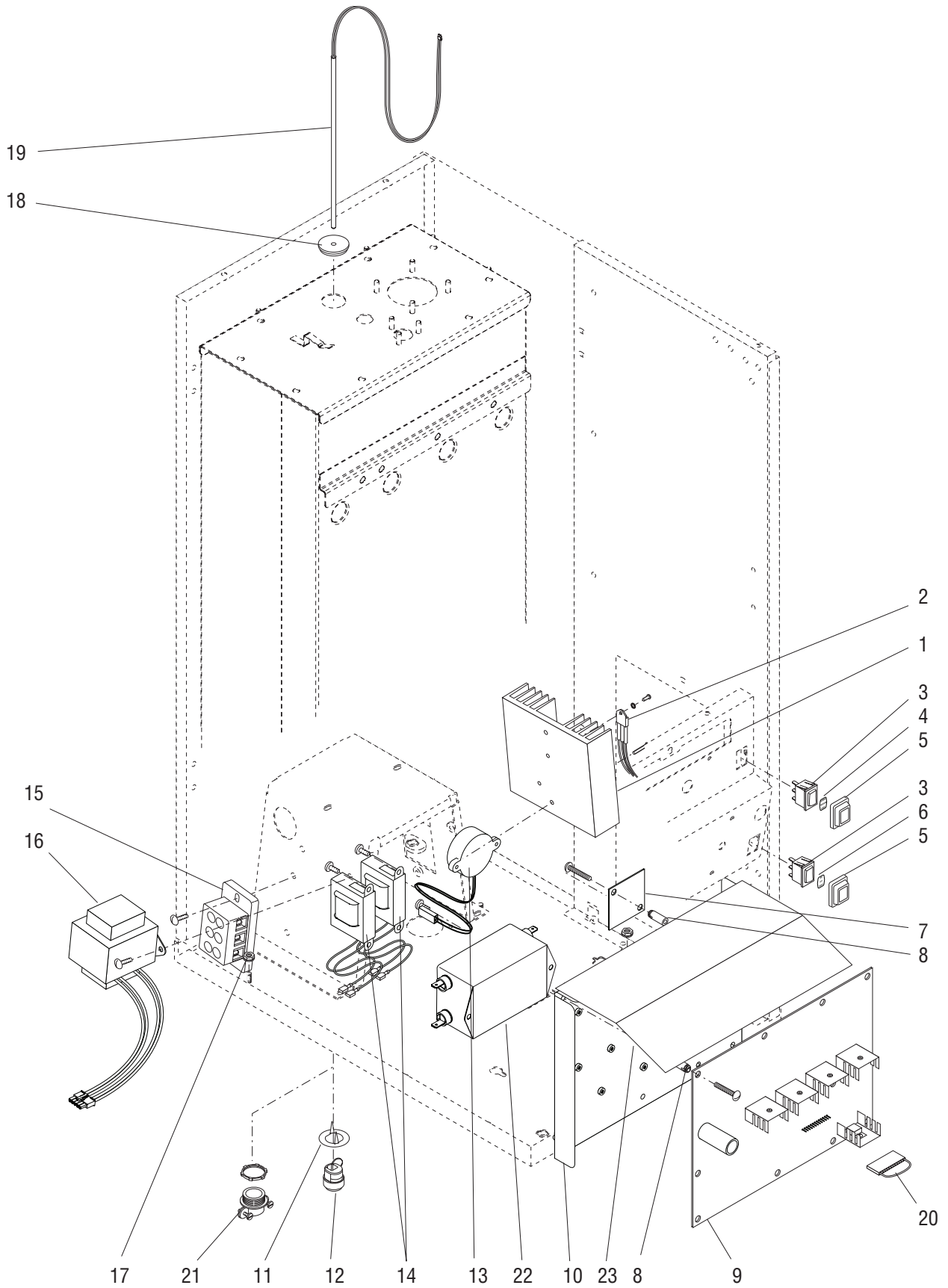


DISPENSE VALVES AND LINES

ITEM	PART NO.	QTY.	DESCRIPTION
1	26369.1000	1	Plug (Includes item 2)
2	24733.0011	4	O-Ring
3	39285.1001	3	Valve, Liquid Dispense 120V (Includes item 2)
	39285.1002	3	Valve, Liquid Dispense 230V (Includes item 2)
	01326.0000	3	Screw, Truss Head #10-32 x .25"
4	28526.0027*	3	Tube, Silicone .312" ID x 16.5" (Order item 9)
5	21801.0002	3	Tube, .375" OD x 1.50"
6	12422.0001	3	Clamp, Hose .59"/.66" ID
7	25803.0000	3	Water Inlet, Mixing Chamber
8	37970.0000	4	Grommet
9	28526.1001	-	Tube, Silicone .312" I.D. x .438" O.D. x 36"
	28526.1002	-	Tube, Silicone .312" I.D. x .438" O.D. x 60"
	28526.1003	-	Tube, Silicone .312" I.D. x .438" O.D. x 120"
10	45964.1000	-	Repair Kit, Dispense Valve (Includes Spring, Plunger, and Diaphragm)

} Not
Illustrated

* Indicates the part number listed is for reference only. See DESCRIPTION for possible service replacement.



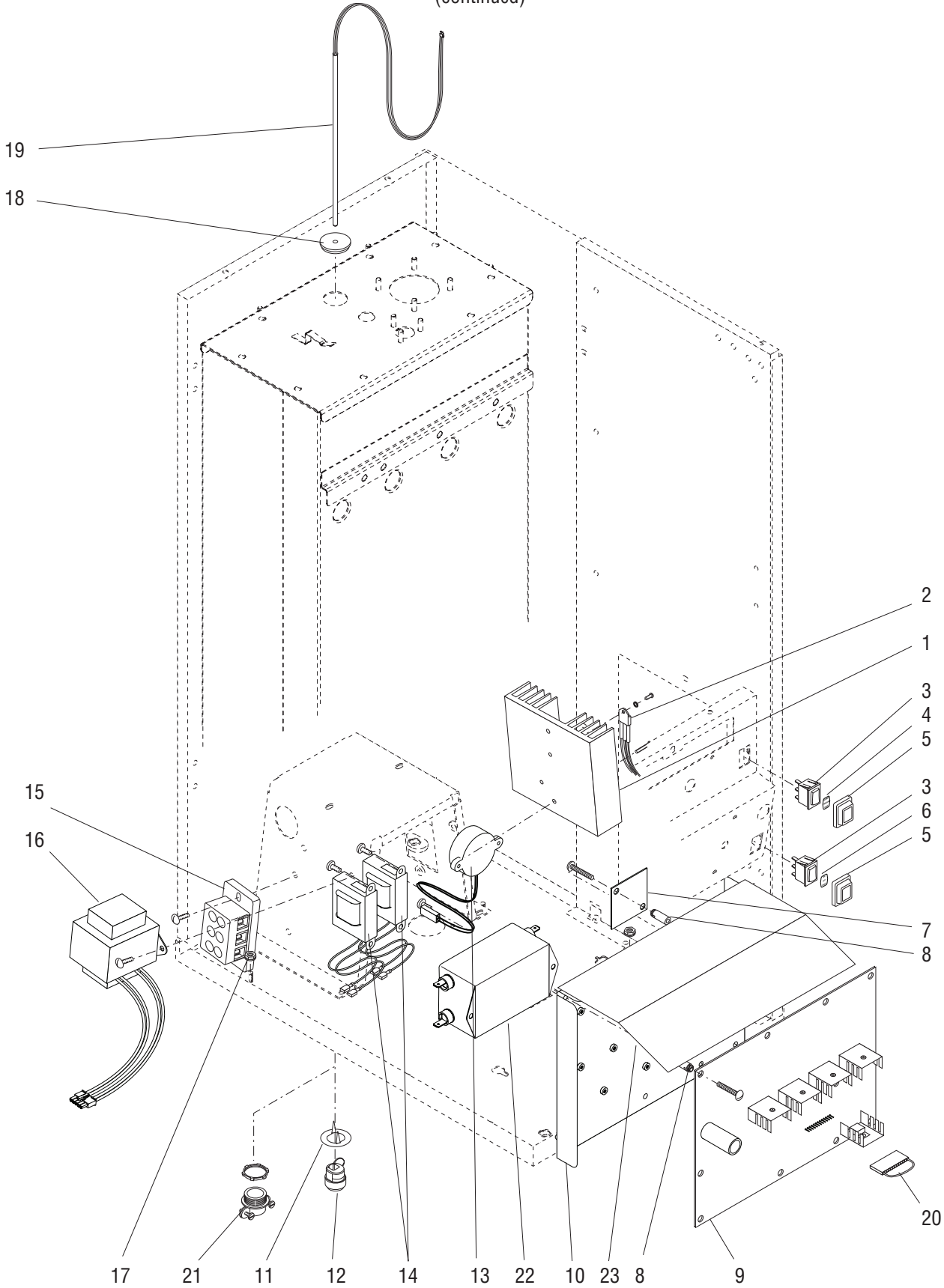
ELECTRICAL CONTROLS

ITEM	PART NO.	QTY.	DESCRIPTION
1	20541.0001	1	Heat Sink
	01347.0000	2	Screw, Truss Head #6-32 x .375"
2	12565.1024	1	Triac Assy, 120V, 40 Amp (also order item 31)
	12565.0018	1	Triac Assy, 230V, 40 Amp (also order item 31)
	01520.0000	1	Lockwasher, Split #6
	02328.0003	1	Screw, Pan Head #6-32 x .312"
3	27437.0001	2	Switch, Rocker NORMAL/PROGRAM/RINSE and ON/OFF/NIGHT
4	37192.0000	1	Decal, Switch - NORMAL/PROGRAM/RINSE
5	34390.0000	2	Cap, Rocker Switch
6	37193.0000	1	Decal, Switch - ON/OFF/NIGHT
7	36449.1000	1	Control Board Assy, Memory
	38712.1000	1	Control Board Assy, Memory (RoHS Compliant)
	01382.0008	2	Screw, Truss Head #6-32 x 1.0" } Early Models
8	29081.0004	12	Spacer, .153" ID x .62" LG (2 less with Late Models)
9	37104.1000	1	Control Board Assy, Main
	38961.1000	1	Control Board Assy, Main (RoHS Compliant)
	01382.0008	10	Screw, Truss Head #6-32 x 1.0"
10	36976.0001	1	Bracket, Component Mounting (Early Models)
	36976.0002	1	Bracket, Component Mounting (Late Models)
	01311.0001	2	Screw, Truss Head Locking #8-32 x .25"
11	00715.0000	1	Adapter Washer, Strain Relief 120V
12	00713.0000	1	Bushing, Strain Relief 120V
13	33147.0002	1	Audio Indicator Assy
	01382.0000	2	Screw, Truss Head #6-32 x .375"
14	28327.0002	2	Ballast, 120V-60HZ W/Terminals
	39642.0000	2	Ballast, 230V-60HZ W/Terminals
	01382.0000	4	Screw, Truss Head #6-32 x .375"
15	07038.0000	1	Terminal Block, 120V
	01106.0000	1	Terminal Block, 230V
	01317.0000	2	Screw, Truss Head #8-32 x .50"
16	34829.0001	1	Transformer Assy, 120V to 24V
	34829.0002	1	Transformer Assy, 230V to 24V
	01317.0000	2	Screw, Truss Head #8-32 x .50"
17	00970.0000	2	Nut, Ground Keps #8-32
18	33801.0001	1	Grommet, Temp Sensor
19	39085.0002	1	Probe, Temperature & Dry Plug
20	37780.0001	1	Jumper, IMIX-3
21	01685.0000	1	Connector, Cord 230V
22	36801.0001	1	EMI Filter 230V
23	46640.0000	1	Drip Shield

(continued)

* Indicates the part number listed is for reference only. See DESCRIPTION for possible service replacement.

(continued)



ELECTRICAL CONTROLS

ITEM	PART NO.	QTY.	DESCRIPTION
The following items are not illustrated			
24	20630.0005	1	Cord Assembly, Power 120V only
25	36849.0000	1	Wiring Harness, Power 120V
	36849.0001	1	Wiring Harness, Power 230V
26	36850.0000	1	Wiring Harness, Switch
27	36844.0005	1	Wiring Harness, I/O Head #1
28	36844.0006	1	Wiring Harness, I/O Head #2
29	36844.0007	1	Wiring Harness, I/O Head #3
30	36676.0001	1	Wiring Harness, Memory Board (Early Models)
31	M2522.1000	-	Heat Sink Compound
32	37842.0000	1	Wiring Harness, EMI Filter 230V
33	37998.0000	1	Lead, Limit to Tank Heater 230V

* Indicates the part number listed is for reference only. See DESCRIPTION for possible service replacement.

NUMERICAL INDEX

PART NO.	PAGE NO.	PART NO.	PAGE NO.	PART NO.	PAGE NO.	PART NO.	PAGE NO.
00656.0001	7	20960.0000	13	32386.0001	13	36667.1001	9
00669.0004	9	20976.0017	19	32654.0000	13	36667.1003	9
00713.0000	23	20976.0055	19	32806.0000	9	36669.0000	11
00715.0000	23	20976.0056	19	32807.0001	9	36676.0001	25
00824.0002	7	20976.1000	19	32863.1000	9	36734.0001	9
00831.0000	7	20976.1001	19	32906.0001	15	36740.1000	17
00908.0000	17	20976.1002	19	33147.0002	23	36741.1000	17
00946.0000	17	21436.0000	7	33608.1000	13	36741.1001	17
00970.0000	13,17,19,23	21801.0002	17,21	33801.0001	23	36743.0000	7
00991.0002	13	22728.0000	17	34362.0000	11	36743.0001	5
00991.0003	13	24457.0002	9	34390.0000	23	36761.0000	9
01106.0000	23	24733.0010	15	34392.0000	19	36761.0002	11
01308.0000	5	24733.0011	21	34572.0000	19	36761.0003	11
01311.0000	5,7,11,13	25732.0000	15	34666.0000	5	36761.0004	11
01311.0001	5,7,9,11,15,23	25733.0003	15	34667.0000	11	36762.0000	9
01311.0003	5,7	25734.1000	15	34765.0000	19	36762.0002	11
01315.0000	13	25734.7002	15	34829.0001	23	36763.0000	9
01317.0000	23	25736.0000	15	34829.0002	23	36763.0002	11
01326.0000	21	25736.0001	15	34998.0000	5	36764.0000	13
01326.0002	13	25743.0000	13	35260.0000	13	36770.0000	13
01347.0000	23	25803.0000	21	35877.1002	11	36771.0000	13
01382.0000	11,23	25902.0000	15	35912.0001	5	36772.0000	13
01382.0002	5	25903.0000	13	35912.0002	5	36773.0000	13
01382.0008	23	26356.0000	15	35926.0000	5	36774.0000	13
01403.0000	11	26356.1000	15	35937.0001	17	36795.0000	9
01501.0000	17	26369.1000	21	35937.0003	17	36796.0001	9
01509.0001	5	26401.0000	13	35940.0002	17	36801.0001	23
01512.0000	13	26444.0000	11	35946.0002	19	36844.0005	25
01520.0000	23	26528.0000	7	36114.1000	13	36844.0006	25
01526.0001	7	26940.0002	13	36147.1000	9	36844.0007	25
01592.0001	19	27437.0001	23	36149.0000	9	36849.0000	25
01685.0000	23	28067.0000	13	36220.0000	17	36849.0001	25
02328.0003	23	28095.0000	9	36222.0001	19	36850.0000	25
02336.0000	5,7,9,13	28295.0000	15	36226.0000	17	36887.0003	11
02434.0008	7	28295.0001	15	36229.0001	7	36888.0000	11
02434.1000	7	28297.0001	15	36229.0002	7	36888.0001	11
02434.1001	7	28327.0002	23	36230.0001	5	36889.0000	11
02536.0000	7,17	28328.0011	5	36230.0002	5	36958.0001	5
03633.0000	17	28328.0013	5	36231.0000	9	36958.0002	5
03803.0002	17	28335.0000	11	36231.0001	9	36959.0001	5
03807.0000	17	28428.1000	15	36233.1000	19	36959.0002	5
03996.0000	7	28428.1002	15	36233.0001	19	36961.0002	7
04797.0000	17	28526.0027	21	36243.0000	13	36961.1001	7
05515.0000	17	28526.0028	17	36244.0000	9	36963.0000	7
07038.0000	23	28526.1000	19	36378.0001	19	36965.0000	5
11630.0001	19	28526.1001	19,21	36398.0000	7	36965.0003	5
12398.0000	17	28526.1002	19,21	36449.1000	23	36967.0002	5
12422.0001	17,21	28526.1003	19,21	36644.0000	5	36968.0001	5
12422.0005	19	28865.0000	15	36647.0000	9	36970.0000	13
12565.0018	23	28866.0000	15	36647.0001	9	36972.1000	7
12565.1024	23	28867.0000	1	36653.0001	13	36974.0001	7
13255.0003	7	29081.0004	23	36658.0000	9	36976.0001	23
20203.0100	17	29329.1000	17	36659.0001	11	36976.0002	23
20541.0001	23	32283.0000	19	36659.0003	11	36978.0000	5
20630.0005	25	32306.0000	15	36661.0000	11	36978.0001	5
20936.1000	17	32337.0000	13	36661.0001	11	36983.0000	7

NUMERICAL INDEX

PART NO.	PAGE NO.	PART NO.	PAGE NO.	PART NO.	PAGE NO.	PART NO.	PAGE NO.
36984.0000.....	7	40032.0000.....	11				
36985.0000.....	7	41259.1003.....	17				
36986.0000.....	5	41266.0000.....	17				
37010.1001.....	13	41280.0001.....	17				
37011.0001.....	13	43644.0000.....	19				
37013.0000.....	9	45964.1000.....	21				
37037.0000.....	13	46640.0000.....	23				
37096.0001.....	9	M2522.1000	25				
37098.0002.....	17						
37098.1004.....	17						
37099.0000.....	19						
37104.1000.....	23						
37192.0000.....	23						
37193.0000.....	23						
37254.0000.....	9						
37297.0006.....	19						
37456.0000.....	9						
37456.0001.....	9						
37457.0000.....	9						
37457.0006.....	9						
37462.0000.....	7						
37466.0003.....	9						
37478.0000.....	7						
37478.0001.....	7						
37498.1000.....	5						
37498.1001.....	5						
37539.1000.....	13						
37672.1000.....	9						
37682.0000.....	13						
37780.0001.....	23						
37823.0000.....	11						
37823.0001.....	11						
37823.0002.....	11						
37823.1000.....	11						
37842.0000.....	25						
37881.0000.....	7						
37970.0000.....	21						
37988.0000.....	5						
37998.0000.....	25						
38044.0000.....	5,7,9,11						
38712.1000.....	23						
38749.0000.....	11						
38749.0003.....	11						
38948.0000.....	19						
38958.1000.....	13						
38961.1000.....	23						
38962.1000.....	23						
38963.1000.....	11						
39038.0000.....	11						
39085.0002.....	23						
39285.1001.....	21						
39285.1002.....	21						
39442.0000.....	13						
39642.0000.....	23						
40031.1000.....	11						
40031.1001.....	11						