

Ultra™ High Performance Frozen Beverage System with 2 Hoppers

ITEM#

PROJECT

DATE



Ultra-2 HP


Dimensions:

31.9"H x 16"W x 24.5"D

(81 cm H x 40.6 cm W x 62.2 cm D)

Features

Ultra High Performance Gourmet Ice® System

- Reversing auger design quickens freeze time and reduces air mixing
- Very simple to program and run with touchpad display, which also guides cleaning and preventive maintenance
- Refrigeration system internally monitored to ensure long lasting performance
- Liquid Auto Fill (LAFI) models available (see back)
- Large 3 gallon (11.4 litre) hoppers for optimum cooling and serving capacity
- Full 2-year parts and 1-year labor warranty. 5-year parts and 1-year labor warranty on compressor and 3-year parts and labor warranty on electronics. See the product manual for additional details
- Sanitation listed by NSF to Standard 6 and 18 (including dairy & alcohol) and safety listed by ETL to UL Standard (UL 471) and CSA Standard (C22.2 No. 120)
- White/Stainless, Black,Stainless and all Black finishes available.
- Liquid Auto Fill (LAFI) models available (see back)
- CFV (Constant Flow Valve) models available see spec sheet D1b at bunn.com
- Preventive maintenance kit: 34245.0000 

For current specification sheets and other information, go to www.bunn.com.

Related Products

Liquid Autofill Kits (LAF)

For use with external brix pumps.

Product No.: 37960.0000

(4 water lines)

Product No.: 37960.0001

(2 water lines)

Kit for Ultra-2 Lid Lock

Part Number: 34996.0000 (white)

Kit for Ultra-2 Lid Lock and Handles

Part Number: 34996.0002 (white)

Kit for Ultra-2 Handle Loc

Part Number: 34996.0004 (white & black)

Kit for Ultra-2 Lid Lock Kit

Part Number: 34996.0001 (black)

Kit for Ultra-2 Lid Lock and Handles

Part Number: 34996.0003 (black)



Model

ULTRA-2, HP

Agency Listing

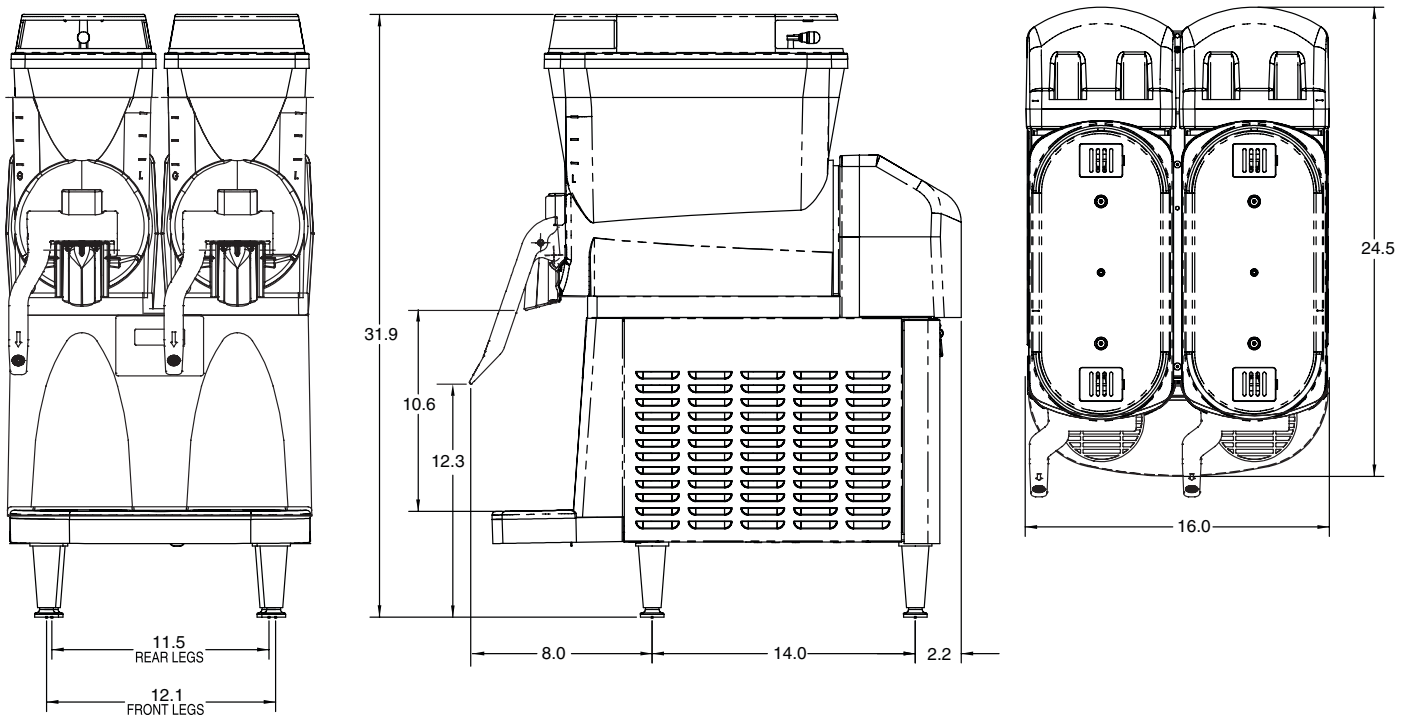


Dimensions & Specifications

Model	Product #	Volts	Amps	Capacity per hopper	Cubic Measure	Shipping Weight	Cord Attached
ULTRA-2, HP (Stainless/White)	34000.0079	120	12	2@3.0 gal	14.9 ft ³	137 lbs.	Yes*
ULTRA-2, HP (Stainless/Black)	34000.0081	120	12	2@3.0 gal	14.9 ft ³	137 lbs.	Yes*
ULTRA-2, HP (All Black)	34000.0080	120	12	2 @3.0 gal	14.9 ft ³	137 lbs.	Yes*
Liquid Autofill Models:							
ULTRA-2, HP LAFI (Stainless/White)	34000.0067	120	12	2@3.0 gal	14.9 ft ³	137 lbs.	Yes*
ULTRA-2, HP LAFI (Stainless/Black)	34000.0099	120	12	2@3.0 gal	14.9 ft ³	137 lbs.	Yes*
ULTRA-2, HP LAFI (All Black)	34000.0515	120	12	2@3.0 gal	14.9 ft ³	137 lbs.	Yes*

*Power cord (NEMA 5-15P) 15 Amp-120V machine only.

Electrical: Models require 2-wires plus ground service rated 120V, single phase, 50/60 Hz.



Bunn-O-Matic® Corporation - 1400 Stevenson Drive Springfield, Illinois 62703 • 800-637-8606 • 217-529-6601 • Fax 217-529-6644 • www.bunn.com

BUNN® practices continuous product research and improvement. We reserve the right to change specifications and product design without notice. Such revisions do not entitle the buyer to corresponding changes, improvements, additions or replacements for previously purchased equipment.

All dimensions shown in inches.

9/12 © Bunn-O-Matic Corporation