

# Champion®

The Dishwashing Machine Specialists

Project \_\_\_\_\_  
Item No. \_\_\_\_\_  
Quantity \_\_\_\_\_

## STANDARD FEATURES

- **NEW** Factory authorized startup
- **ENERGY STAR®** Qualified
- **Exclusive DualRinse Technology**
- Dual-pawl cradle drive system
- One-piece cast stainless steel upper & lower spray arm assemblies
- Internal removable scrap basket and two-piece scrap screen
- Standard vertical opening accommodates 18" x 26" sheet pans
- Wide leakproof swing out insulated hinged doors on wash tank
- Anti-jam conveyor drive system
- Energy Sentinel (Idle pump shut-off)
- Convenient top-mounted controls
- Automatic tank fill
- Door safety switch
- Never leak, ball valve drain closure
- Enclosure panels (front and sides)
- Stainless steel heavy-gauge construction, including base and feet
- Electric tank heat
- Wash pump 2 Hp motor
- Stainless steel pump and impeller
- Single-point electrical connection
- Self-diagnostic controls
- Vent fan control switch
- Stainless steel rear manifolds

## PREWASH MODELS ONLY

- External prewash scrap basket
- Prewash pump 1 Hp motor
- 22" Prewash
- 26" Prewash
- 36" Prewash

*The DualRinse feature offers the **Lowest Water/Utility/Chemical Consumption** while circulating a generous 300+ gallons of water for **Consistently Good Results***

## DualRinse™ 44 DR SERIES

44 DR, 66 DRPW, 70 DRFFPW, 80 DRHDPW

High-Temperature  
Rack Conveyor Dishwashing Machine with  
**Dual Stage Rinse**



Model 44 DR  
Shown with Vent Cowl  
and Damper Option

*Photo is for general visual representation only. Please refer to specifications for the latest detailed product information.*

## SPECIFIER STATEMENT

Specified unit will be Champion Model 44 DR Series high temperature dual rinse rack conveyor dishwashing machine. Features top mounted control cabinet; upper and lower one-piece stainless steel spray arm assemblies, removable internal scrap basket with two-piece scrap screen. Swing out insulated front access doors. Anti-jam conveyor drive system.

1 year parts and labor warranty.



Champion Industries, Inc.  
2674 N. Service Road,  
Jordan Station, Ontario, Canada L0R 1S0  
Tel: 905/562-4195 Fax: 905/562-4618

Champion Industries, Inc.  
3765 Champion Blvd., Winston-Salem, NC 27105  
Tel: 336/661-1556 Fax: 336/661-1979  
[www.championindustries.com](http://www.championindustries.com)



# 44 DR SERIES

44 DR, 66 DRPW, 70 DRFFPW, 80 DRHDPW

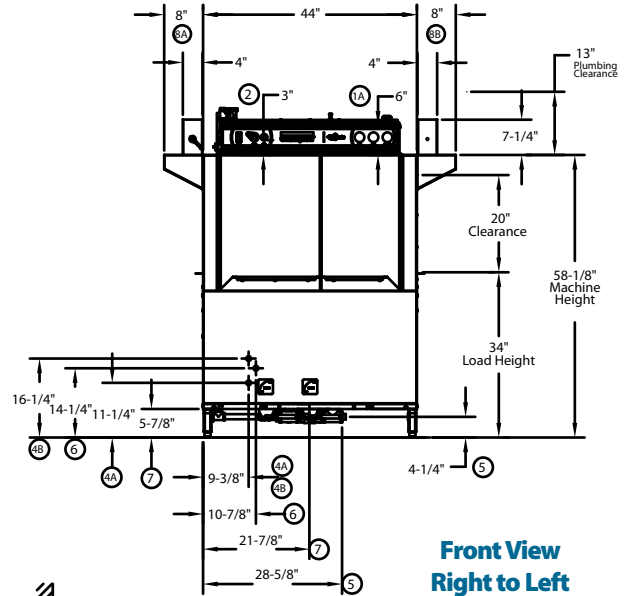
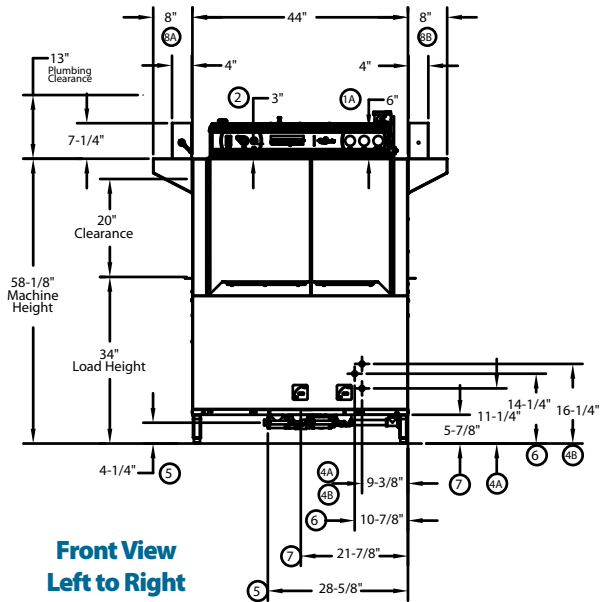
High-Temperature  
Rack Conveyor Dishwashing Machine with  
**Dual Stage Rinse**

# Champion®

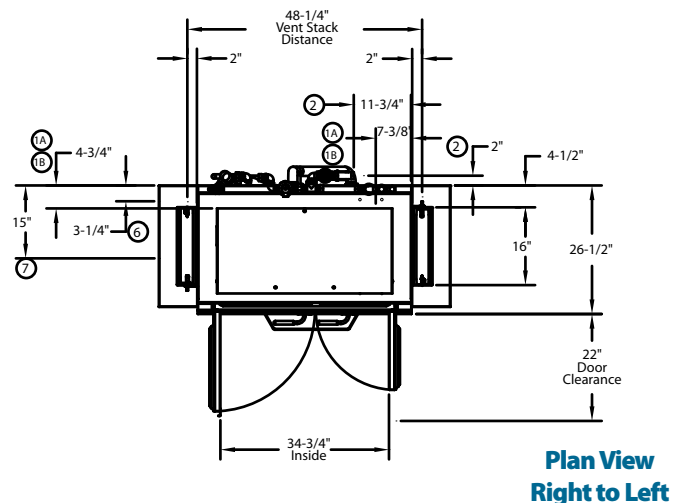
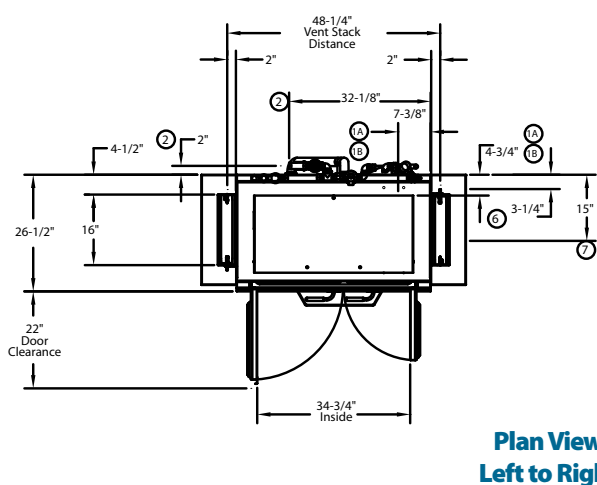
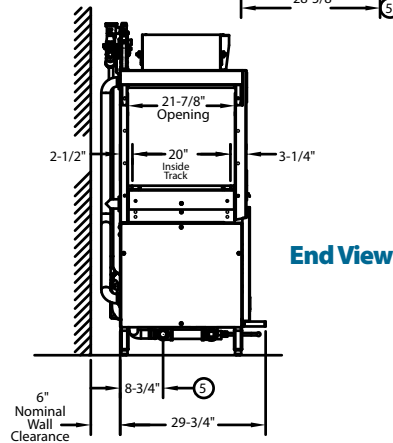
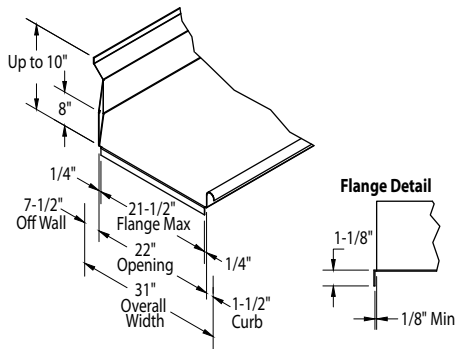
The Dishwashing Machine Specialists

**MODEL 44 DR** Shipping weight crated: **600 lbs.**

Dimensions shown in inches [mm]



## Suggested Table Construction



Due to an ongoing value analysis program at Champion, specifications contained in this catalog are subject to change without notice.

Champion Industries, Inc., 3765 Champion Blvd., Winston-Salem, NC 27105 • 336/661-1556 • Fax: 336/661-1979 • www.championindustries.com  
2674 N. Service Road, Jordan Station, Ontario, Canada L0R 1S0 • 905/562-4195 • Fax: 905/562-4618

# 44 DR SERIES

44 DR, 66 DRPW, 70 DRFFPW, 80 DRHDPW

High-Temperature  
 Rack Conveyor Dishwashing Machine with  
**Dual Stage Rinse**

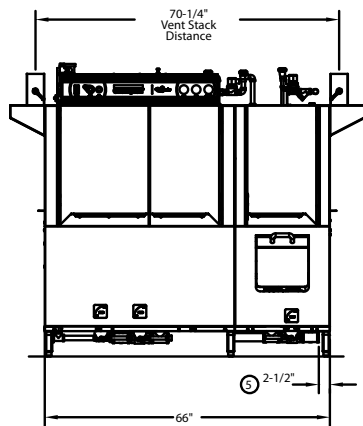
# Champion<sup>®</sup>

The Dishwashing Machine Specialists

Dimensions shown in inches [mm]

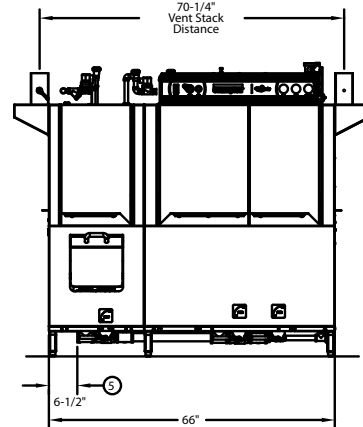
## MODEL 66 DRPW WITH 22" PREWASH

Shipping weight crated: **800 lbs.**



Front View

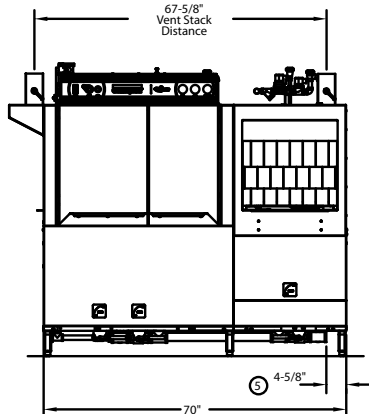
Right to Left



Left to Right

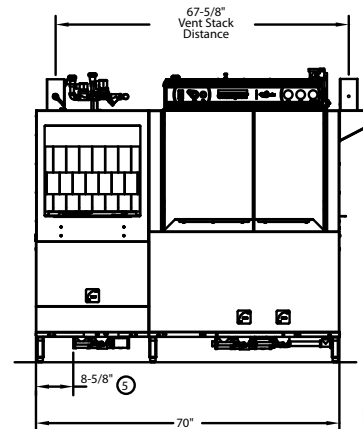
## MODEL 70 DRFFPW WITH 26" FRONT FEED PREWASH

Shipping weight crated: **850 lbs.**



Front View

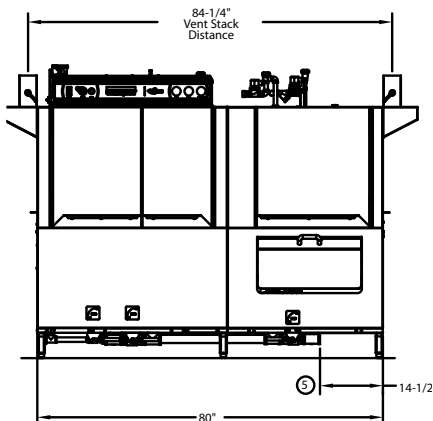
Right to Left



Left to Right

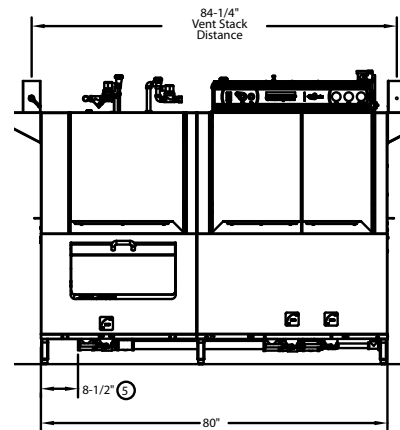
## MODEL 80 DRHDPW WITH 36" HEAVY DUTY PREWASH

Shipping weight crated: **950 lbs.**



Front View

Right to Left



Left to Right

**NOTE:** For complete machine dimensions, plan view, end view, specifications and table construction see 44 DR drawing page.

# 44 DR SERIES

44 DR, 66 DRPW, 70 DRFFPW, 80 DRHDPW

High-Temperature  
Rack Conveyor Dishwashing Machine with  
**Dual Stage Rinse**

# Champion<sup>®</sup>

The Dishwashing Machine Specialists

Dimensions shown in inches

Utilities	
<b>1</b>	<b>Electrical Connection</b> <b>A</b> Machine electrical connection <b>B</b> Booster electrical connection
<b>2</b>	<b>Hot Water</b> Main connection 3/4" NPT
<b>3</b>	<b>Cold Water</b> Contact Factory
<b>4</b>	<b>Hot Water Tank</b> <b>A</b> Heat inlet connection 1" NPT <b>B</b> Heat return connection 1" NPT
<b>5</b>	<b>Drain</b> Connection 1 1/2" NPT
<b>6</b>	<b>Steam</b> Inlet connection 1 1/4" NPT
<b>7</b>	<b>Condensate</b> Connection 1" NPT return to boiler
<b>8</b>	<b>Vents</b> <b>A</b> Stack connection - Load end 200 CFM @ 1/4" static pressure <b>B</b> Stack connection - Unload end 400 CFM @ 1/4" static pressure

**Warning:** Plumbing and electrical connections should be made by qualified personnel who will observe all the applicable plumbing, sanitary, safety codes and the National Electrical Code.

**Note:** Water Hammer Arrestor (meeting ASSE-1010 standard or equivalent) to be supplied (by others) in common water supply line at service connection.

**Plumbing Notes:** Because of the variation in house-supplied steam and water pressures, steam and water pressure regulating valves (PRVs) may be needed. (Water PRV is standard on machines with booster) The PRVs can either be purchased from Champion or obtained locally.

**Venting Notes:** Fabricated duct size: 3-7/8" x 15-7/8" (Outside dimensions)

Contact factory for single phase information.

**44 DR Only**  
**TABLE A - Machine Connection**

Machine only				
Elec. Specs.	Rated Amps	Minimum Supply Ckt. Conductor Ampacity	Minimum Overcurrent Protective Device	
208/60/3	70	90	90	
240/60/3	62	80	80	
480/60/3	31	40	40	
575/60/3	24	35	35	

**44 DR Only**  
**TABLE B - Machine & Booster Connection**

40°F/22°C Rise – 12kW Machine and Electric built-in booster				
Elec. Specs.	Rated Amps	Minimum Supply Ckt. Conductor Ampacity	Minimum Overcurrent Protective Device	
208/60/3	104	150	150	
240/60/3	91	125	125	
480/60/3	46	60	60	
575/60/3	37	50	50	

**70°F/39°C Rise – 22 kW**  
**Machine and Electric built-in booster**

Elec. Specs.	Rated Amps	Minimum Supply Ckt. Conductor Ampacity	Minimum Overcurrent Protective Device	
208/60/3	131	175	175	
240/60/3	115	150	150	
480/60/3	58	80	80	
575/60/3	47	60	60	

**Machine and steam built-in booster**

Elec. Specs.	Rated Amps	Minimum Supply Ckt. Conductor Ampacity	Minimum Overcurrent Protective Device	
208/60/3	25	35	35	
240/60/3	22	30	30	
480/60/3	12	15	15	
575/60/3	9	15	15	

**12 kW Booster Only**

Elec. Specs.	Rated Amps	Minimum Supply Ckt. Conductor Ampacity	Minimum Overcurrent Protective Device	
208/60/3	33	45	45	
240/60/3	29	40	40	
480/60/3	14	20	20	
575/60/3	12	15	15	

**66 DRPW, 70 DRFFPW, 80 DRHDPW**  
**TABLE A - Machine Connection**

Machine only				
Elec. Specs.	Rated Amps	Minimum Supply Ckt. Conductor Ampacity	Minimum Overcurrent Protective Device	
208/60/3	74	100	100	
240/60/3	65	90	90	
480/60/3	33	45	45	
575/60/3	25	35	35	

**66 DRPW, 70 DRFFPW, 80 DRHDPW**  
**TABLE B - Machine & Booster Connection**

40°F/22°C Rise – 12kW Machine and Electric built-in booster				
Elec. Specs.	Rated Amps	Minimum Supply Ckt. Conductor Ampacity	Minimum Overcurrent Protective Device	
208/60/3	108	150	150	
240/60/3	94	125	125	
480/60/3	47	60	60	
575/60/3	37	50	50	

**70°F/39°C Rise – 22 kW**  
**Machine and Electric built-in booster**

Elec. Specs.	Rated Amps	Minimum Supply Ckt. Conductor Ampacity	Minimum Overcurrent Protective Device	
208/60/3	136	175	175	
240/60/3	118	150	150	
480/60/3	60	80	80	
575/60/3	47	60	60	

**Machine and steam built-in booster**

Elec. Specs.	Rated Amps	Minimum Supply Ckt. Conductor Ampacity	Minimum Overcurrent Protective Device	
208/60/3	29	40	40	
240/60/3	26	35	35	
480/60/3	15	20	20	
575/60/3	10	15	15	

**22 kW Booster Only**

Elec. Specs.	Rated Amps	Minimum Supply Ckt. Conductor Ampacity	Minimum Overcurrent Protective Device	
208/60/3	61	80	80	
240/60/3	53	70	70	
480/60/3	26	35	35	
575/60/3	22	30	30	

Due to an ongoing value analysis program at Champion, specifications contained in this catalog are subject to change without notice.

Champion Industries, Inc., 3765 Champion Blvd., Winston-Salem, NC 27105 • 336/661-1556 • Fax: 336/661-1979 • www.championindustries.com  
2674 N. Service Road, Jordan Station, Ontario, Canada L0R 1S0 • 905/562-4195 • Fax: 905/562-4618

# Champion®

The Dishwashing Machine Specialists

## 44 DR SERIES

44 DR, 66 DRPW, 70 DRFFPW, 80 DRHDPW

High-Temperature  
Rack Conveyor Dishwashing Machine with  
**Dual Stage Rinse**

### SPECIFICATIONS

#### Capacity

Racks per hr. (NSF rated)	208
Wash tank (US gal.)	21
Conveyor speed (ft/min.)	5.8

#### Motor Horsepower

Drive	1/6
Wash	2
Dual Rinse	1/10

#### Water Consumption

US Gal. per hr. (max. use)	112
US Gal. per rack	.54

#### Heating

Tank Heat, electric (kW)	15
DualRinse Tank Heat, electric (kW)	3
Tank heat, steam (lbs./hr. required at 15 PSI flow pressure)	75
Electric booster (built-in) (kW supplied for 40°F rise)	12
Electric booster (built-in) (kW supplied for 70°F rise)	22
Steam booster (lbs./hr. required for 40°F rise)	60
Steam booster (lbs./hr. required for 70°F rise)	110

*Booster heaters completely inter plumbed,  
Controls are interwired*

#### Venting

Load end (minimum CFM)	200
Unload end (minimum CFM)	400

#### Standard 20" x 20" rack complement

Peg	2
Flat	1



**NEW** Exclusive Digital Gauges



**NEW** Durable Stainless Steel Start/Stop Switches



One-Piece Cast Stainless Steel Spray Assembly



Stainless Steel Built-in Nested Booster



Two-Piece Scrap Screen



Built-in Scrap Basket for ease of cleaning

### LESS IS MORE WITH CHAMPION'S DUAL RINSE MODEL 44 DR SERIES

Check our NSF listings and you'll see the Dual Rinse offers the lowest water consumption in its class with less than .54 US gallons per rack. This ENERGY STAR® qualified product brings energy savings. Our 40°F rise booster only requires 12 kW and 70°F rise is only 22 kW.

What the numbers don't show you is the advantage that our Dual Rinse technology provides by making sure all wares are fully rinsed with more than 300 gallons per hour while actual fresh water consumption is only 112 gallons per hour.

# 44 DR SERIES

44 DR, 66 DRPW, 70 DRFFPW, 80 DRHDPW

High-Temperature  
Rack Conveyor Dishwashing Machine with  
**Dual Stage Rinse**

# Champion®

The Dishwashing Machine Specialists

## OPTIONS & ACCESSORIES

- Tank heat: choice of steam coil, steam injector, hot water coil
- 2 Hp prewash motor
- 48" Blower-dryer - steam or electric
- Booster Heaters (completely interplumbed, controls are interwired)
  - Steam: 40°F or 70°F rise
  - Electric: 12 kW (40°F rise) (built-in only)
  - Electric: 22 kW (70°F rise) (built-in only)
- Heat Recovery
- Cantilever sideloader (with or without hood) for 90° load operation
  - 24" Sideload
  - 30" Sideload (accepts sheet pans)
- Extended pawl bar (extended drive unit) for use with load tabling
- Racks: peg or flat racks (specify type)
- Steam pressure regulating valve (unmounted)
- Table limit switch, unmounted (recommended on all rack conveyor installations)
- Vent cowl, stainless steel with 7" stack and locking damper
- Extended vent hood, stainless steel with 7" stack and locking damper
- Water pressure regulating valve (unmounted) (standard with booster)
- Two-point electrical connection
- Water hammer kit
- Drain tempering kit
- Vertical clearance through machine: 24" (instead of standard 20") for larger ware
- Model CCT 180 (180° Corner Conveyor Table)
- Model CCT 90 (90° Corner Conveyor Table)
- Model RCT 64 or RCT 84 Roller Conveyor Table (See factory for custom length)
- Splash shields
- NEW** Champion ION scale prevention system



### NEW CCT 90

90° Corner Conveyor Table (shown)

### NEW CCT 180

180° Corner Conveyor Table  
also available



**Cantilever  
Sideloader**  
(No hood)



### Model RCT 64 or RCT 84

Roller  
Conveyor Table

Due to an ongoing value analysis program at Champion, specifications contained in this catalog are subject to change without notice.  
"USGBC" and related logo is a trademark owned by the U.S. Green Building Council and is used by permission.

Champion Industries, Inc., 3765 Champion Blvd., Winston-Salem, NC 27105 • 336/661-1556 • Fax: 336/661-1979 • www.championindustries.com  
2674 N. Service Road, Jordan Station, Ontario, Canada L0R 1S0 • 905/562-4195 • Fax: 905/562-4618