

# Champion®

The Dishwashing Machine Specialists

Project \_\_\_\_\_  
 Item No. \_\_\_\_\_  
 Quantity \_\_\_\_\_

UL-130 UNDERCOUNTER

## STANDARD FEATURES

- **Wash Refresh™** – Automatically drains the water for the next cycle, ensuring heavily soiled items are always sanitized with new wash water
- Pumped drain
- **StemSure™** – Soft start to protect glasses and dishes from chipping and breaking
- Door safety switch
- Low-water tank heat protection
- Built-in detergent, rinse-aid, and sanitizer dispensing pumps
- Wash pump, 1-Hp motor
- Electric tank heater
- Upper & lower interchangeable wash/rinse spray arms
- Top mounted controls
- Stainless steel top and side panels
- Single phase connection
- Stainless steel construction
- 115V power cord
- One year parts and labor warranty

## UL-130

Low Temperature  
Undercounter  
Dishwashing Machine



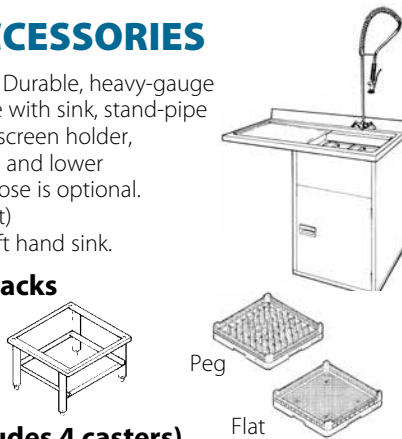
**NEW!**



*Photo is for general visual representation only. Please refer to specifications for the latest detailed product information.*

## OPTIONS & ACCESSORIES

- 1-RDT Dish Table** Durable, heavy-gauge stainless steel dish table with sink, stand-pipe drain, removable scrap screen holder, drain-board, backsplash and lower storage cabinet. Sprayhose is optional. See 1-RDT catalog sheet) Specify right hand or left hand sink.
- Additional Dish Racks**
- 17" Stand**  
Stainless Steel
- 6" Leg Stand**
- 1" Roller Kit (includes 4 casters)**



## SPECIFIER STATEMENT

Specified unit will be Champion model UL-130 undercounter low temperature dishwashing machine with built-in detergent, rinse-aid, and sanitizer dispensing pumps.

Features 141 second total cycle, 1 Hp pump motor, fill and dump, pumped drain. Constructed of stainless steel.

1 year parts and labor warranty.

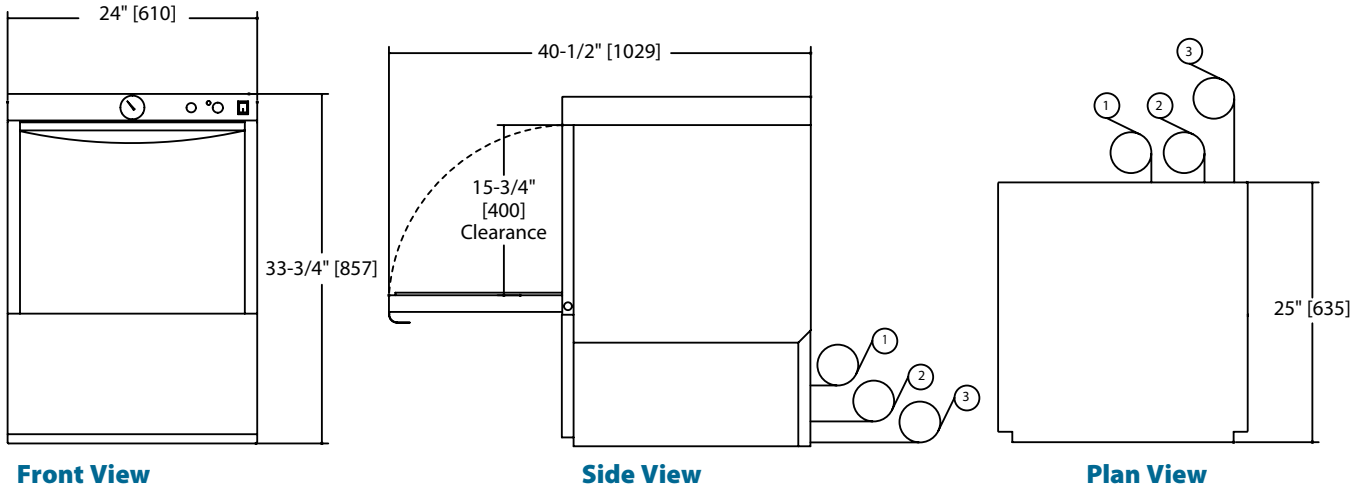
Champion Industries, Inc.  
 3765 Champion Blvd, NC 27105  
 Tel: 336/661-1556 Fax: 336/661-1979  
[www.championindustries.com](http://www.championindustries.com)

# UL-130

Low Temperature  
Undercounter  
Dishwashing Machine

**Champion**<sup>®</sup>  
The Dishwashing Machine Specialists

Dimensions shown in inches and [millimeters]



Utilities	
<b>1 Electrical</b>	115/60/1; 12-amp draw; to be fused at 15 amp. 4 ft. plug-in cord supplied.
<b>2 Water connection</b>	120°F minimum hot water connection (140°F recommended) 6 ft. long, 1/2" I.D. flexible fill hose with 3/4" hose connector. Flow pressure: 25-95 psi.
<b>3 Pumped Drain</b>	5/8" I.D. flexible reinforced hose, 6 ft. long. Max. drain flow 15 US gpm. Max. drain height 3 ft.

	Uncrated	Crated
<b>Height*</b>	33-3/4"	39-1/2"
<b>Width</b>	24"	25"
<b>Depth</b>	25"	25-1/2"
<b>Ship Wt. lbs/kg</b>	153	173

**Warning** Plumbing and electrical connections should be made by qualified personnel who will observe all the applicable plumbing, sanitary and safety codes and the National Electrical Code.

Due to an ongoing value analysis program at Champion, specifications contained in this catalog are subject to change without notice.

Champion Industries, Inc.,  
3765 Champion Blvd., NC 27105  
336/661-1556 • Fax: 336/661-1979  
ChampionIndustries.com

## SPECIFICATIONS

<b>Capacity</b>	Racks per hr.	25
<b>Motor horsepower</b>	Wash	1
<b>Water consumption</b>	U.S. Gal. per hr. (Max. use)	32
	U.S. Gal. per rack	1.5
<b>Temperatures °F</b>	Wash	120°F Min (140°F recommended)
	Rinse	120°F Min (140°F recommended)
<b>Heating</b>	Tank heat, electric (kW)	.75
<b>Time cycle in seconds</b>	Wash	90
	Rinse	26
	Drain/fill	25
	Total cycle	141
<b>Standard 20" x 20" rack complement</b>	Dish	1
	Open	1