



Item # _____
Model # _____
Quantity _____
Project # _____

Specifications & Features

Model # FW5004-2

Food Warmer

New style and special design.

Attractive circular arc sculpt.

Adjustable 3-trays display and four sides of glass.

Thermostat with monitor can control the temperature in the display case to even warmth.

Supply humidity by its system to keep food moist.

Heat preservation and humidity preservation.



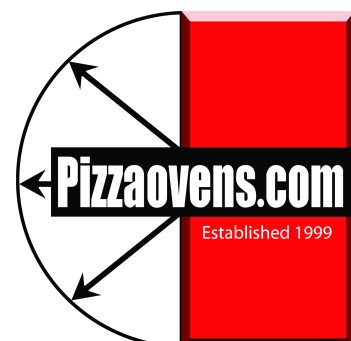
FEATURES:

- Adjustable thermostat, 1200 watt element.
- Two piece Tempered glass doors for easy access to food-zone.
- Chrome-plated racks can be placed up and down.
- Stainless steel and steel construction
- Attractive graphics for point-of-sale merchandising
- One year limited manufacturers warranty

Note: Dimensions and Specification are subject to change without notice.

Approvals

ETL





Dimensions and Specifications

Model # FW5004-2

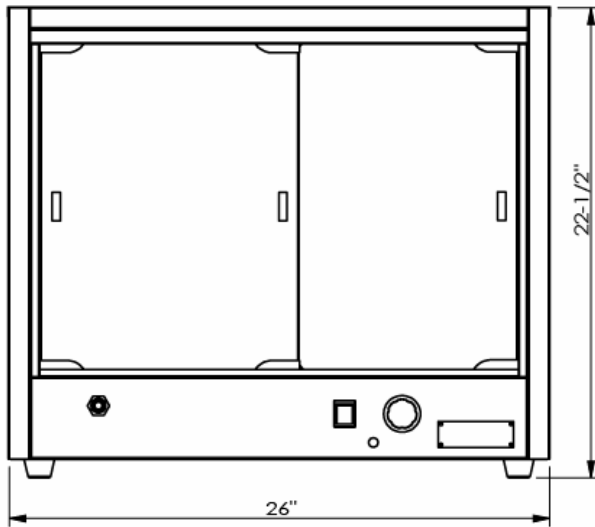
Food Warmer

Item # _____

Model # _____

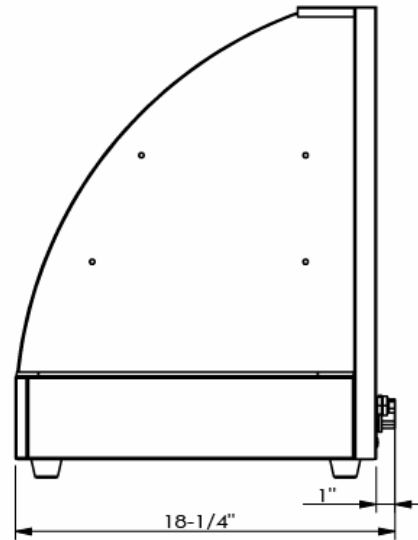
Quantity _____

Project # _____



Front View

Model:FW5004-2



Side View

Approvals: ETL

Electrical: 120 Volt, 60 HZ (1200 Watts)
(or) 220 Volt, 50 HZ

Options:

Dimensions: 30 3/4" W x 21 1/4" D x 26 1/2"H

Net Weight: 50 pounds

Gross (Shipping) Weight: 55 pounds

Package: 26" W x 18 1/4" D x 22 1/2"H

Note: Dimensions and specifications are subject to change without notice.

