



Item # \_\_\_\_\_  
Model # \_\_\_\_\_  
Quantity \_\_\_\_\_  
Project # \_\_\_\_\_

## Specifications & Features

### Model # HPC 7008HF Heater/Proofer Cabinet

This half size cabinet provides the ability to proof a variety of baked goods and allow them to rise before baking. The adjustable thermostat enables the chef to choose a variety of temperatures so that the cabinet can also be used as a warming cabinet for a variety of foods.



#### FEATURES:

- Designed for proofing and heating
- Adjustable thermostat allows a variety of warming temperatures
- Timer notifies user when process is complete
- Water pan in base provides moisture for proofing
- Humidity from 30% to 95%, temperature up to 185F.
- Total pan capacity is 17 pieces (18" x26" )
- Clear glass door provides easy visibility
- Contains four safety-lock casters for easy mobility
- Construction: Aluminum cabinet
- One year limited manufacturers warranty

Note: Dimensions and Specification are subject to change without notice.

#### Approvals

ETL

#### **COZOC Group Inc.**

18725 E Gale Ave, Ste 250  
City of Industry, CA 91748

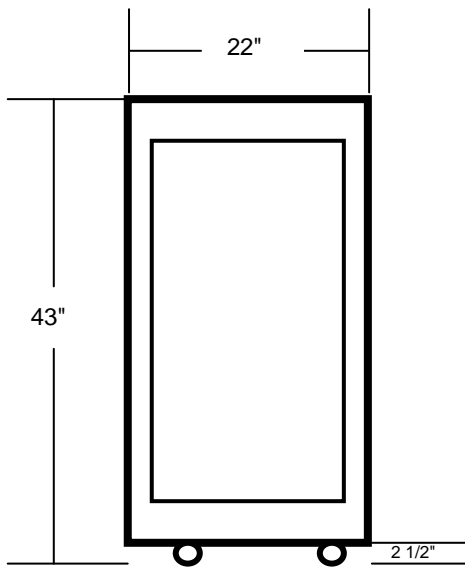
Phone: 253-678 8898  
Fax: 626-956 0765  
Email: [info@cozoc.com](mailto:info@cozoc.com)  
[www.cozoc.com](http://www.cozoc.com)



## Dimensions and Specifications

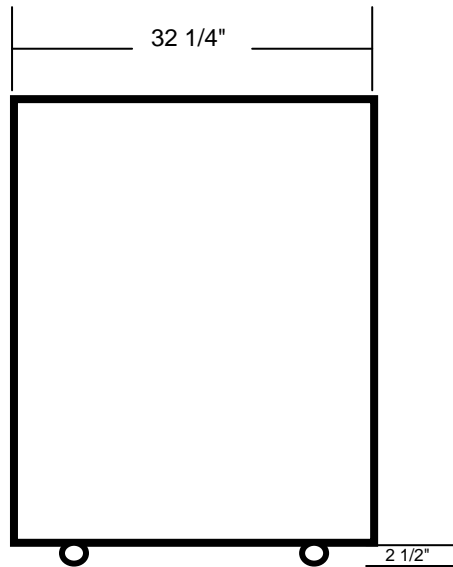
**Model # HPC 7008HF**  
**Heater/Proofer Cabinet**

Item #	_____
Model #	_____
Quantity	_____
Project #	_____

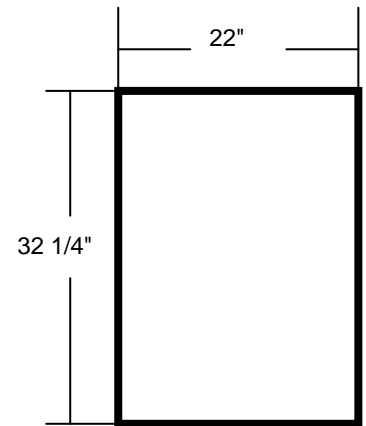


**Front View**

Model:HPC7008HF



**Side View**



**Top View**

**Approvals:** ETL  
**Electrical:** 120 Volt, 60 HZ (1500 Watts)  
(or) 220 Volt, 50 HZ  
**Options:** -LED Thermometer  
  
**Dimensions:** 22" W x 32 1/4" D x 43" H  
**Net Weight:** 70 pounds  
**Gross (Shipping) Weight:** 85 pounds  
**Package:** 24 1/2" W x 33" D x 50 3/4" H

Note: Dimensions and specifications are subject to change without notice.

### **COZOC Group Inc.**

18725 E Gale Ave, Ste 250  
City of Industry, CA 91748

Phone: 253-678 8898

Fax: 626-956 0765

Email: [info@cozoc.com](mailto:info@cozoc.com)

[www.cozoc.com](http://www.cozoc.com)