



We invented the popcorn machine
THEN JUST KEPT GOING!

176 MITTEL DRIVE, WOOD DALE, IL 60191

GT-GAS GIANT WITH "IR" BURNER 60 oz. POWER DUMP MACHINE OPERATION MANUAL

FOR YOUR SAFETY

Do not store or use gasoline or other flammable vapors or liquids in the vicinity of this or any other appliance.

WARNING: Improper installation, adjustment, alteration, service or maintenance can cause property damage, injury or death. Read the installation, operating and maintenance instructions thoroughly before installing or servicing this equipment.

Post this notice in a prominent location.

WARNING: If you smell gas, STOP. Do not try to light any appliance or touch any electric switch. Do not use any phone in your building but immediately contact your gas supplier. Follow the gas supplier's instructions.

***Includes optional digital control instructions.**



READ and **UNDERSTAND** these operating and safety instructions before operating this popcorn machine!

TABLE OF CONTENTS

I.	Safety Alert Symbol	3
II.	Safety First	3
III.	Introduction	3
IV.	Purpose of Manual	4
V.	Product Identification	4
VI.	Principles of Popcorn Machine Operation	5
VII.	Control Switches	6
VIII.	Installation Instructions	8
IX.	Operating Instructions	9
X.	Service Instructions	11
XI.	Cleaning/Sanitation Instructions	12
XII.	Maintenance Instructions	13

I. SAFETY ALERT SYMBOL

The symbol shown is used to call your attention to instructions concerning your personal safety and the safety of others. Watch for this symbol. It points out important safety precautions. It means **ATTENTION! Become Alert! Your personal safety is involved!** Read the message that follows and be alert to the risk of personal injury or death.



II. SAFETY FIRST



The information in this manual is essential for the safe installation and operation of your Cretors popcorn machine. The manual must be read and understood before installing, and operating the equipment, or equivalent training must be provided.



“The employer shall instruct each employee in the recognition and avoidance of unsafe conditions, as well as, the regulations applicable to his work environment and to control or eliminate any hazards or other exposure to illness or injury”. Ref.: 29 CFR 1926.20 (b)(4)(a)(2)



It is understood that safety rules within individual companies vary. If a conflict exists between the safety procedures contained in this manual and the rules of a using company, the more stringent rule should take precedence.

III. INTRODUCTION

This manual is filled with time-saving and money-saving information regarding your Cretors popcorn machine. There is nothing more important than the safety aids and warnings that are throughout this document. The Safety Alert Symbol is used to identify topics of primary safety concern, wherever, they appear. Furthermore, a separate section has been included which deals exclusively with service and accident prevention.

If, after reviewing this manual, anything is unclear or technical problems are encountered, contact the distributor from whom you purchased your machine for assistance. If there are any additional questions, feel free to contact our Customer Service Department at the address and/or phone number listed on the last page of this manual. Always have the model and serial number of your machine available to assist in obtaining the correct information.

IV. PURPOSE OF MANUAL

This instruction manual is intended to familiarize owners with the operation and safety procedures associated with your Cretors popcorn machine.

It is important that this manual be kept available to operating personnel.



A person who has not read and understood all operating and safety instructions is not qualified to operate the machine.

V. PRODUCT IDENTIFICATION

Part Number Configuration: Gas Power Dump 60oz.

	GT	60	A	N	R	C
<u>Model</u>	GT - Gas Power Dump					
<u>Kettle</u>	60- 60 Oz. Kettle with Safety Pilot					
<u>Voltage</u>	60 Hz. North America					
	A - 120/1/60					
	50 Hz					
	E - 230/1/50					
	Japan					
	F - 100/1/60					
	F - 100/1/50					
	Battery					
	X - 12V DC					
<u>Gas</u>	N - Natural Gas					
	P - Propane Gas					
	S - Special Mix Gas					
<u>Hand</u>	R - Right Hand Operation					
	L - Left Hand Operation					
<u>Feature</u>	X - No Custom Features					
	C - Custom Features					
	P - Equipped For Pump					
	V - Vertical (Front Operation)					
	Z - Power Dump					

VI. PRINCIPLES OF POPCORN MACHINE OPERATION

Theory and Observations of Popcorn Machine Operation

- A. The efficient production of popcorn requires the presence of popcorn kernels, heat, and oil. The purpose of the oil is to distribute the heat throughout kernels evenly and quickly. If the heat is not distributed evenly and quickly, the kernels may burn instead of pop.
- B. In order to pop corn in oil, the kettle, oil and parts near the flame are necessarily and unavoidably heated to temperatures high enough to pop popcorn.



Contact with these surfaces will burn and scald you. Do not touch the kettle, oil or parts in direct vicinity of the flame.

- C. The kettle is provided with an agitator to assist in the quick and even distribution of heat throughout the kernels.



The oil is heated to high temperatures in a kettle to reach a proper popping temperature. An operator is required in the vicinity of the kettle only when handling corn or dumping popped corn from the kettle. Neither of these operations requires direct contact with the kettle. Direct contact with the hot oil, or kettle could result in serious burns or scalds. Keep away from the kettle whenever possible. Use the handle when dumping the kettle, and use the provided cups to measure corn, oil and salt.

- D. If the machine is equipped with an oil pump, and the pump switch is turned on, pressing the "Oil" dispense button on the control panel will begin the pumping cycle.

VII. CONTROL SWITCHES (Not all machines contain all of these switches.)

HEAT
SALT/SUGAR

-Turns on the heat and stirrer blade motor.
-Sets the pump and kettle temperature to proper settings.

DIGITAL CONTROLLER
DUMP TIMER

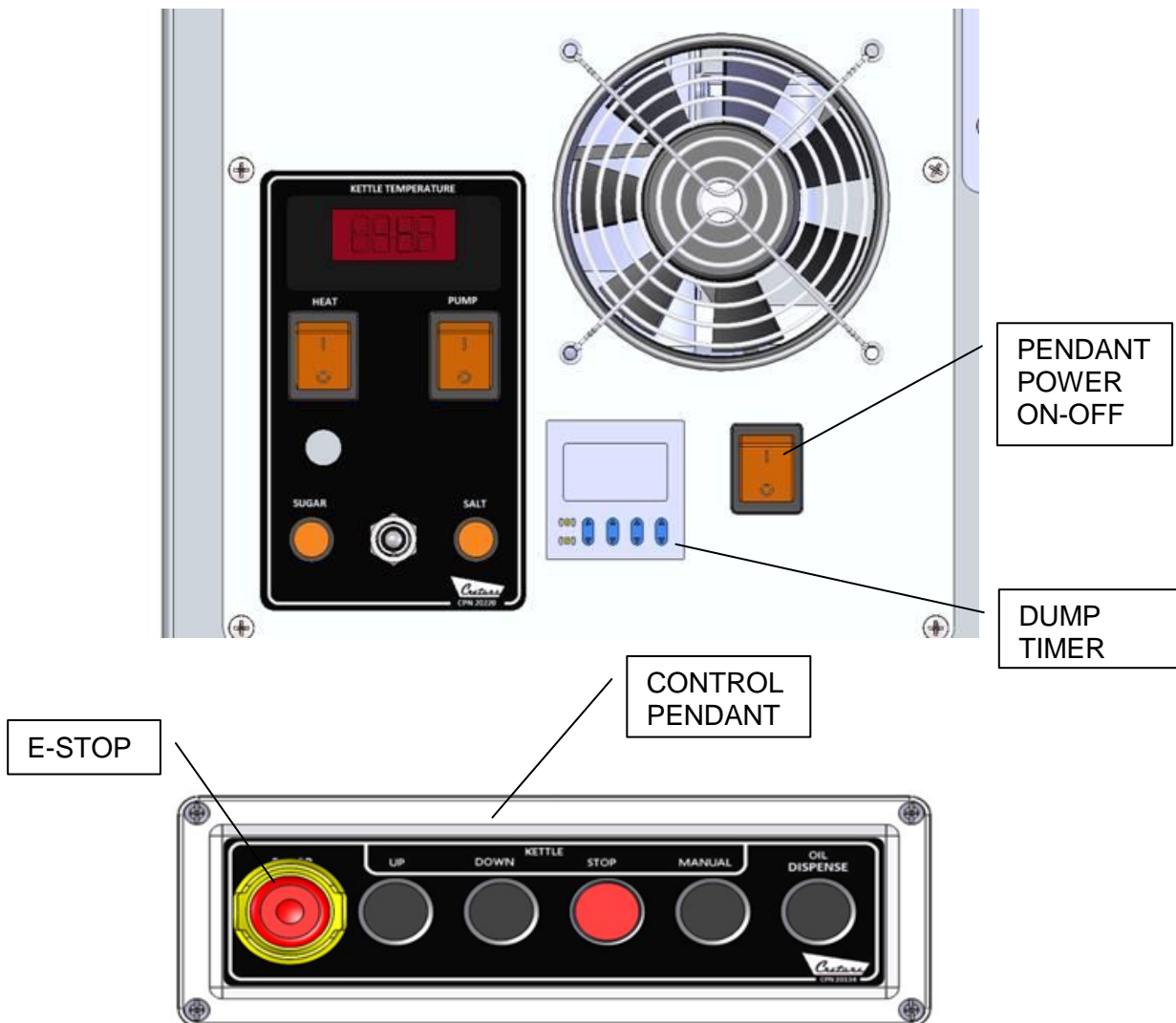
-Displays and controls kettle temperature
-Sets the time delay between when the heat shuts off and the dump beacon light turns on.

MOTOR

-Powers up pendant control station for the dump motor and oil dispense cycle.

E-Stop

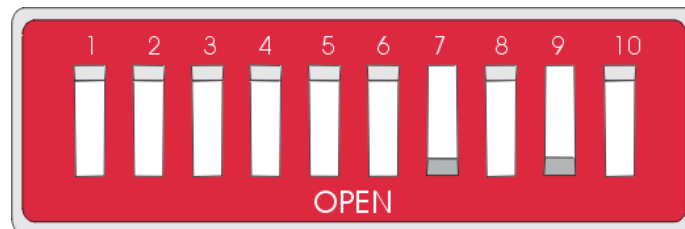
Shuts all power off.



When the Giant is purchased with the “Equipped for pump option”, the hoses and connections are supplied to hook up to an external pump. When the Giant is equipped with the integrated pump option, see below for additional information.

1. For the Salt/Sugar and integrated pump machine the pump timers are located in the integrated pump box. One timer is marked “Salt”, the other “Sugar”. They are factory set but should be adjusted before first use for proper oil amount based on customer’s oil type and set up.
2. To adjust the pump time, use the following procedure:
 - Remove the snap out plug on top of the switch box, which is on the top of the pump, to expose the timer.
 - Check to make sure the timer has good contact by pushing down lightly on timer, making certain not to push any of the switches.
 - Switches 1 through 10 are each assigned a certain amount of seconds of delay time. Each successive switch is double the amount of delay time for the switch before it. The amounts of delay time are written at the top, along the “OPEN”/“OFF” line (i.e. 1,2,4,8, etc to 512).
 - The switch must be in the UP position along the “OPEN”/“OFF” line for the delay time to apply. An example of this for three seconds would have the switch corresponding to the 1 on the “OPEN”/“OFF” line up along with the switch corresponding to the 2 on the “OPEN”/“OFF” line.

To turn the dip switches ON the dip switch needs to be pressed down to the number side opposite of the open side.



3. Install snap out plug (which was removed in first step).
4. To check amount, disconnect the hose from the kettle and press the oil dispense button (in each mode if equipped) with the flame off to verify desire oil.

DIGITAL CONTROLLER ADJUSTMENT

- a. Press the “set” button.
- b. Use the up or down arrow buttons to adjust the temperature up or down.
- c. Press the “set” button again.
 - i. (Note that for safety, this range is limited)

VIII. Installation Instructions

This manual must be retained for future reference.



The regulator mounted on the popper from Cretors is **rated up to ½ PSI max input. The input pressure to the machine regulator MUST be below ½ PSI or the popper regulator will be damaged and the warrantee is voided.**

-
- A. The wiring diagram for this unit can be found inside the pedestal of the unit.
 - B. There should be 14" of clearance from the sides and rear of the unit.
 - C. The installation of this unit must conform with local codes, or in the absence of local codes, with the National Fuel Gas Code, ANSI Z223.1/NFPA54, or the Natural Gas and Propane Installation Code, CSA B149.1, as applicable.
 - D. This appliance, when installed, must be electrically grounded in accordance with local codes, or in the absence of local codes, with the National Electrical Code, ANSI/NFPA 70, or Canadian Electrical Code, CSA C22.2, as applicable.
 - E. Provide adequate clearances for air openings into the combustion chamber, as well as clearances from combustible and noncombustible constructions. Assure there are adequate clearances for proper operation and servicing.
 - F. The GG60 is rated at 37,500 Btu @ 5"wc of natural gas or 38,500 Btu @ 12"wc of propane gas.
 - G. This appliance is equipped for either natural (propane) (LP) gas, see serial plate.
 - a. This appliance is equipped with orifices sized for operation with either natural (propane) (LP) gas, as specified on the serial plate.
 - b. For conversion to LP (propane) (natural) gas, see instruction plate on the appliance or contact C. Cretors & Co.
 - c. Orifices necessary for LP (propane) (natural) conversion can be purchased from C. Cretors & Co.
-



Keep this appliance area free and clear from combustibles. Do not obstruct the flow of combustion and ventilation air, including ventilation of cylinder enclosures, if applicable.

IX. OPERATING INSTRUCTIONS



Do not attempt to operate your Cretors popcorn machine until you have read and understood this manual. Failure to do so may result in serious injury or death.



Do not attempt to operate your Cretors popcorn machine unless the installation instructions have been strictly adhered to. Failure to do so may result in serious injury or death.



Operate your popcorn machine only if it is in good sanitary condition (See **SANITATION INSTRUCTIONS**). Failure to do so may result in illness to your customers.

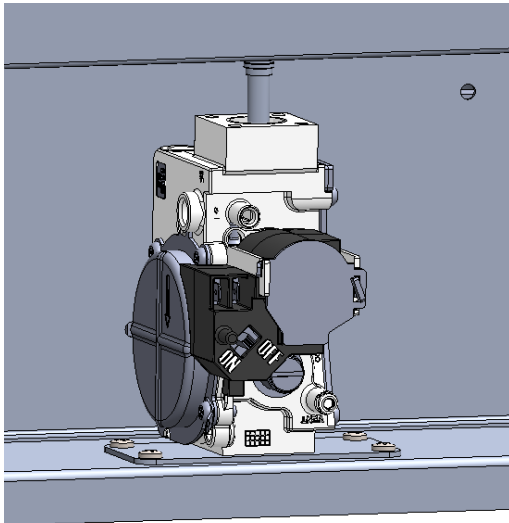


Warning: This appliance is equipped with a three prong (grounding) plug for your protection against shock hazard and should be plugged directly into a properly grounded three-prong receptacle. Do not cut or remove the grounding prong from this plug.



Always turn the flame off when not popping corn. Failure to do so will cause oil to stain the kettle, possibly resulting in an unsanitary condition. It may also cause a “flash” fire if oil is added to a kettle left unattended with the heat on, resulting in serious burns or death.

1. Open main gas supply to machine.



2. The popper is loaded through the front hinged opening to which the counter-weight is attached. After being loaded, this cover is closed by turning the counter-weight.
3. As the corn pops, it will touch the cover and the counter-weight will swing it open, removing all pressure from the popping corn. This gives you maximum expansion.

With this machine we are sending a measuring cup for popcorn, a 20 oz. measuring cup for oil and a salt measure. The correct charge of popcorn, popping oil and salt is:

60 OZ Salted Corn-Recommended Ingredients

Popcorn - 60 oz. (1775mL)

Oil - 20 oz. (590 mL)

Salt - 5 teaspoons (25 mL)

60 OZ Sugar Corn-Recommended Ingredients

Popcorn - 48 oz. (1420mL)

Oil - 15 oz. (445 mL)

Sugar - 29 oz. (860 mL)

4. Fill the corn measure with raw popcorn and add salt. Raise cover of popping pan and pour in raw corn. Immediately add one cup of popping oil. **Do not put popping oil in popping pan before raw popcorn. Never put popping oil into overheated pan.**
5. As the popcorn pops, it will push the lid open and discharge into the cabinet. When the corn finishes popping, the corn remaining in the kettle can be removed by pressing the "DOWN" button on the control panel. Return kettle to popping position when finished by pressing the "UP" button on the control panel. To stop the kettle in any position the red E-Stop button can be pressed.

Refill the measures with charges of popcorn, seasoning and salt in preparation for next popping. After making two or three poppings, it should not require over four minutes to make a complete popping.

Always empty popper promptly when corn stops popping and never leave machine unattended while in operation.



If popper should become overheated, turn off gas and wait until pan cools before attempting further poppings. Contact with a hot popping kettle may result in serious burns or scalds.

X. SERVICE INSTRUCTIONS



In the case of improper operation, only a qualified person should perform the following diagnostic checks, and, if necessary, corresponding adjustments and repairs. Many of the following procedures may present an electrical shock hazard and can cause serious injury or death.



Perform work only on de-energized circuits. Failure to do so may lead to electrical shock resulting in personal injury or death.

A. Parts

When ordering parts, refer to the parts diagram included in this manual. Always supply the serial number, model number, and voltage of your popcorn machine.

B. Kettle Temperature Control (If supplied)

1. TEMPERATURE CONTROL OPERATION

- a. The temperature control is installed as a safety device to prevent the overheating of the kettle if the machine is left unattended momentarily while in operation.



CAUTION: If the corn has dried out, it will not finish popping at normal temperatures and the light will go out early. DO NOT ADJUST KETTLE TEMPERATURE BASED ON POOR QUALITY CORN.



If set too high (over 500°F 260°C), the digital temperature control can cause a serious fire hazard.

- b. Digital Control does not have a thermostat but a thermocouple on the bottom of the pan.

2. DIGITAL TEMPERATURE CONTROL ADJUSTMENT



CAUTION: If the machine is equipped with the Salt/Sugar option, the temperature control should **only** be adjusted when the switch is in the sugar mode. When in salt mode, refer to “Salt Timer Adjustment” section.

- a. Press the “set” button.
- b. Use the up or down arrow buttons to adjust the temperature up or down.
- c. Press the “set” button again. (Note that for safety, this range is limited)

- d. The display will show the temperature go up and down.
- e. You should only raise or lower the temperature 5-10°F at a time.
- f. Set temperature so that the burner shuts off at the correct temperature.

<u>KETTLE</u>	<u>SALTED CORN</u>	<u>SUGAR CORN</u>
60 OZ.	400-415° F(204-213° C)	375-385° F. (190-193° C)

3. CHECKING TEMPERATURE CONTROL

There are two ways of checking that the temperature control is set correctly.

- a. Place a pyrometer over the thermocouple position and turn the kettle heat on. Watch to see that the kettle heat shuts off at the correct temperature. Make adjustments as needed.
- b. The temperature control may be adjusted by observing the operation of the indicator light as described in the “Temperature Control Operation” section. Adjust the temperature control so that the kettle heat shuts off 10 to 20 seconds before the corn finishes popping and the kettle is dumped.



Do not adjust the temperature so high that the pan smokes at the end of the popping cycle. If set too high (over 500°F or 260°C), the kettle can become a serious fire hazard.

XI. CLEANING/SANITATION INSTRUCTIONS



Do not clean heated surfaces until they have been given sufficient time to cool. Failure to do so may result in serious burns or scalds.

A. Popping Kettle

1. The Cretors kettle is designed to be cleaned in place. There is no need to remove the kettle to clean.



Do not attempt to clean a hot kettle. Doing so may result in serious burns or scalds.



Do not throw ice into a hot kettle. Doing so can cause damage to the pan and invalidate the warranty.

3. The kettle is polished stainless steel and is very easy to clean if oil is not allowed to burn. After the final popping, the best practice is to wait until the oil just begins to solidify, then take a cotton towel or absorbent rag and wipe the kettle. Once the oil is allowed to completely solidify, it can become more difficult to remove. We recommend coconut oil for your Cretors popper; it will not stick or burn as easily as other oils.
4. A thorough cleaning every week with CKC cleaning compound is recommended. This will prevent the accumulation of carbon on the bottom and internal sides of the kettle. When boiling the CKC cleaning compound in the kettle, do not fill the kettle with more than $\frac{3}{4}$ " high of water inside the kettle. If the kettle has been overheated or oils that tend to carbonize are used the normal cleaning procedures may not suffice. Increase frequency as needed.

Cretors has developed a cleaning kit for your Giant machine. The kit is sold separately. If you need more information, please feel free to contact your local distributor or call Cretors at 1-800-228-1885.

5. Cretors Outside Kettle Cleaner COC should be used periodically to remove popping oil that may become baked on to the outside of the kettle.
6. To remove the kettle cover, first remove the rear pin by rotating the loop of the pin so that the pin can be pulled out of the two kettle tabs. Next, remove the front pin by rotating the loop of the pin so that the pin can be pulled straight out of the hinges and apron. As the pin is pulled out, hold the front cover as it will fall off when the pin is removed. Lastly, lift off the rear cover and then the apron. To remove the apron, lift straight up where the tabs insert into the kettle, then pull the tabs out, one side at a time until the apron is fully disengaged from the kettle.
7. The kettle agitator assembly should be removed after every 40 hours of operation, clean thoroughly and lubricate with graphite or high temperature molybdenum grease. The stirrer blade is disassembled by removing the anti-pak pin that goes through the top of the stirrer blade. Lift off the stirrer blade. Then remove the clutchdog and shaft and clean any carbon build-up on the shaft and pan center.

XII. MAINTENANCE INSTRUCTIONS

- A. Contact the factory, the factory representative, or a local service company to perform maintenance and repairs.
- B. Examine the venting system of the popper monthly to assure there are no holes or deterioration.
- C. Also see "cleaning and sanitation section" above to keep your popper working in ideal condition.

This manual is filled with time-saving and money-saving information regarding your Cretors popcorn popper. There is nothing, however, more important than the safety aids and warnings found throughout this document.

If you have any questions regarding the operation or cleaning of your Cretors popcorn popper, contact your local distributor. Should you have any difficulties or are unable to reach them, feel free to contact the Customer Service Department at C. Cretors and Company.

Additional copies of this manual can be obtained from C. Cretors and Company at the address listed below. Please provide the model and serial number when requesting additional copies of this manual. There will be a nominal charge for additional copies.

Cretors guarantees this machine to be free of defects in parts, materials and workmanship for two years. Please take this time to fill out the factory registration card and return it to the factory to activate your warranty. If you have any questions concerning the Cretors' warranty, please contact your local distributor or the Customer Service Department at C. Cretors and Company.



We invented the popcorn machine
THEN JUST KEPT GOING!

C. CRETORS AND COMPANY
176 MITTEL DRIVE
WOOD DALE, IL 60191
PHONE (773) 588-1690, (800) 228-1885, FAX (847) 616-6970
WEB SITE: <http://www.cretors.com> Email: postmaster@cretors.com