



Closed



Open

D20 Hydraulic divider

Doyon's hydraulic dough divider gently and evenly divides up to 35 lb (16 kg) of dough in 20 even pieces. Simple to operate, virtually maintenance free, the round chamber minimizes pressure on dough combining performance, speed and work comfort.

Hydraulic divider FEATURING

- Stainless steel construction
- Teflon coated dough shapers to prevent sticking
- Stainless steel blades
- On casters for greater mobility
- Cast aluminum cover with locking handle
- Easy to operate
- 2 HP motor
- 0" clearance on sides and back
- ETL and ETL Sanitation listed
- One year parts and labor limited warranty

D20

"Superior *quality* product
at an *affordable* price!"

DIMENSIONS

24" W X 27 1/2" D X 43 1/8" H
(610 mm X 700 mm X 1110 mm)

ELECTRICAL SYSTEM

208-240V - 3 PH - 2 HP - 8A - 60 Hz NEMA L15-20

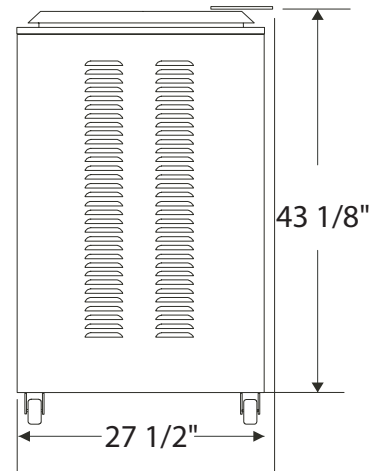
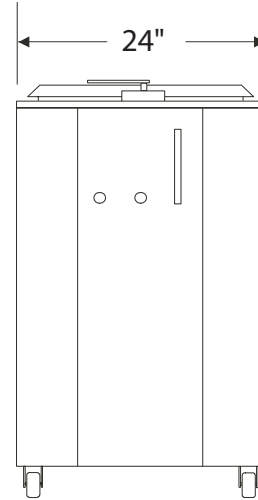
CAPACITY

Up to 35 lb (15.8 kg) of dough
Divides from 3.5 oz to 28 oz (100g to 800g)pieces

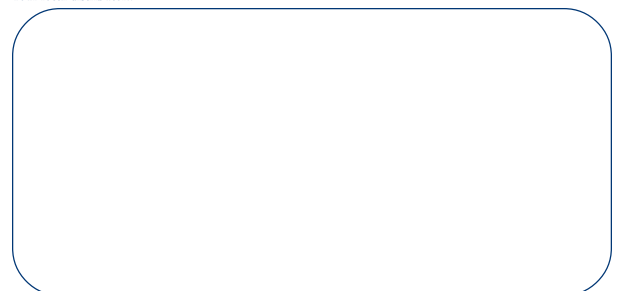
SHIPPING WEIGHT

980 lb (200 kg)

Specifications and design subject to change without notice.



Your local distributor:



1255, rue Principale
Linière, Beauce, Québec, Canada G0M 1J0

Telephone.: 418-685-3431
Canada: 1-800-463-1636
E-mail : doyon@doyon.qc.ca

Fax: 418-685-3948
U.S.: 1-800-463-4273
Internet : <http://www.doyon.qc.ca>