

SMX 800 TURBO

Ref : MX001

SMX SERIES



Description

- Special huge volumes, collective kitchens and intensive use
- The new cooling technology ensures longer life to the mixer
- Detachable mixer tool that can be easily dismantled
- All stainless steel mixer tool and handle support
- Double insulation
- Titanium-plated blade easy to remove
- Easy manipulation into the plot thanks to its specific support bracket
- The continuous function auto run button allows to mix continuously or pulse.



Included : Mixer hook support



Option : Supports bracket

OUTPUT MAX	1000 W
SPEED	11 000 R.P.M.
VOLTAGE	110-120V OR 220-240 V
TOTAL LENGTH	960 mm / 37.8"
SHAFT LENGTH	680 mm / 26.7"
DIAMETER	125 mm / 4.9"
ACTUAL WEIGHT	6,7 kg / 14.7 lbs

Use

The SMX 800 Turbo has been designed to work in containers holding up to 300 liters (75 gallons). It allows you to blend purees, mix and emulsify directly in the cooking pot.

Indispensable for the preparation of soups, salad dressings, gravy, sauces, mayonnaise, refried beans, batters, and many other products.

Capacity : 75 to 300 L

Maintenance

Clean the outside of the tube and the blade protector by passing it under the faucet.

Never clean this machine with water jet spray.

Wash the motor block with a sponge or with a slightly damp cloth.

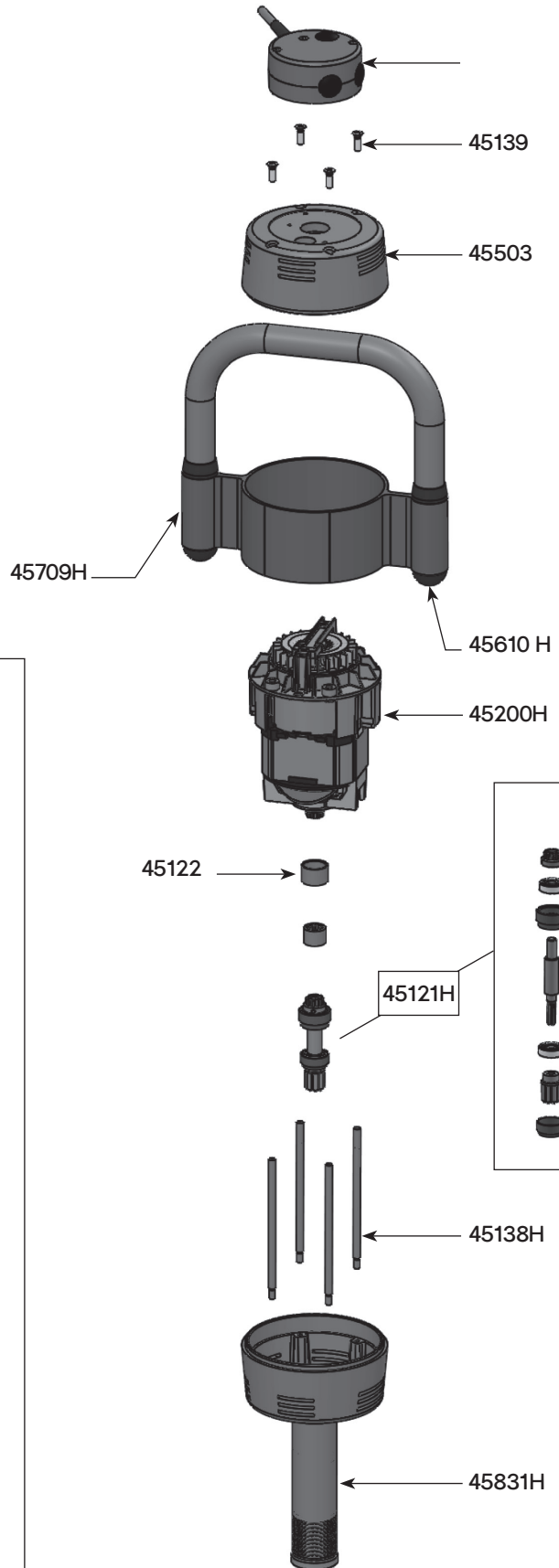
TECHNICAL SHEET



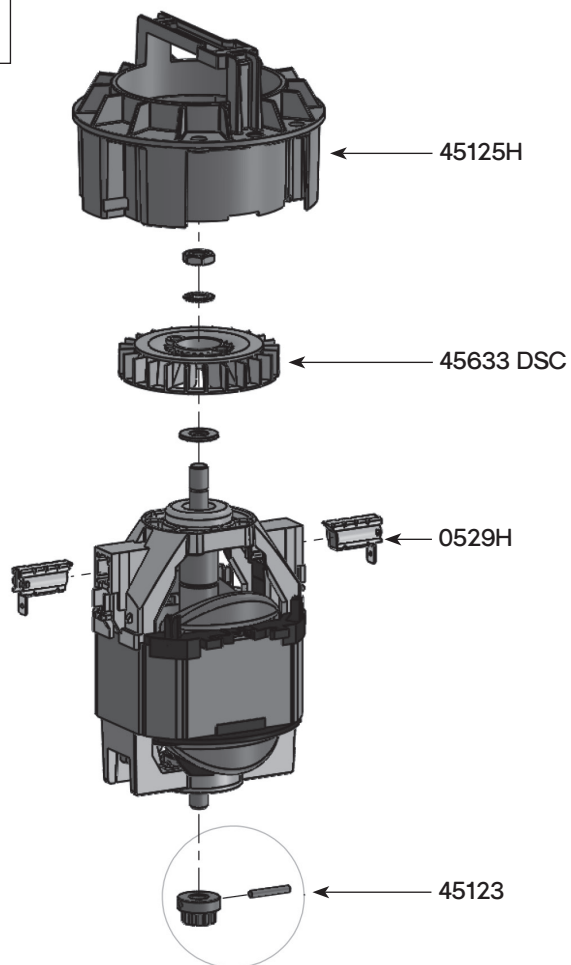
Parts list

Code

Carbon brushes (pair)	0529H
Ball bearing	0601i
Self-lubricating ring	0603
Waterproof seal	0607
O. ring	0610PD
O. ring	0641
Equipped output axle	0807H
Ball bearing ring	7912
Coupling casing + pin	9051H
Ball bearing ring	119950
Ball bearing ring	119964
Output shaft	45121H
Coupling sleeves	45122
Motor & shaft drive sprocket	45123
Fan housing Plastic	45125H
Lower ball bearing assembly	45130H
Braces (4)	45138H
Brace screws (4)	45139



45200 H



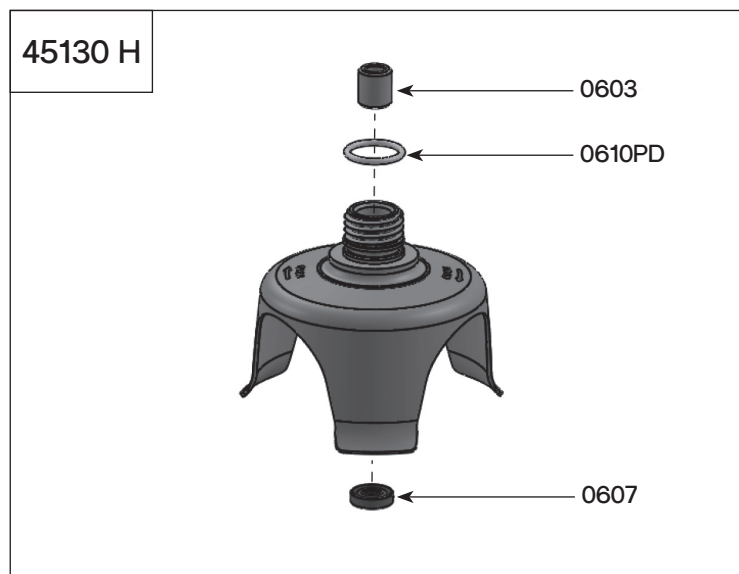
TECHNICAL SHEET



Parts list

Code

Cutter blade w/ screw	45161
Motor 230 V	45200H
Stainless steel shaft	45324
Tube	45325
Top housing	45503
Handle cap (2)	45610H
Plastic Fan	45633DSC
Sleeve & complete handle & label & cap	45709H
Complete control casing 230V	45712
Lower housing	45831H



TECHNICAL SHEET



SM 4/6/8/10/12 MIXER SUPPORTS

Parts list

Code

Tightening knob	0701
Tightening knob	0707
White knob (x2)	0728
Plastic caps	45610
Plastic holder for tube	45900
SENIOR plastic holder for tube	45900.S
Orange half moon + screws + washer	45900.1
SENIOR orange half moon + screws + washer + block	45900.2
60 mm width bracket	45901
20 mm width bracket	45902
Exterior stop (x2)	45610.S

