

## DYNASHAKE

Ref : MX051

## DYNAMIX SERIES



### Description

- Lightweight, quick, efficient and powerful
- Detachable mixer tool that can be easily dismantled for easy cleaning and maintenance
- Stainless steel mixer tube and guard
- Titanium-plated blade easy to remove
- Variable speed as standard
- Ergonomic
- Quiet
- 1-litre-graduated bowl + cover



Variable speed

### Discs / blades



OUTPUT MAX	250 W
SPEED	3000 to 13000 R.P.M.
VOLTAGE	110-120V or 220-240V 50-60 hz
TOTAL LENGTH	425 mm / 16.7"
SHAFT LENGTH	190 mm / 7.5"
DIAMETER	70 mm / 2.7"
ACTUAL WEIGHT	1,5 kg / 3.3 lbs

### Use

The Dynashake with its graduated bowl makes, with ease and at a great speed, perfect milkshakes, smoothies and cocktails.

Capacité : 1 to 6 L.

### Maintenance

Clean the outside of the tube and the blade protector by passing it under the faucet.

Wash the motor block with a sponge or with a slightly damp cloth.

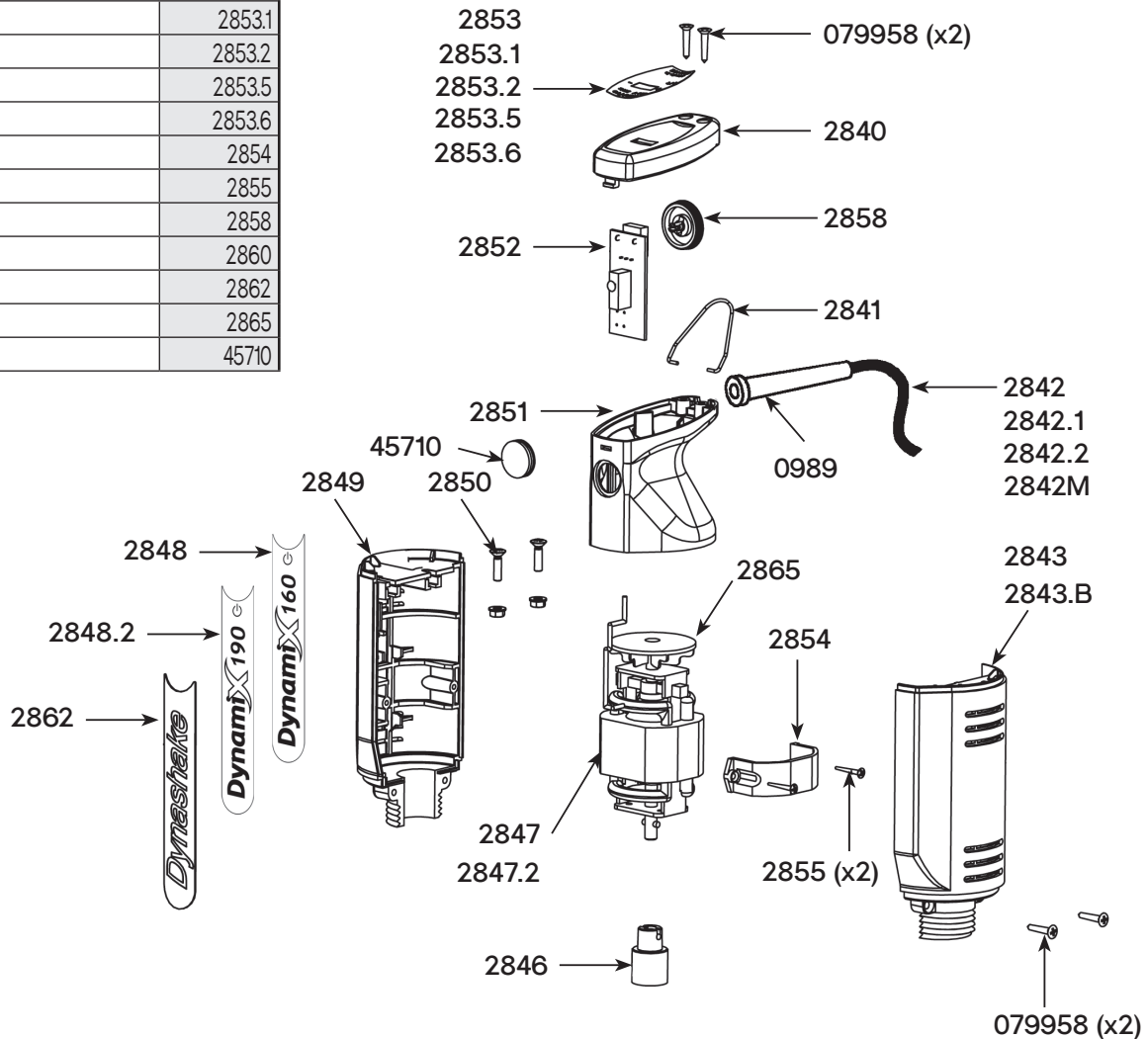
**Never clean this machine with a water jet spray.**

# TECHNICAL SHEET

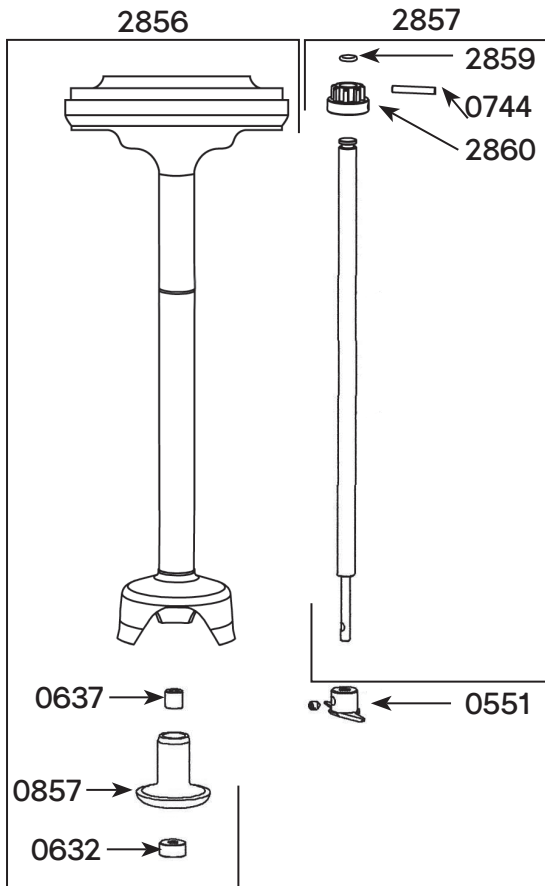
## Parts list

## Code

Strain relief 230 V	0989
Cover or handle screws (2)	079958
Cover	2840
White cover	2840.B
Hook	2841
Power cord 230V	2842
Power cord 115V	2842.1
Power cord UK	2842.2
Right handle	2843
White right handle	2843.B
Coupling	2846
Motor 230V - D160	2847
Motor 115V	2847.1
Motor 230V - D190	2847.2
160 Dynamix label	2848
190 Dynamix label	2848.2
Left handle	2849
White left handle	2849.B
Screws + washer + handle nuts (2)	2850
Hood	2851
White hood	2851.B
Circuit board 230V	2852
Circuit board 115V	2852.1
ID label D160 (230V)	2853
ID label D160 (115V)	2853.1
ID label D190 (230V)	2853.2
ID label Dynashake (230V)	2853.5
ID label Dynashake (115V)	2853.6
Motor belt	2854
Screws for motor belt (2)	2855
Variator knob	2858
Coupling hub	2860
Dynashake label 230 V	2862
Dynamix turbine	2865
Handle cap protectors	45710



# TECHNICAL SHEET



## Parts list

## Code

Parts list	Code
Self-lubricating ring	0666D
Waterproof seal	0667D
Emulsifying blade with screws	0550
Standard blade with screws	0551
Batter blade with screws	0552
Smoothie emulsifying blade with screws	0553
Double lip waterproof seal	0632
Self-lubricating ring	0637
Pins 3 x 20	0744
Bearing holder	0857
Brace with rings	1421
BLENDER DYNAMIX bell	1422
BLENDER DYNAMIX crushing knife	1423
Shaft (coupling, pin, O ring)	1424
Dismounting tool	1425
Shaft and bearing	2844
Dynamix foot assembly + ring + seal	2845
Extended Dynamix foot assembly + ring + seal	2845.XL
Dynashake foot assembly + ring + seal	2856
Shaft and bearing	2857
Driving shaft joint	2859
Coupling hub	2860