



GIGAMIX



Ref. TB001
TB002 (with variable speed control)



WWW.DYNAMICMIXERS.COM



CE



25 / 80 gal.

GIGAMIX SERIES

TECHNICAL DATA

OUTPUT MAX	2.2 kW
SPEED	4,000 R.P.M.
VOLTAGE	230V, 400V, 3 ph
MIXER TOOL ATTACHMENT	570 mm / 22.4"
DIAMETER OF MIXER HEAD	270 mm / 10.6"
EXTENDED DIMENSIONS	L.170 x l.60 x H.120 67" x 24" x 47"
OVERALL DIMENSIONS	L.95 x l.60 x H.170 37.5 x 24" x 67"
MINIMUM HEIGHT	500 mm / 19.7"
MAXIMUM HEIGHT	790 mm / 31"
WEIGHT	79 kg / 174 lbs

MAINTENANCE

In a few seconds and without dismantling anything, the stainless steel tube can be cleaned with water only.

Important: - The electric connection must be done by a skilled person.

- Gigamix whip attachment requires the variable speed base option

ADVANTAGES

- Designed for high volume, heavy duty mixing
- Works directly in pots
- Powerful
- Offers many years of uninterrupted food preparations
- Variable speed optional
- Entirely stainless steel made: easy cleaning and perfect hygiene
- Handy
- Retractable stainless steel frame
- Adjustable working height
- Reduced overall dimensions once folded up
- Whip accessory available. [Ref. TB003](#)



USE

Mixer: Directly in the cooking pots, it can mix all the preparations of vegetable or fish soups... In less than 5 minutes, it finely pulverizes more than 300 litres of cooked vegetable soups including, leeks and onions.

Whip: Ideal for delicate recipes, dehydrated soups.

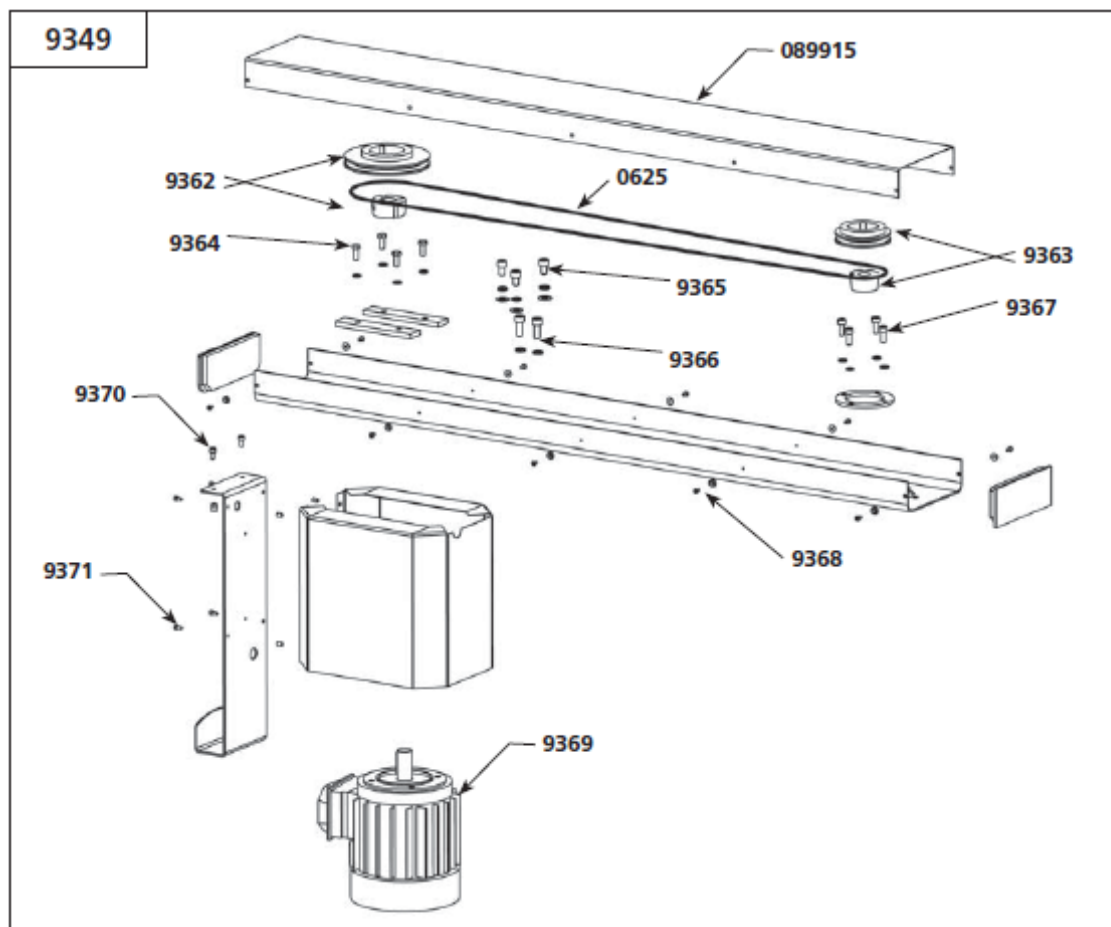
Capacity: 100 to 300 L / 25 to 80 gal.

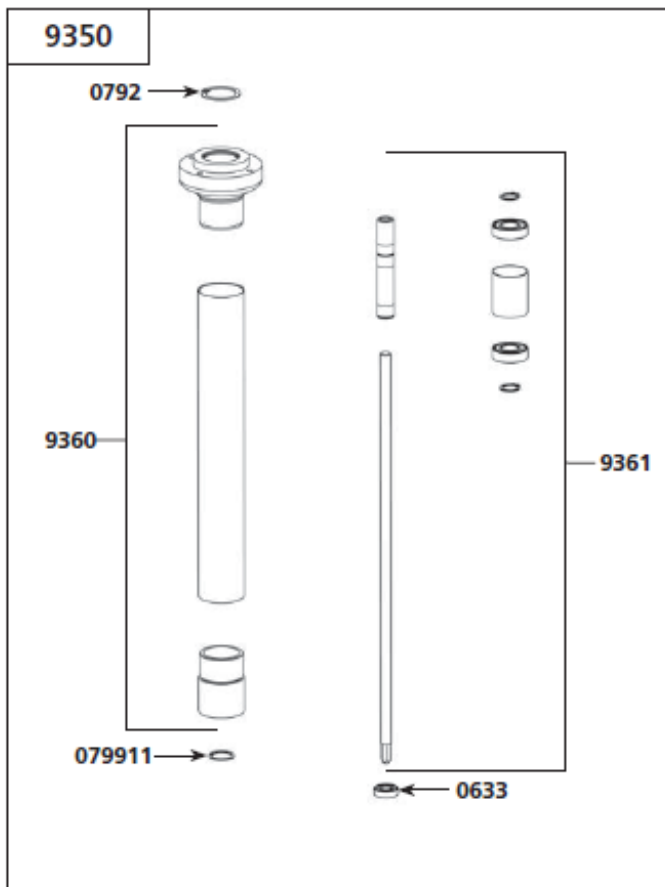


TECHNICAL SHEET

Gigamix

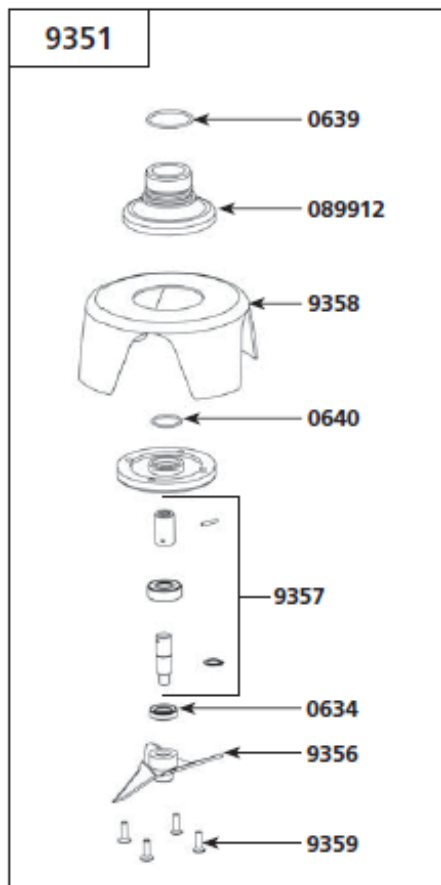
Parts list	Code
Jib assembling.....	9349
Transmission belt	0625
Cover	089915
Directing pulley + hub	9362
Conducting pulley + hub	9363
Screw set + washers for fixing the motor	9364
Screw set + washers for fixing the jib	9365
Screw set + washers for fixing the axle-brake	9366
Screw set + washers for fixing the tube	9367
Screw set + washers for fixing the cover	9368
Motor	9369
Screw set + nuts for fixing the steel sheet on the jib	9370
Screw set for fixing the steel sheet on the motor housing	9371





Parts list	Code
Foot attachment assembling	9350
Ball bearing	0633
Rubber ring for upper bearing holder	0792
Rubber ring case	079911
Bearing holder, brace, case	9360
Drive shaft	9361

Detachable bell assembling	9351
Waterproof lip seal	0634
Toric joint 42 x 2.5	0639
Toric joint 34 x 2	0640
Lower bearing	089912
Blade	9356
Lower shaft + bearing+coupling + clips	9357
Protection bell	9358
Assembling set of screw for the bell	9359



Parts list

Code

Pin-brake assembling 9352

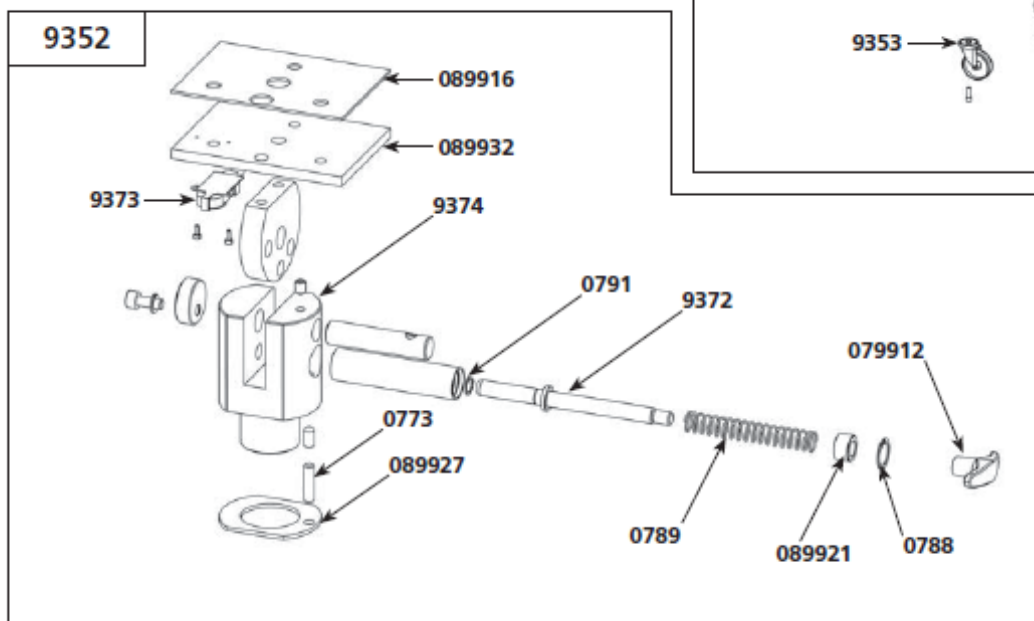
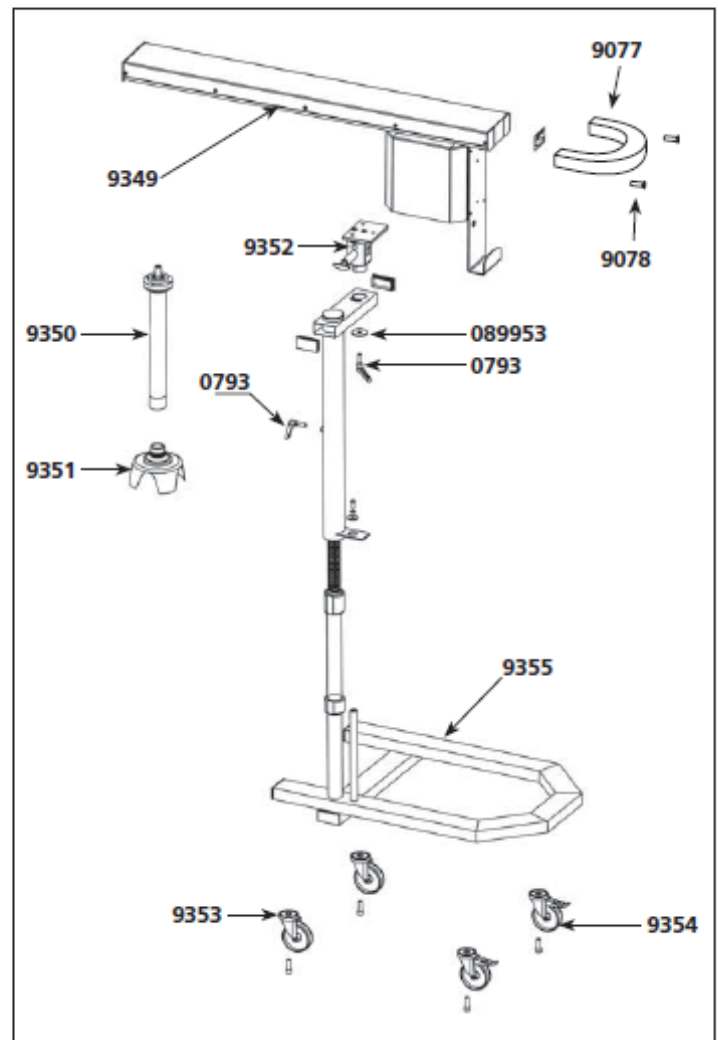
Plain screw M8x30	0773
Rubber ring for brake thrust	0788
Compression spring	0789
Rubber ring for brake axle	0791
Handle for brake	079912
Insulating sheet	089916
Brake thrust	089921
Interpolated sheet	089927
Jib plate holder	089932
Handle	9077
Handle screws	9078
Brake axle	9372
Microswitch + screws	9373
Pin-brake + eccentric + cam + cam axle	9374

Parts list

Code

Additional parts

Detachable handle	0793
Ring 50x12	089953
Fixed wheel + screws (unit)	9353
Brake wheel + screws (unit)	9354
Frame + jib holder	9355



Parts list

Code

Beater whisk assembling

Waterproof ring	0634
Toric seal 42 x 2.5	0639
Ball bearing	0648
Toric seal 86 x 2	0653
Toric seal 8 x 1.9 (1)	0659
Clip	079911
Spacer rod (1)	089958
Tube	089959
Tube middle gear	089972
Screws M6 (4)	9359
Equipped upper shaft	9380
Lower bearing + rings	9381
Equipped output axle w/ 2 gears	9382
Middle gear and shaft	9383
Reduction case holder + rings	9384
Output axle	9385
Whisk tool	9386

