

MODEL AD-120W

Door Style Dishwasher



Item # _____

Standard Features

- **High temperature** sanitation to protect your ware from harmful chemicals during final rinse. Your ware will come out cleaner and dryer than conventional sanitation methods.
- **Electronic Controls** for a precise wash with 3 programmed wash cycles to handle your specific needs. **60 Racks per hour capacity.**
- Built-in **electric booster** heater that will raise the temperature to the NSF required temperature of 180°F for sanitation.
- Unique **“Hot Water Assurance”** feature which guarantees 180°F final rinse.
- **Complete counterbalanced** hood system to allow full production flow during the usage of your dishwasher. (No Channels to work around)
- **Chemical friendly** with built-in dispensers for liquid detergents and rinse. Also pre-defined electrical connectors and pre drilled tank for probes and injectors, makes it easy to install third party dispensing systems.
- **Field adjustable** straight-thru or corner design to adapt to your ever changing needs in your kitchen.



Specifier Statement

Specified unit will be a Fagor AD-120W single tank, door style, high temperature dishwasher with built-in booster heater. Features electronical controls with 3 time settings, efficient 32 amp total draw (single phase) and 19 amp total draw (3 phase), .8 gallons of water per cycle. Unit can convert from straight thru or corner design in the field. Stainless steel construction including the top and side panels. Standard with liquid detergent and liquid rinse pumps, 6” legs. 1 year labor / one year parts warranty.

Options & Accessories

- All purpose rack
- Cutlery grid
- Tray Rack
- Peg rack
- Glassrack
- Cutlery container
- Vent fan control
- Drain water tempering valve
- Adjustable water pressure regulating valve



Capacities		Water Consumption		Temperatures	
Racks Per Hr.	60	Gallons Per Hr.	48 gal. / 181 litre	Wash	150°F / 66°C
Dishes Per Hr.	1500	Gallons Per Cycles	.8 gal. / 3.02 litre	Rinse	190°F / 88°C
Glasses Per Hr.	2160	Inlet Temperature (optimum)	140°F / 60°C		
Wash Tank	11.8 gal. / 44.6 litre	Flow Rinse pressure	20 - 25		

Operating Cycles*		Heating & Wash Pump Motor		Dimensions	
Wash Time (seconds)	35, 60, 100	Electric Wash Tank Heater	4.5 kw	Width	26-1/2" (673.1 mm)
Dwell (seconds)	5	Electric Booster Heater	12 kw	Depth	29" (736.6 mm)
Rinse Time (seconds)	15	Motor (hp)	2 x 1hp	Height	56-1/2" (1435 mm)
Total Time (seconds)	55, 80, 120			Max. Clearance	16-1/2" (419 mm)
				Shipping Weight	330 lbs (150 kg)
				Shipping Volume (cu. ft.)	32

Specifications Model AD-120W

Cabinet

Constructed of high-quality stainless steel, type 304 top, sides and hood. Back and bottom is constructed of aluminum. Interior cabinet is completely constructed in high-quality 16 gauge, 304 stainless steel. Hood is completely stainless steel with a brushed aluminum door handle and spring assisted. Built-in electric booster heater, all stainless steel construction with 13 kw elements with infinite rise in water temperature. Wash tank has a 4.5 kw element design to maintain water above 150° F. Individual wash

and rinse arms, both upper and lower, all stainless steel construction. Stainless steel filters above water line with quick access bulk basket. Stainless steel filter over tank heating elements. Unit comes standard on 6" adjustable legs.

Controls

Controls are located on the front bottom left of the machine. Digital temperature displays for wash and booster tanks. (3) time settings (55, 80 & 120 sec.) and (1) drain setting. (1) standby setting and (1) continuous

wash. Automatic fill and door safety switch. Power light and running light.

Others

Standard with built in detergent and rinse pumps. Unit is serviceable from the front. Built in vacuum breaker and automatic drain. Fill and drain hose included.

Warranty

One year labor / one year parts. (Continental U.S.A. & Canada only).

Service Connections

- W** Water inlet 3/4" Female hose connector on 5' long flexible hose supplied with machine; Adaptor for 3/4" female garden hose fitting also supplied; 140°F / 60°C optimum water temperature; 15-25 psi flow rinse pressure.
- D** Drain 4' long, 3/4" I.D. flexible hose; Maximum 10" drain height permitted; Indirect connection to drain pipe. Maximum Clearance, 18-1/2" Inches.
- R** Electrical terminal block connection point - 208-240/60/1 or 3ph.
- C** Electric power supply - Use wire suitable for at least 194°F/90°
- M** Pressure gauge and regulating valve.
- V** Vacuum breaker

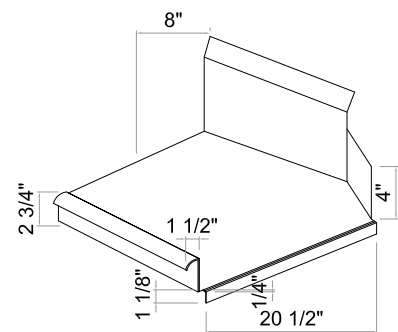
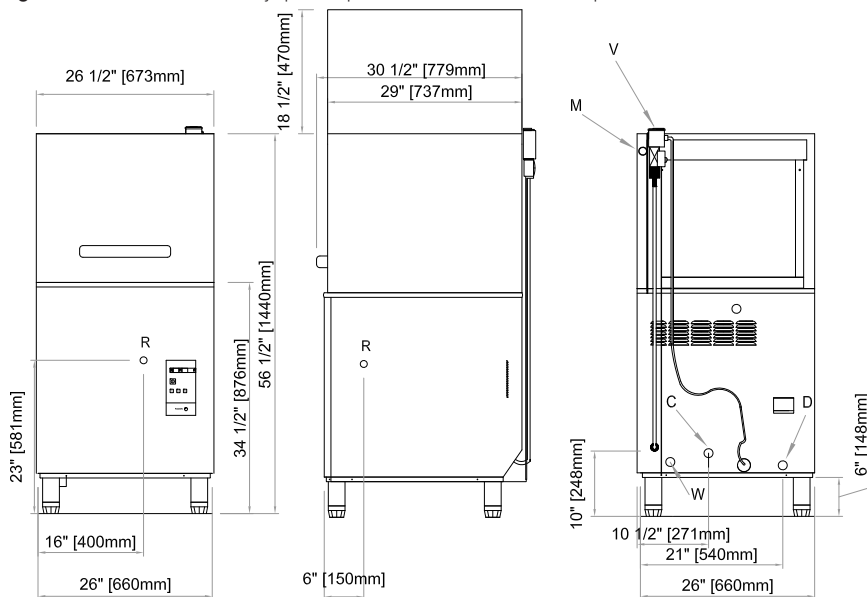
Caution Before connecting water to this unit, have water supply analyzed to make sure harness is not greater than 2.0 grains and pH level is within the range of 7.0-8.5. Water which fails to meet these standards should be treated by the installation of a water conditioner. EQUIPMENT FAILURE CAUSED BY INADEQUATE WATER QUALITY IS NOT COVERED UNDER WARRANTY.

Warning Installation should be made by qualified personnel who will observe all specified local codes.

Incoming Water Temp	140°F	110°F
Aprox. racks per hour	60	60

Volts/Hz/Ph	Amps	Volts/Hz/Ph	Amps
208/60/1	75	208/60/3	47
220/60/1	78	220/60/3	49
240/60/1	85	240/60/3	52

- 50 Hz models, consult factory
* Approximate based on consistent hot water and constant water pressure.



Typical Table Connection

The manufacturer reserves the rights to modify materials and specifications without notice. Printed in the USA • 09/12