



## Ovens

### ADVANCE ovens

## ADVANCE OVEN, AE-101

19011021

### DIMENSIONS

		Article	Packed
Length	mm	898,00	1.100,00
Depth	mm	867,00	1.000,00
Height	mm	1.117,00	1.270,00
Weigth	Kg	169,00	224,00
Volumen	m3	0,87	1,54

### ELECTRICITY

Electric power	KW	
230V -I+N		18,30
230V - III		3x10+T - 63 A
400V - III+N		4x6+T - 32 A

### PLUMBING - WATER

Water consumption (lit/h)	40,00
Pressure (Kg/cm2)	2 - 4

### GAS

Not used

### STEAM

Not used

### AIR

Not used

### LEVEL SOUND

(dB) 62,00

### ADVANCE OVEN, AE-101

High quality, fast cooking :

- Professional quality
- Easy to use and efficient
- Perfect results
- Affordable

Capacity for 10 1/1-GN trays.

Push-button and "Scrolling" controls.

5 cooking methods: Steam, Low-temperature steam, Regeneration, Combination and Convection (up to 300°C).

Preheating option.

Overnight cooking or low-temperature programme.

3 Speeds - 2 power ranges.

Cold-Down chamber cooling system.

"Auto-reverse" system to reverse fan rotation.

Electronic temperature probe.

Steam generator equipped with limescale detector.

Steam generator automatically empties every 24 hours of cooking.

Semi-automatic limescale removal system.

Error detection system.

"Repair service" mode system.

IPX-5 protection.

Quick door-closing system.

Retractable shower.

Built-in trolley and structure for trays.

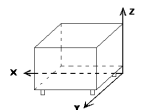
Power: 9.3 or 18.3 kW.

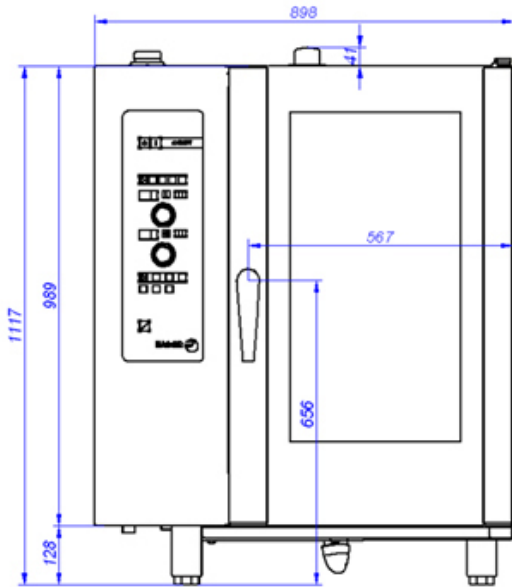
Dimensions: 868 x 867 x 1,117 mm.

Accessories in option:

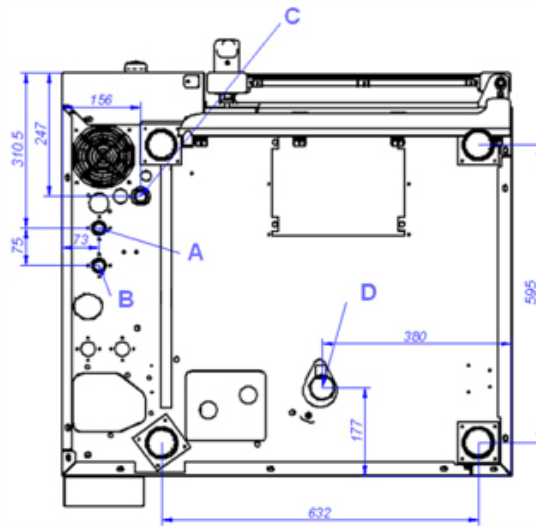
- Support SH-101
- Neutral support-cabinet ANH or hot cabinet ACH
- Structure for trays EB-101, for dishes EP-101, and loading trolley CP-101
- GN trays, grids, moulds...

Connections points	X	Y	Z	Diameter	Information
ELECTRICITY	742	620	110		
COLD WATER	825	482	110	3/4"	
DRAIN	467	237	110	30x25	
SOFT COLD WATER	825	557	110	3/4"	

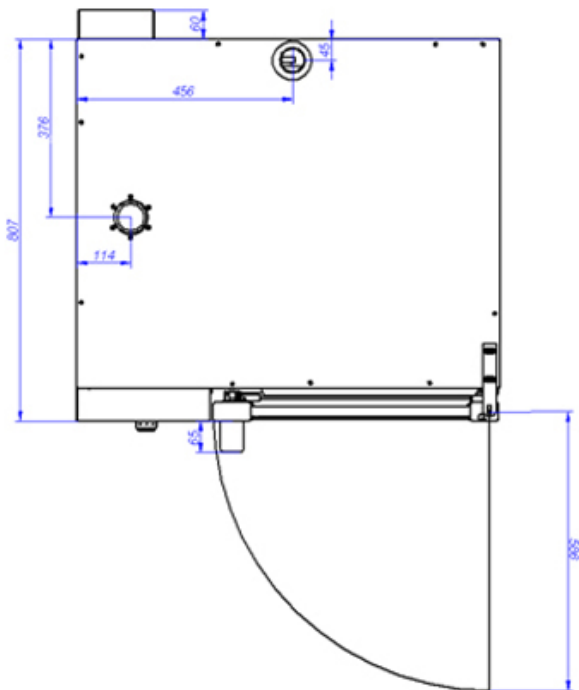




**ACE-101**



VISTA DE LA BASE DESDE LA PARTE INFERIOR  
VIEW FROM THE BOTTOM OF THE MACHINE



- A: Entrada de agua blanda
- B: Entrada de agua dura
- D: Desagüe
- C: Alimentación eléctrica

- A: Soft water inlet
- B: Water inlet
- D: Drain

- C: Electrical connection