



Ovens

ADVANCE ovens

ADVANCE OVEN, AE-102

19011020

DIMENSIONS

		Article	Packed
Length	mm	1.130,00	1.200,00
Depth	mm	1.063,00	1.200,00
Height	mm	1.117,00	1.270,00
Weigth	Kg	250,00	270,00
Volumen	m3	1,34	1,83

ELECTRICITY

Electric power	KW	
230V -I+N		31,50
230V - III		3x25+T - 100 A
400V - III+N		4x10+T - 63 A

PLUMBING - WATER

Water consumption (lit/h)	40,00
Pressure (Kg/cm2)	2 - 4

GAS

Not used

STEAM

Not used

AIR

Not used

LEVEL SOUND

(dB) 62,00

ADVANCE OVEN, AE-102

High quality, fast cooking :

- Professional quality
- Easy to use and efficient
- Perfect results
- Affordable

Capacity for 20 1/1-GN trays or 10 2/1-GN trays.

Push-button and "Scrolling" controls.

5 cooking methods: Steam, Low-temperature steam, Regeneration, Combination and Convection (up to 300°C).

Preheating option.

Overnight cooking or low-temperature programme.

3 Speeds - 2 power ranges.

Cold-Down chamber cooling system.

"Auto-reverse" system to reverse fan rotation.

Electronic temperature probe.

Steam generator equipped with limescale detector.

Steam generator automatically empties every 24 hours of cooking.

Semi-automatic limescale removal system.

Error detection system.

"Repair service" mode system.

IPX-5 protection.

Retractable shower.

Built-in trolley and structure for trays.

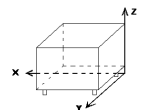
Power: 31.2 KW.

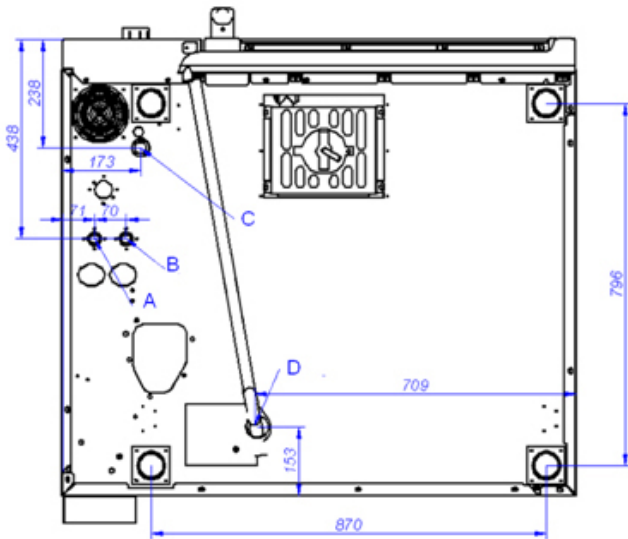
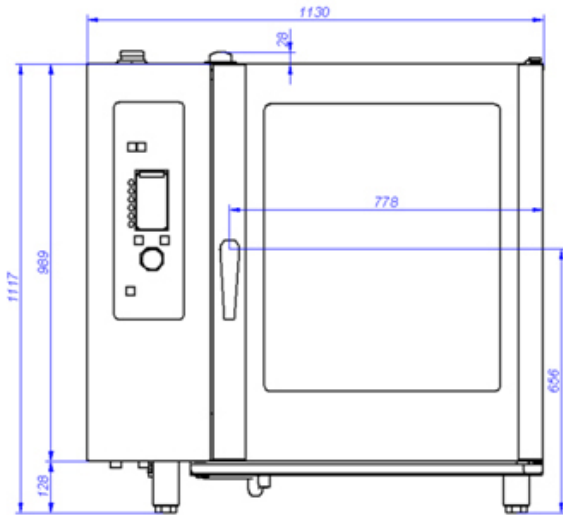
Dimensions: 1,130 x 1,063 x 1,117 mm.

Accessories in option:

- Support SH-102
- Neutral support-cabinet ANH or hot cabinet ACH
- Structure for trays EB-102 and loading trolley CP-102
- GN trays, grids, moulds...

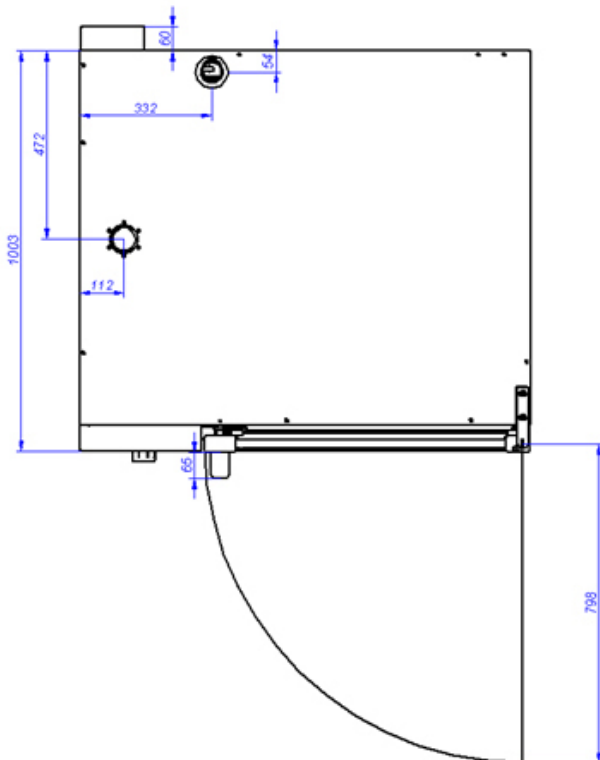
Connections points	X	Y	Z	Diameter	Information
ELECTRICITY	957	825	110		
COLD WATER	1.059	625	110	3/4"	
SOFT COLD WATER	989	625	110	3/4"	
DRAIN	709	213	110	30x25	





AE-102

VISTA DE LA BASE DESDE LA PARTE INFERIOR
VIEW FROM THE BOTTOM OF THE MACHINE



- A: Entrada de agua blanda
- B: Entrada de agua dura
- D: Desagüe

C: Alimentación eléctrica

- A: Soft water inlet
- B: Water inlet
- D: Drain

C: Electrical connection