



a Standex company

ITEM: \_\_\_\_\_ PROJECT NAME: \_\_\_\_\_ DATE: \_\_\_\_\_

## CURVED GLASS REFRIGERATED DELI CASE

- MODEL**  **CGR3648CD**  
 **CGR5048CD**  
 **CGR5948CD**  
 **CGR7748CD**



*Sleek curved-glass styling blends with traditional design elements to maximize performance.  
Cases are available in lengths of 36", 50", 59", and 77".  
Designed for continuous case line-ups without middle end glass.*

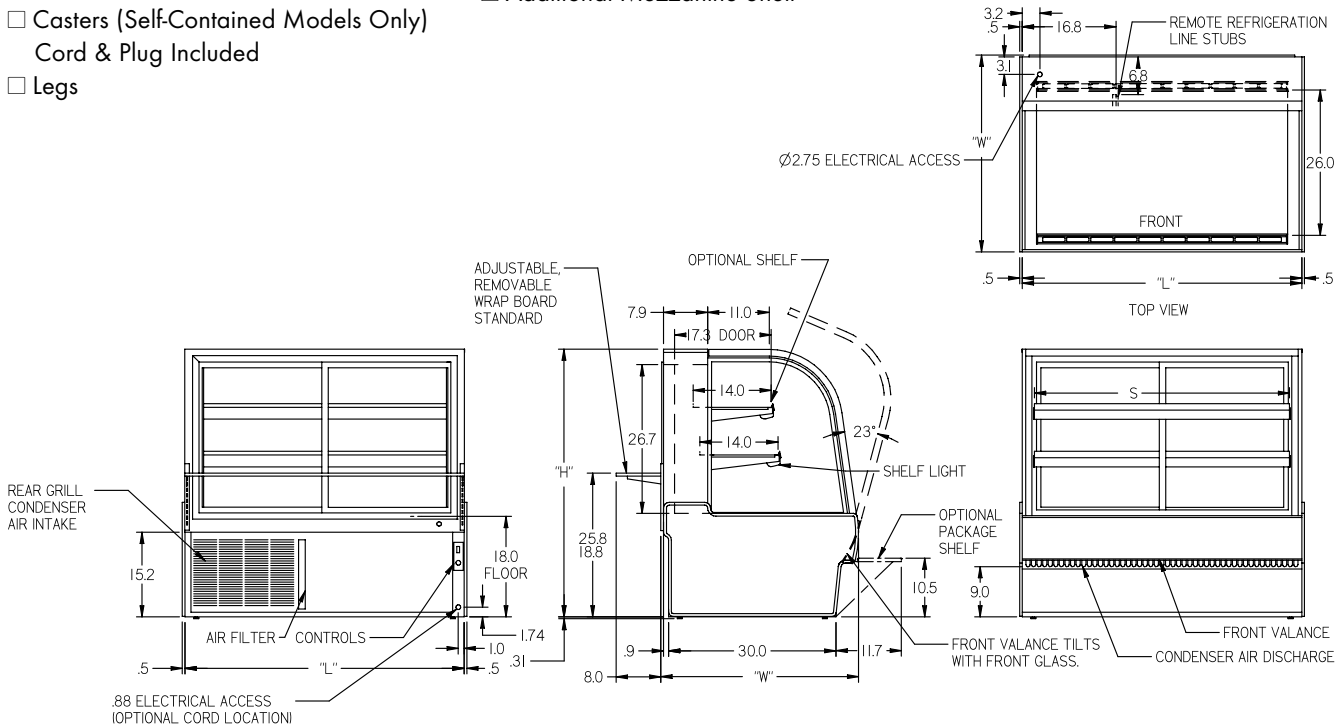
### STANDARD FEATURES

- Curved glass styling.
- Adjustable full-length stainless steel lighted mezzanine shelf. Shelf is adjustable up and down and can also be tilted in three positions.
- Removable rear wrapping board.
- Tempered thermopane tilt-out front glass for easy cleaning. Front glass is curved for high visual product displays.
- Tempered thermopane glass ends and doors.
- Removable sliding rear doors, shelf light, shelf supports, and shelf.
- Shielded top light and shelf light.
- Steel base construction with a choice of six standard laminates on base. Other finishes optional.
- Condenser air filter on self-contained units.
- UL Safety and UL Sanitation Listed.
- Thermometer.
- Removable, scratch-resistant, rustproof white display deck.
- Condensate evaporator provided for a totally self-contained system.
- Oversized coil and low-velocity fan system maintains high humidity and product freshness.
- Easy clean, rustproof insulated evaporator coil compartment.
- Easily accessible light switch and adjustable temperature control.
- Average case temperature of 36° to 38° is maintained.
- Rear access of the refrigeration system for quick and easy service.
- Black trim.
- Designed for continuous line-ups.
- 134A Refrigerant.

# CURVED GLASS REFRIGERATED DELI CASE

## OPTIONAL ACCESSORIES:

- Special Base Finish
- Additional Mezzanine Shelf
- Cord & Plug  
(NEMA 5-15P/77" 5-20P)
- Remote Refrigeration
- Reflective Ends
- White or Mirrored Interior Ends With Laminated Exterior
- Reflective Rear Doors
- Casters (Self-Contained Models Only)  
Cord & Plug Included
- Legs
- Top Cutting Board, White
- Package Shelf
- Light Below Package Shelf
- Front Glass and Rear Door Locks
- Joining Kit for Continuous Line-ups
- Scale Stand
- Step Riser or Pan Holder
- Glass Mezzanine Shelf
- Additional Mezzanine Shelf



## SPECIFICATIONS:

Model	Dimensions L W H	Shipping Weight (lbs)	Capacity (Step Risers)	Self-Contained 120/60/1	Remote 120/60/1
<input type="checkbox"/> CGR3648CD	36.13" x 35.31" x 48"	470	2	1/3 HP • 9.0 AMPS	2.3 AMPS
<input type="checkbox"/> CGR5048CD	50.13" x 35.31" x 48"	620	3	1/2 HP • 10.5 AMPS	2.3 AMPS
<input type="checkbox"/> CGR5948CD	59.13" x 35.31" x 48"	650	4	1/2 HP • 12.0 AMPS	2.5 AMPS
<input type="checkbox"/> CGR7748CD	77.13" x 35.31" x 48"	870	6	3/4 HP • 15.4 AMPS	3.3 AMPS

- Refrigerated cases are designed to operate in a maximum of 75°F ambient and 55% relative humidity.
- Due to continuing engineering improvements, specifications are subject to change without notice.



*The Signature of Quality*

**FEDERAL INDUSTRIES**  
A Standex Company

215 FEDERAL AVENUE, BELLEVILLE, WISCONSIN 53508-9201

PHONE: 800-356-4206

EMAIL: geninfo@federalind.com

FAX: 608-424-3234

WEBSITE: www.federalind.com

