



a **Standex** company

ITEM: \_\_\_\_\_ PROJECT NAME: \_\_\_\_\_ DATE: \_\_\_\_\_

## ITALIAN GLASS REFRIGERATED DISPLAY CASE



- MODEL**
- ITR3626-B18
  - ITR4826-B18
  - ITR6026-B18
  - ITR3634-B18
  - ITR4834-B18
  - ITR6034-B18

**Ideal for both Bakery  
& Deli Merchandising**

*Designed for customers looking for rich, up-scale Italian styling for maximum visual appeal that will drive product sales. Cases are available in lengths of 36", 48", and 60".*

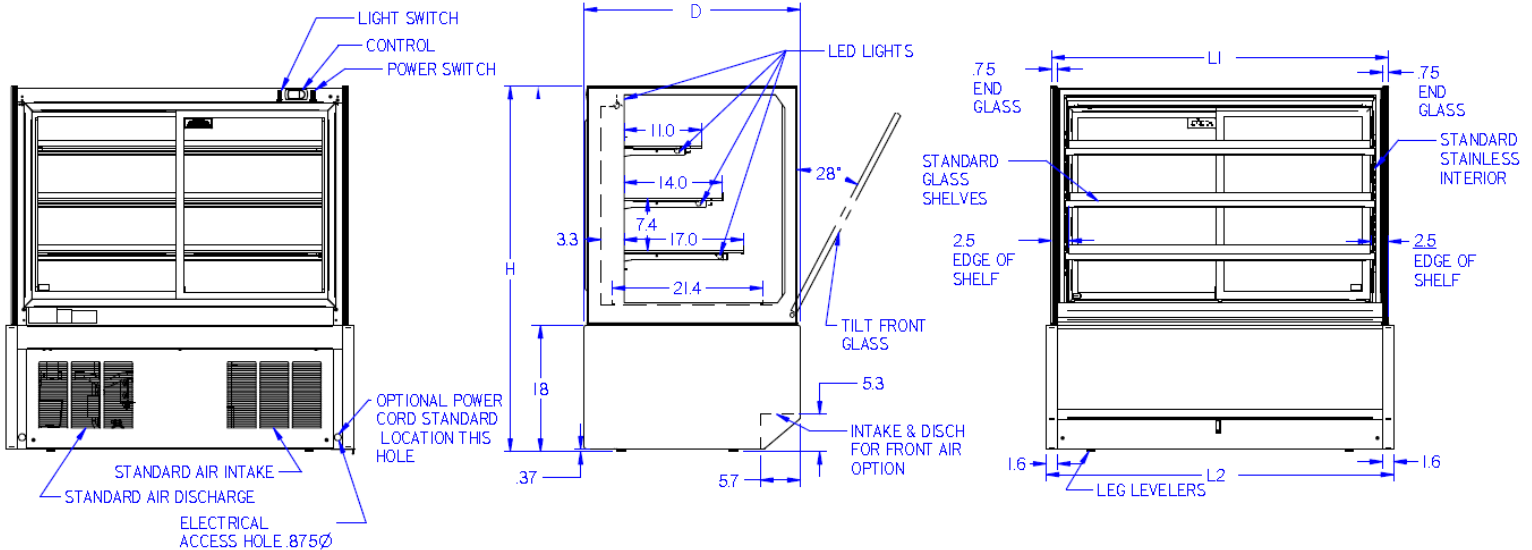
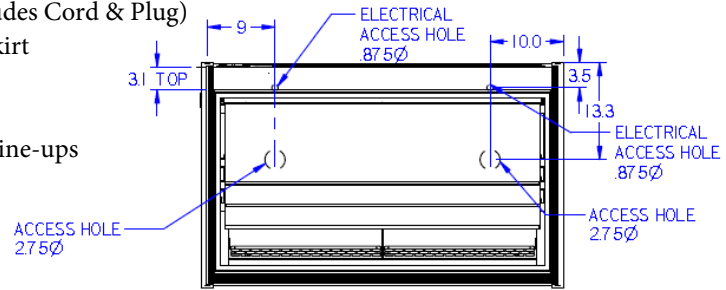
### STANDARD FEATURES

- Adjustable glass shelves. Shelves are adjustable up and down and can also be tilted in two positions. 34" models have three tiers of shelves; 26" models have two tiers of shelves.
- Tempered tilt-out front glass for easy cleaning.
- Tempered glass top, ends, and doors.
- Removable sliding rear doors.
- Shielded 3500K LED top light and shelf lights.
- Steel base construction with a choice of six standard laminates on base. Other finishes optional.
- Leg levelers
- Rear air intake & discharge.
- Condensate evaporator provided for a totally self-contained system.
- Oversized coil and low-velocity fan system maintains high humidity and product freshness.
- Easily accessible light switch, power switch, and electronic temperature control.
- Average product temperature of 36 to 40 F.
- Stainless steel interior
- UL, C-UL, and UL Sanitation Listed for Type II conditions.
- DOE 2017 Compliant

# ITALIAN GLASS REFRIGERATED DISPLAY CASE

## OPTIONAL ACCESSORIES:

- Special Base Finish
- Special Base Laminates
- Condensate Pump
- Cord & Plug (NEMA 5-15P)
- Stainless Steel Shelving
- Reflective Rear Doors
- Reflective Ends
- Flush End Panels
- Front Air Intake & Discharge
- Casters (4" or recessed)(Includes Cord & Plug)
- 6" Legs With and Without Skirt
- Rear Package Shelf
- Remote Condensing Unit
- Joining Kit for Continuous Line-ups



## SPECIFICATIONS:

MODEL	DIMENSIONS			SHIPPING	SELF CONTAINED	REMOTE	
	L1 / L2	D	H	WEIGHT	VOLTAGE/AMPS	VOLTAGE / AMPS	BTU @20 F°
ITR3626-B18	36" / 37.5"	30.75"	44"	520	120/60/1- MAX FUSE 20	120/60/1 -MAX FUSE 15	3400
ITR4826-B18	48" / 49.5"	30.75"	44"	635	120/60/1- MAX FUSE 20	120/60/1 -MAX FUSE 15	3800
ITR6026-B18	60" / 61.5"	30.75"	44"	760	120/60/1- MAX FUSE 20	120/60/1 -MAX FUSE 15	4200
ITR3634-B18	36" / 37.5"	30.75"	52"	560	120/60/1- MAX FUSE 20	120/60/1 -MAX FUSE 15	3400
ITR4834-B18	48" / 49.5"	30.75"	52"	670	120/60/1- MAX FUSE 20	120/60/1 -MAX FUSE 15	3800
ITR6034-B18	60" / 61.5"	30.75"	52"	795	120/60/1- MAX FUSE 20	120/60/1 -MAX FUSE 15	4200

- If a GFCI circuit is required, a GFCI Breaker Must be used instead of GFCI receptacle.
- Due to continuing engineering improvements, specifications are subject to change without notice.



## Look to Federal for Innovative Merchandising



*The Signature of Quality*

**FEDERAL INDUSTRIES**  
A Standex Company

215 FEDERAL AVENUE, BELLEVILLE, WISCONSIN 53508-9201

PHONE: 800-356-4206

EMAIL: [geninfo@federalind.com](mailto:geninfo@federalind.com)

FAX: 608-424-3234

WEBSITE: [www.federalind.com](http://www.federalind.com)

