



a Standex company

ITEM: _____ PROJECT NAME: _____ DATE: _____

REFRIGERATED SELF-SERVE MULTI-DECK SPECIALTY MERCHANDISER

REMOTE UNITS DESIGNED FOR CONTINUOUS LINE-UPS

- MODEL LMD4878R
 LMD7278R
 LMD9678R



Designed with impulse in mind. Get maximum return from an attention-grabbing merchandiser and increase profits. Available in lengths of 4', 6' and 8'.

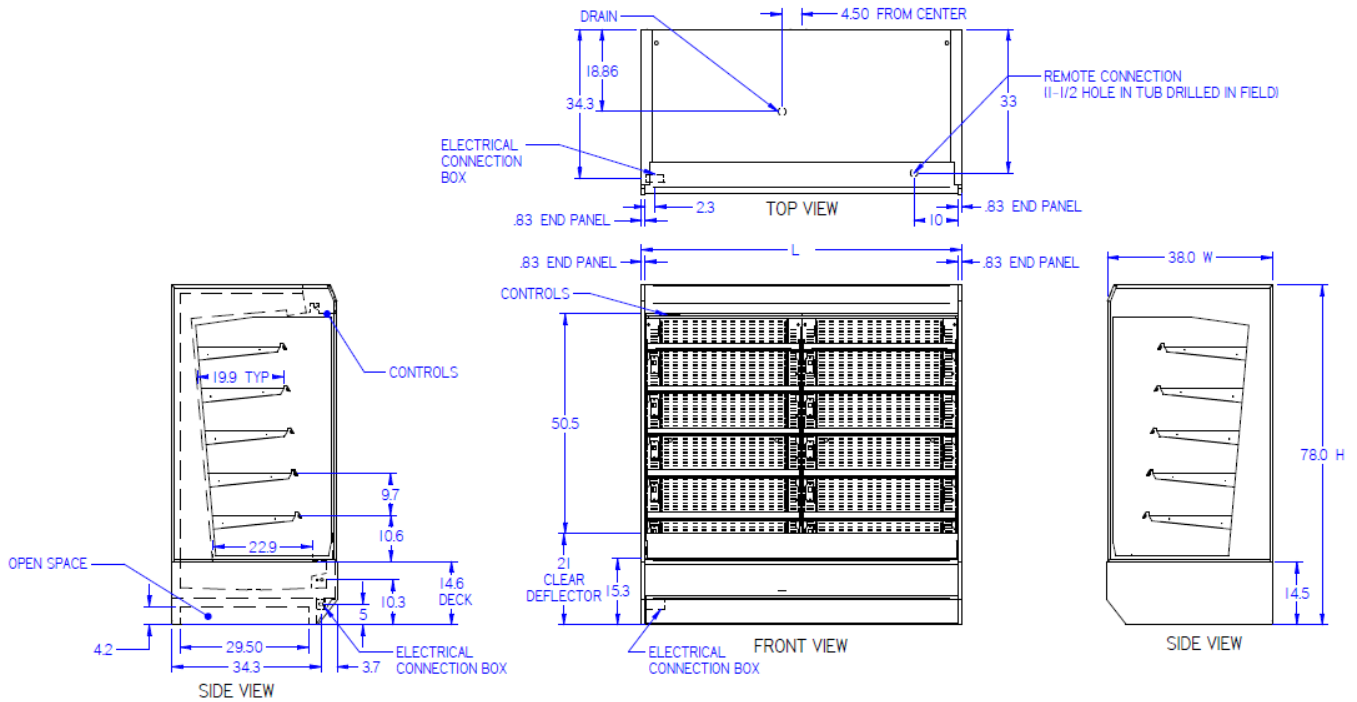
STANDARD FEATURES

- Adjustable white metal shelves with price tag molding. Shelves can be flat or slanted. Five tiers, black optional.
- White interior, black optional.
- Lighted ceiling and LED shelf lights.
- Choice of six standard laminates on exterior base, other colors laminates are optional. Black trim and top front canopy.
- Energy saving night curtain.
- Thermometer
- Insulated with high-density urethane foam.
- Designed for continuous line-ups.
- Electronic temperature control maintains average product temperature 38° to 40°. Note: Case temperature will vary if the air curtain is disrupted.
- UL Safety and UL Sanitation Listed to NSF Type II conditions.
- DOE 2012 Compliant.

REFRIGERATED SELF-SERVE MULTI-DECK SPECIALTY MERCHANDISER

OPTIONAL ACCESSORIES

- Special Laminate Base Finish
- Joining Kit For Continuous Line-ups
- Condensate Pump
- Black Interior (Including Shelving)
- White Top Front Canopy
- Reflective End Glass



SPECIFICATIONS:

Model	Dimensions			Shipping Weight (lbs)	Remote 120/60/1
	L	W	H		
<input type="checkbox"/> LMD4878R	49.8"	38"	78"	800	120/1/60 • 15 AMPS
<input type="checkbox"/> LMD7278R	73.8"	38"	78"	1,070	120/1/60 • 15 AMPS
<input type="checkbox"/> LMD9678R	97.8"	38"	78"	1,260	120/1/60 • 15 AMPS

- Case temperature will vary if the air curtain is disrupted.
- Refrigerated cases are designed to operate in a maximum environment of 80° F ambient and 55% relative humidity.
- Due to continuing engineering improvements, specifications are subject to changes without notice.
- If a GFCI circuit is required, a GFCI Breaker Must be used instead of GFCI receptacle.



The Signature of Quality

FEDERAL INDUSTRIES
A Standex Company

215 FEDERAL AVENUE, BELLEVILLE, WISCONSIN 53508-9201

PHONE: 800-356-4206

EMAIL: geninfo@federalind.com

FAX: 608-424-3234

WEBSITE: www.federalind.com

