



a Standex company

ITEM: \_\_\_\_\_ PROJECT NAME: \_\_\_\_\_ DATE: \_\_\_\_\_

## MARKET SERIES REFRIGERATED DELI CASE

- MODEL  SQ-3CD  
 SQ-4CD  
 SQ-5CD  
 SQ-6CD  
 SQ-8CD



Panel base shown

*Market Deli. The low profile merchandiser that provides solutions to your fresh food merchandising needs. Cases are available in lengths of 3', 4', 5', 6', and 8'.  
Designed for continuous case line-ups without middle end glass.*

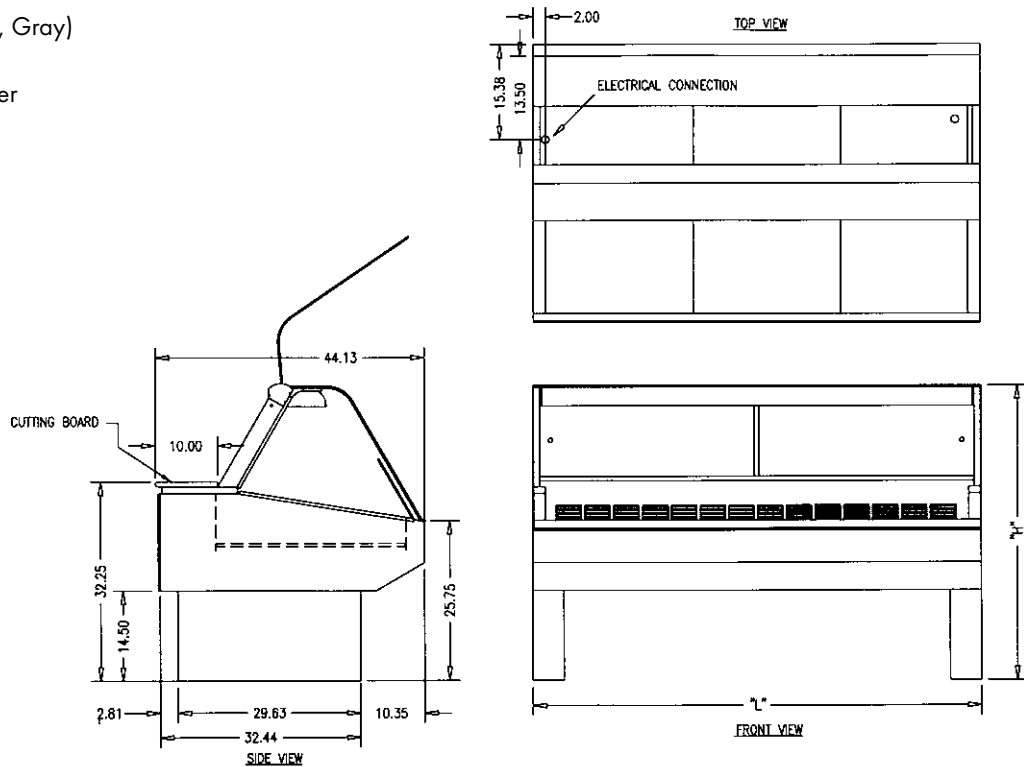
### STANDARD FEATURES

- Lift-up, pneumatic, cylinder-assisted curved front glass.
- Four-point leveling system.
- Rear work counter.
- Octron top light.
- Pedestal or panel base design.
- Tempered front and end glass.
- **Removable rear door assembly. Doors not required for operation.**
- Stainless steel interior and exterior finish.
- Solid-state control panel with main power, light, and temperature readout; humidity control optional.
- Condensate evaporator provided for a totally self-contained system. Remote refrigeration available.
- Average case temperature of 36° to 38°F is maintained.
- Oversized coil and low-velocity fan system maintains product freshness and high humidity.
- Appliance receptacle provided on back for cash register, scale, or slicer.
- Coated evaporator coil.
- UL & UL Sanitation Listed.
- Designed for continuous case line-ups.
- R134A Refrigerant.

# MARKET SERIES REFRIGERATED DELI CASE

## OPTIONAL ACCESSORIES:

- Special Case Height (50" or 52")
- Front Bumper Rail  
(Black, White, Green, Gray)
- Reflective End Glass
- Display Riser or Step Pan Holder
- Remote Refrigeration
- Decorative End Panel  
(Black, White, Green, Gray)
- Scale Stand
- Food Container Holder
- Top Service Shelf
- Humidity Control
- Accent Base Light
- Slicer Stand
- Promolux Lighting
- Non-Glare Glass
- Mezzanine Shelf, Lighted  
(For Non-Refrigerated Product)
- Fish Case Package  
(Includes Ice Pan and Drain)
- Condensate Pump



## SPECIFICATIONS:

Model	*Dimensions L W H	Approx. Shipping Weight (lbs)	Capacity Display Riser	** Self-Contained 120/60/1	** Remote 120/60/1
<input type="checkbox"/> SQ-3CD	36" x 44 1/8" x 48"	690	3	1/2 HP • 11.5 AMPS	6 AMPS
<input type="checkbox"/> SQ-4CD	48" x 44 1/8" x 48"	745	4	1/2 HP • 13.8 AMPS	7 AMPS
<input type="checkbox"/> SQ-5CD	60" x 44 1/8" x 48"	895	5	1/2 HP • 13.8 AMPS	7 AMPS
<input type="checkbox"/> SQ-6CD	72" x 44 1/8" x 48"	1,035	7	1/2 HP • 14.8 AMPS	7 AMPS
<input type="checkbox"/> SQ-8CD	96" x 44 1/8" x 48"	1,185	9	3/4 HP • 16.0 AMPS	8 AMPS

\* Without decorative end panel.

\*\* Plus general receptacle 120V, 15 AMP. (2nd circuit required.)

• **When ordering, specify case line-up and pedestal or panel design.**

• Cases are designed to operate in an environment of 75° ambient and 55% relative humidity.

• Due to continuing engineering improvements, specifications are subject to change without notice.



*The Signature of Quality*

**FEDERAL INDUSTRIES**  
A Standex Company

215 FEDERAL AVENUE, BELLEVILLE, WISCONSIN 53508-9201

PHONE: 800-356-4206

EMAIL: geninfo@federalind.com

FAX: 608-424-3234

WEBSITE: www.federalind.com

