

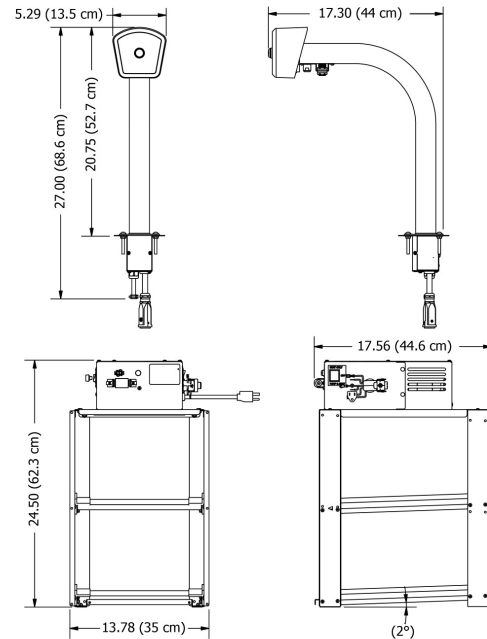
# Popcorn Topping Dispenser

Model No. 2396-00-200 and 2396-00-201

## Specifications



Model without photo-eye shown above.



Model with photo-eye shown above.

Countertop and enclosed cabinet to be provided by customer.

### Overall Dimensions:

**Width:** Refer to drawing shown above.

**Depth:**

**Height:**

Power cord is attached to the rack assembly—pedestal connects to rack with an electrical cable.

### Electrical - Domestic

120V

324 WATTS 60 Hz

(NEMA 5-15P) Plug

**Plug Type:**



NEMA 5-15P

**Agency Approvals:**



### Model Description:

**2396-00-200** - Single pedestal—no photo-eye, one open rack assembly.

**2396-00-201** - Single pedestal with photo-eye, one open rack assembly.

### Features:

- LED Lighted Sign on Pedestal
- Forced air heating system, controls temperature of cabinet to 120-130°F.
- Heater in pedestal assures dispense temperature of 110-130°F.
- Heated line capability (heated line sold separately).
- Stainless steel drip tray included with unit.
- Rack holds (2) 35 lb. boxes of topping.

### Options (sold separately):

Base (2495-00-200 or 2495-00-210), Heated Line Kit (2396-HL-200); ADA Remote Switch (2396-RS-200)



**Gold Medal Products Co.**

10700 Medallion Drive, Cincinnati, OH 45241

Ph: (513) 769-7676, (800) 543-0862; Fax: (513) 769-8500

gmpopcorn.com info@gmpopcorn.com