

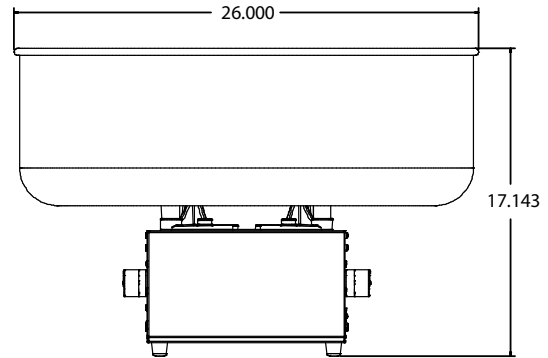


GOLD MEDAL PRODUCTS CO.

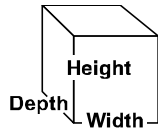
Floss Maxx®

Model No. 3077-00-000

Specifications



Dimensions with Floss Pan



Overall Dimensions:

Width: 13.696"

Depth: 12.968"

Height: 15.063"

Electrical (Domestic):

120 V~, 1800 W, 60 Hz

(NEMA 5-15P) Plug

Shipping Weight: 30 lbs.

Plug Type:



NEMA 5-15P

Agency Approvals:



Gold Medal Products Co.

10700 Medallion Drive, Cincinnati, OH 45050

Phone: (513) 769-7676 1-800-543-0862

Fax: (513) 769-8500

gmpopcorn.com info@gmpopcorn.com



Warranty shall be limited to the repair or replacement of any defective part for a period of six (6) months from the date of sale to the Original purchaser with regard to labor and two (2) years with regard to parts and does not cover damage to the equipment caused by accident, alteration, improper use, voltage, abuse, or failure to follow instructions. See official warranty for complete details.