

Item#

Project

Date

Models: B-ID



Model B-ID

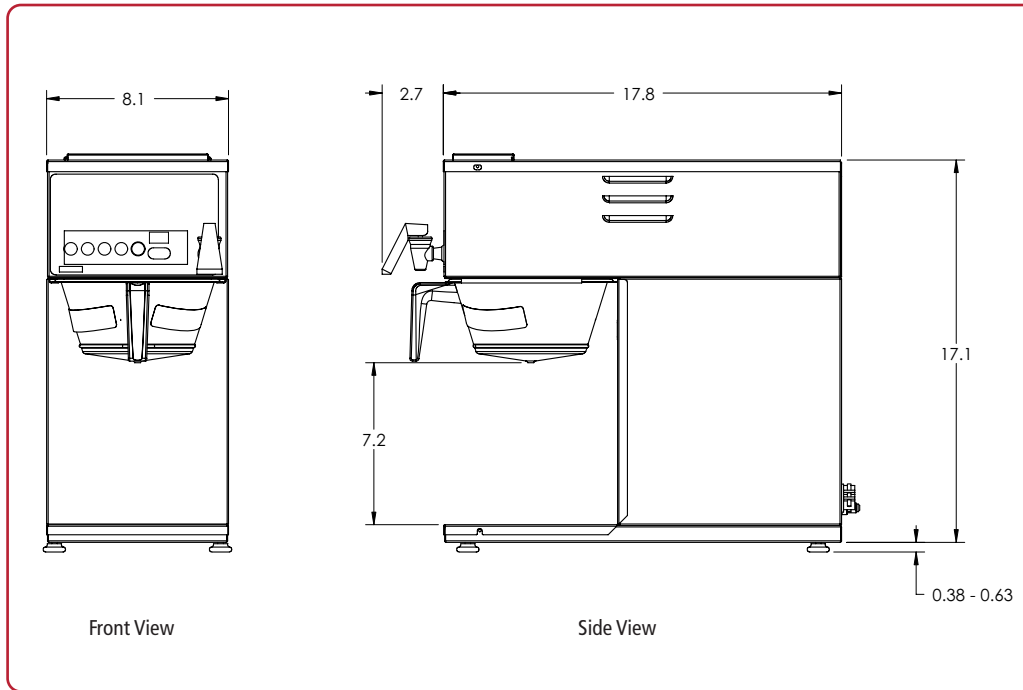
Features

- Model B-ID is a single, digitally controlled brewer that brews into a 1.9L (64oz.) stainless steel vacuum insulated decanter (decanter sold separately).
- The vacuum insulated, stainless steel decanters model SS-1.9LR (regular) and SS1.9LD (decaf), hold freshly brewed coffee for hours without additional heat.
- Precise Brew Temperature - The brewer will hold the brew temperature to +/- 1°F during the complete brew cycle.
- Brew Volume - Can be set by 'teach' mode to eliminate trial-and-error set-up.
- Pulse brewing/pre-infusion - Allows the brew sequence to extract up to 20% more dissolved solids per batch of coffee. Programmable: number of pulses, pulse-on time and pulse-off time. Changing the pulse sequence does not affect the brew volume.
- Low Temp/No Brew - Allows the brew cycle to begin only when the water has reached the optimum brew temperature.
- Cycle Counter - The brewer counts the total number of brew cycles.
- Programming Lock-Out - The brewer settings can be "locked" to prevent tampering.
- Pour-Over Capability - Automatically converts to pour-over mode when the inlet valve does not sense water. Also capable of being manually set to pour-over mode through the front.
- Dual Voltage with toggle switch models are available to accept 120/240V or 120V supply
- Model B-ID-120V has a plastic brew basket.
- Warranty - 2 years parts and labor on the brewer. 3 years part warranty on the control board..

Models & Dimensions



B-ID Single, Insulated Decanter Brewer



Specifications

Model	Description	Dimensions (H x W x D)	Ship Dimensions (H x W x D)	Electrical	Ship Weight
B-ID	Single, digitally controlled brewer brews into (1) 1.9L SS vacuum insulated container.	17.75" x 8.25" x 17.75" (45 cm x 21 cm x 45 cm)	22" x 13" x 24" (56 cm x 33 cm x 61 cm)	120V / 1780W / 14.9A 120/240V / 3500W / 14.6A 120/208V / 2630W / 12.7A	37 lbs. (17 kg)
B-ID-120V	Single, digitally controlled brewer brews into (1) 1.9L SS vacuum insulated container.	17.75" x 8.25" x 17.75" (45 cm x 21 cm x 45 cm)	22" x 13" x 24" (56 cm x 33 cm x 61 cm)	120V / 1780W / 14.9A	37 lbs. (17 kg)

Plumbing: 1/4" (6.35 mm) flare water line at 30 - 80 psi required. **Electrical:** Line cord included.

Capacity: 1.9L insulated decanters per hour: @ 120V = 8, @ 208V = 12, @ 240V = 16.

Note: Decanters sold separately.

Contact Grindmaster-Cecilware™ for more information. Specifications subject to improvement or change without notice.

Accessories

Model	Description
SS-1.9LR	1.9L SS vacuum insulated decanter with brew through lid. Black lid
SS-1.9LD	1.9L SS vacuum insulated decanter with brew through lid. Orange lid
DR-2SU	Black, powder-coated decanter rack. Accompanies standard glass decanters and SS-1.9 vacuum insulated decanters.



GRINDMASTER-CECILWARE™ 4003 Collins Lane, Louisville, KY 40245 USA

Tel: +1.502.425.4776 / 800.695.4500 (USA & Canada only) • Fax: +1.502.425.4664 • www.gmcw.com • Email: info@gmcw.com