
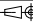
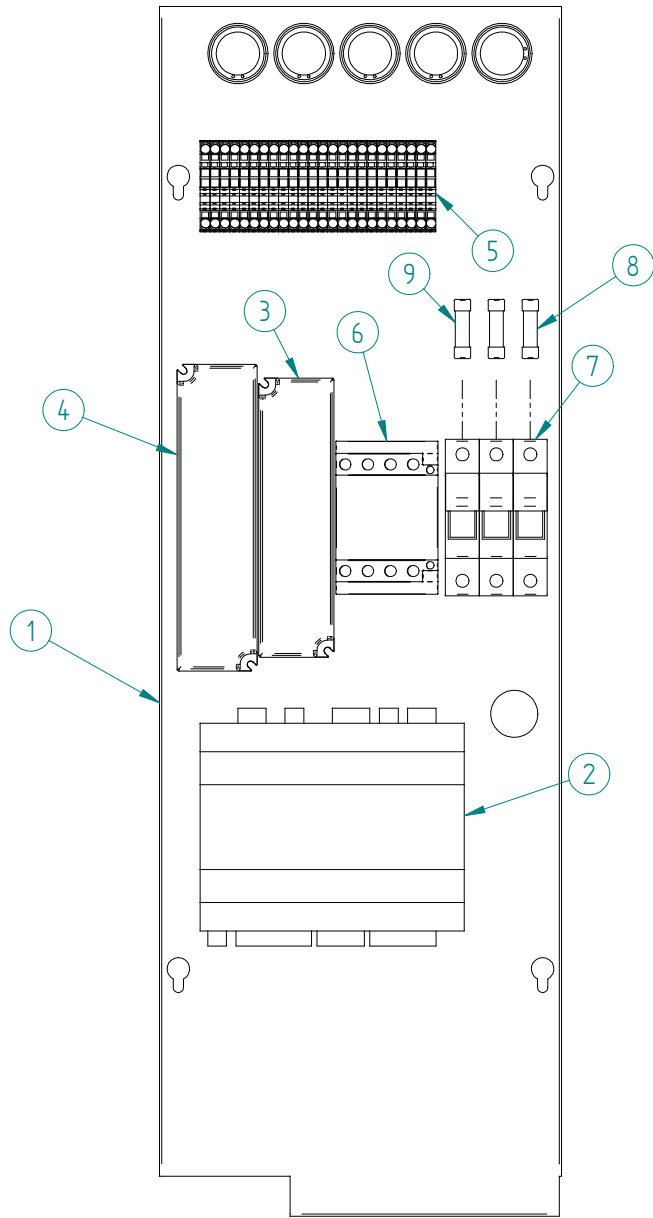



N°	Code	DESCRIPTION	Qty
1	10AB201C122	CONTROL PANEL	1
2	10AB201C40	BOTTOM BASE	3
3	10AB201C41	RACK GUIDES	2
4	10AB201C42	DOOR FRAME PROTECTOR	1
5	10AB201C515V	EVAPORATOR COVER	1
6	10AB201C54	BRACKET FOR EVAPORATOR	8
7	10AB201C60	ELECTRICAL CONNECTIONS COVER	1
8	201ABT14	DOOR, ABT201C	1
9	201ABT20	DOOR LOCK, ABT	1
10	303A45	EVAPORATOR, ABT201	1

N°	Code	DESCRIPTION	Qty
11	304UL02	FAN MOTOR, A2E250-AE31-16, 115V / 60Hz	5
12	305X12	THERMOSTATIC EXPANSION VALVE, TES2 R404A	1
13	308UL02	SOLENOID VALVE, BODY, EVR 6, 3/8"	1
14	308UL03	SOLENOID VALVE, COIL, 115V / 60Hz	1
15	308X84	EVCO DIGITAL CONTROLLER, ABT	1
16	308X87	USB CONNECTOR	1
17	308X88	USB CONNECTOR COVER	1
18	406X12	DOOR FRAME HEATER	1
19	507S05	DRAIN PIPE	1

Dibujado: JJimenez	Comprobado:	 Título: ABT20 1C (115V / 60Hz)	
N. Documento	Fecha: 21/11/13 Rev:		
Motivo cambio		Escala:	
Material		Medidas	
		Espesor: A2	 ABT201C_62.dft Hoja 1 de 2



Nº	Code	DESCRIPTION	Qty
1	10AB201C99	ELECTRICAL BOX BASE PLATE, ABT201C	1
2	308X54A	ELECTRONIC CONTROLLER KIT BCIFXMW100	1
3	401UL04	TRANSFORMER, 120V/24V LPV-35	1
4	401X59	TRANSFORMER, 120V/12V LPV-60	1
5	402X52	TERMINAL BLOCK, 2-PIN, WAGO 2,5mm2	24
6	405UL05	CONTACTOR 3P NO 25A, 120V mod. 16136	1
7	405X16	FUSE BLOCK HOLDER	3
8	405X26	FUSE BLOCK, 10x38 10A	2
9	405X31	FUSE BLOCK, 10x38 2A	1

Dibujado: JJimenez		Comprobado:		 Titulo: ABT20 1C (115V / 60Hz)	
N. Documento	Fecha: 21/11/13	Rev.			
Motivo cambio				Escala:	
Material				Medidas	
				Espesor:	A2
				ABT201C_62.dft	
				Hoja 2 de 2	