



Project: _____
 Location: _____
 Item #: _____ Quantity: _____
 Model #: _____

MODEL: VSU 77 L **SUSHI CASES – Left Condensing Unit**



VSU 77 L

General Strengths

- ✓ **Sanitation.** The interior cabinet is built with rounded corners (extensive radius for easy cleaning). Quick ability to take off shelves and slides for interior cleaning. Each cabinet has a drain at the bottom of the unit. When cleaning the unit make sure the drain hose is routed to a floor drain.
- ✓ **Control systems.** Higher precision in managing temperature settings. Greater ability to adjust temperature ranges as per the end user's requirement.

- ✓ **100% Tested.** All condenser units are tested 100%, in helium chambers to refrigerant leak detections.
- ✓ **Certified.** Audited and Certified by **INTERTEK** for compliance with UL 471 and NSF 7. AENOR audited and certified by internationally recognized firm. ISO 9001:2008 (Quality); ISO 14001:2004 (Environmental); OSHAS 18001:2007 (Prevention and Worker Safety)
- ✓ **Lighting.** Interior cabinet includes LED lighting, for brighter lighting and energy efficiency. LED saves 90% more energy compared to traditional fluorescent bulbs. Increases product visibility considerably.

MODEL	Dimensions (inches) (mm)			Nº Doors	Ref.	Ref. Weight (Lbs.) (gr.)	Temp. Range (°F) (°C)	Capacity (Cu. Ft.) (L)	Cond. Unit. H.P.	Case Amps 115 V.	Crated Weight (Lbs.) (Kg.)
	W	D	H								
VSU 77 L	77-5/8 1972	16-1/8 410	9 230	2	R134a	1.10 500	30°F/34°F -1°C/+1°C	1.14 32	1/8	3.8	171 78

ETL LISTED TO UL471 STANDARD AND SANITATION CLASSIFIED TO NSF7 – WE RESERVE THE RIGHT TO CHANGE SPECIFICATIONS WITHOUT PRIOR NOTICE



Infrico USA Corp.
 3325 N.W. 70th Avenue
 Miami, FL 33122-1332
 1.305.777.9599 Office
 1.305.777.9598 Fax

www.infrico.us
 operations@infrico.com
 service@infrico.com
 sales@infrico.com

APPROVALS: AVAILABLE AT:

Revision: 01 Date: 10/10/2013



Project: _____
Location: _____
Item #: _____ Quantity: _____
Model #: _____

MODEL: VSU 77 L **SUSHI CASES – Left Condensing Unit**

STANDARD FEATURES

➤ **Exterior**

- AISI 304 Stainless Steel,
- Front lift-up glass system,
- Levelling feet.



➤ **Interior**

- AISI 304 Stainless Steel,
- Internal drain plug for high water pressure cleaning,
- Sealed interior floors and rounded cabinet corners.
- LED Lighting in top profile.


➤ **Doors**

- Top mounted sliding rear doors.

➤ **Refrigeration**

- Temperature regulated by a digital controller.
- Ventilated condensation system.
- Cooling plate and gravity coil.

➤ **Electrical**

- Cord and NEMA 5-15P plug. 
- Electrical connection is 115V / 1ph / 60 Hz.

➤ **ETL Listed to UL471 Standard and Sanitation classified to NSF7.**

➤ **Insulation**

- High density CFC free Polyurethane foam.

OPTIONAL FEATURES

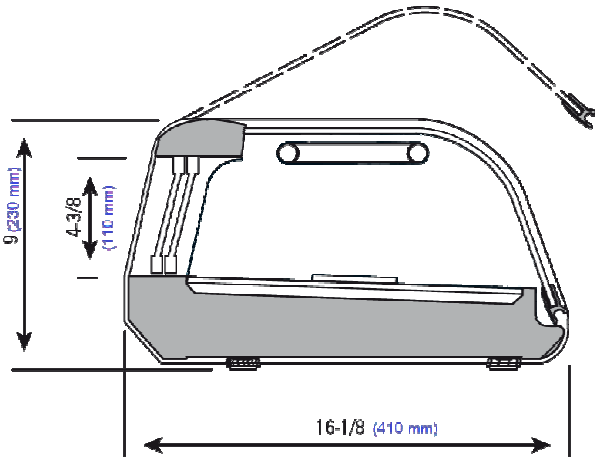
- ✓ Electrical connection is 220-230 V / 1ph / 50 Hz (plug type varies).



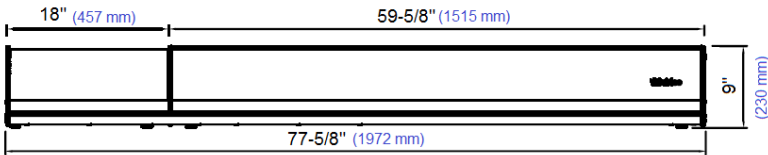
Only exposure previously refrigerated product
Remove the product and disconnect daily

PLAN VIEW

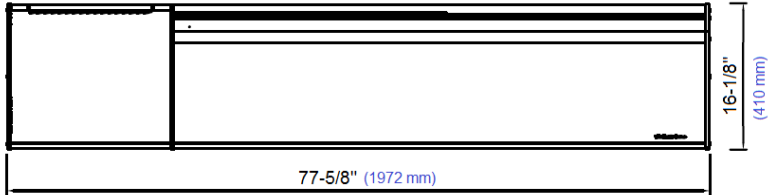
RIGHT VIEW



ELEVATION



PLAN VIEW



Revision: 01 Date: 10/10/2013

ETL LISTED TO UL471 STANDARD AND SANITATION CLASSIFIED TO NSF7 – WE RESERVE THE RIGHT TO CHANGE SPECIFICATIONS WITHOUT PRIOR NOTICE



Infrico USA Corp.
3325 N.W. 70th Avenue
Miami, FL 33122-1332
1.305.777.9599 Office
1.305.777.9598 Fax

www.infrico.us
operations@infrico.com
service@infrico.com
sales@infrico.com

APPROVALS: AVAILABLE AT: