



UNDER COUNTER FREEZERS



› FEATURES

- CFC free refrigerant and foam insulation
- Electronic thermostat and digital LED temperature display for accurate control and easy reading
- Easy to mount 2.5" casters (lockable in front) are standard with all units
- Self-closing doors that remain open at 90 degrees
- Magnetic gasket can be replaced without any tools
- Adjustable, heavy-duty epoxy coated wire shelves (one per door)
- Stainless steel framework construction
- Auto defrosting and auto evaporation of condensation water
- Freezer doors have integral factory installed heating element to eliminate condensation
- Exterior: 430 stainless steel, door & front panel: 202 stainless steel
- Interior: side panel: ABS plastic, bottom: 304 stainless steel, balance in aluminum
- Temperature: 0 to -10°F / -17 to -23 °C
- Electrical: 115/60/1 with NEMA 5-15P plug

› SPECIFICATIONS

MODEL	DOORS	EXT. DIMENSIONS W x D x H (in)	INT. DIMENSIONS W x D x H (in)	AMPS	H.P.	SHIP WEIGHT
KUC27F	1	27.8 x 29.9 x 35.5	23.0 x 24.9 x 24.2	7	1/2	210 lbs
KUC48F	2	48.2 x 29.9 x 35.5	43.5 x 24.9 x 24.2	9	1/2	302 lbs
KUC60F	2	61.2 x 29.9 x 35.5	56.5 x 24.9 x 24.2	10	5/8	353 lbs
KUC72F	3	71.7 x 29.9 x 35.5	67.0 x 24.9 x 24.2	10	5/8	386 lbs

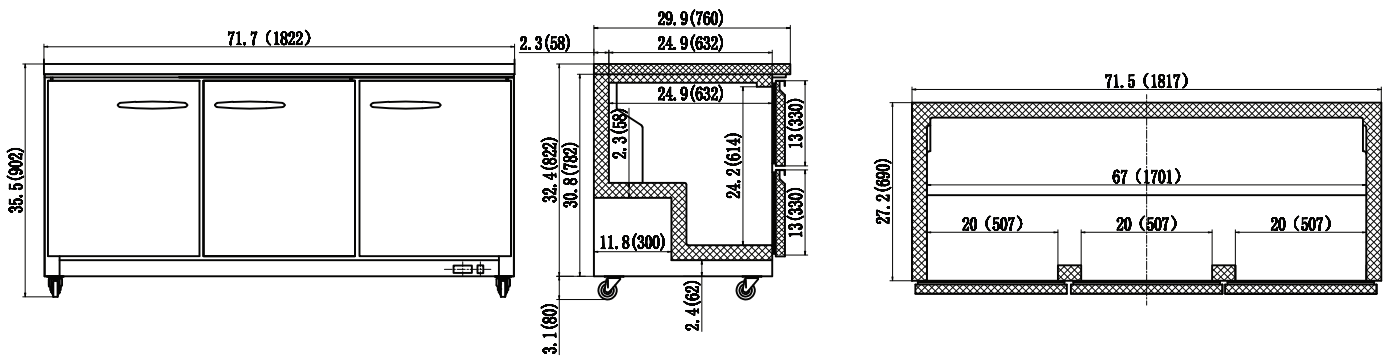
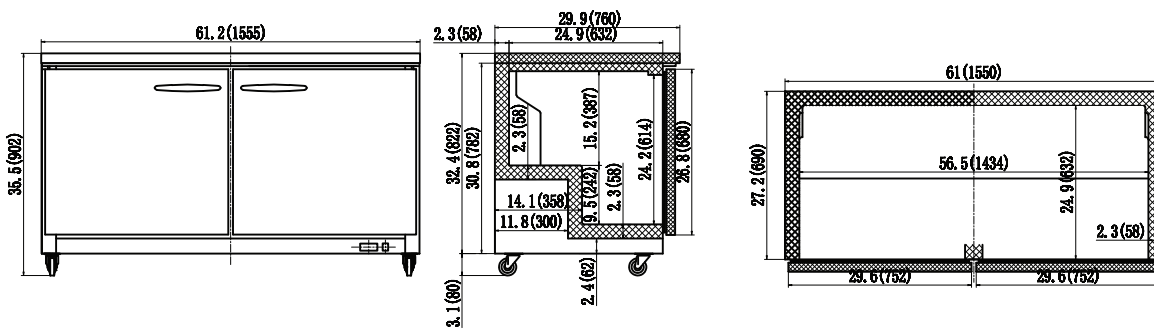
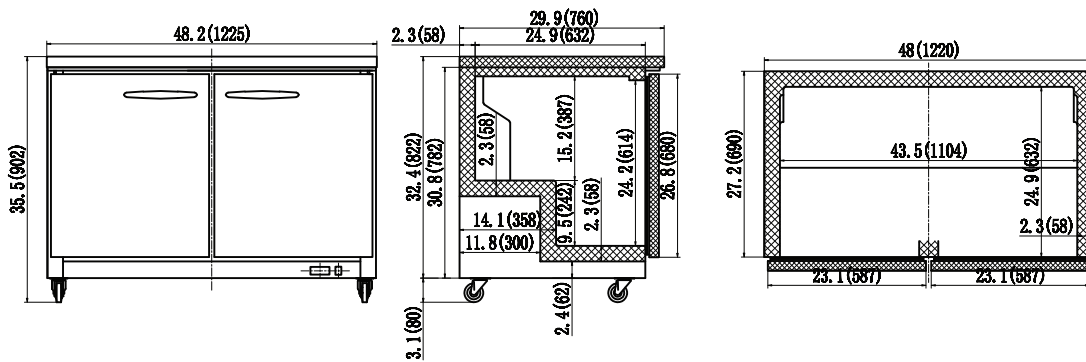
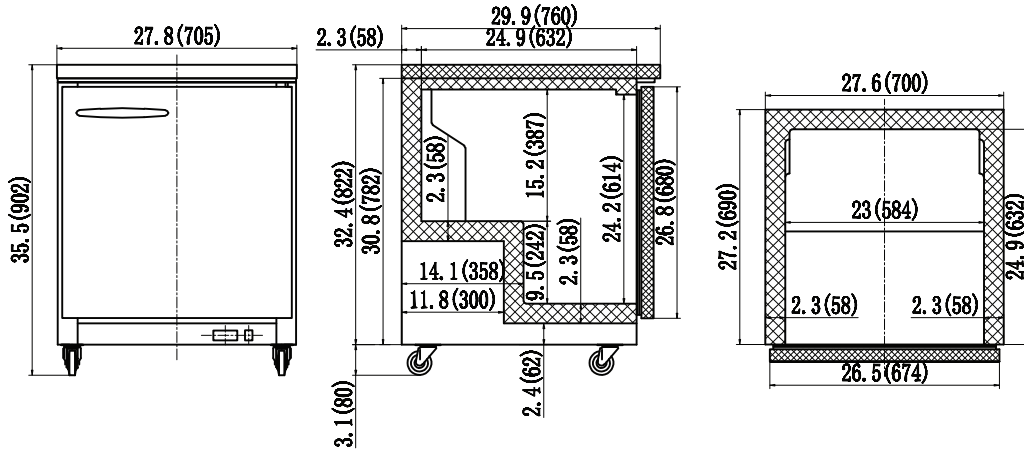
CERTIFIED TO ANSI/NSF-7 STANDARDS



Head Office : 5659 Royalmount Ave., Montreal, Qc, Canada H4P 2P9
 TEL: (514) 737-9701 • TOLL FREE: (888) 275-4538
 FAX: (514) 342-3854 • TOLL FREE FAX: (877) 453-8832

US Sales Office : 12000 Biscayne Blvd, Suite 108, Miami, FL 33181
 TEL: (786) 600-4687 • TOLL FREE: (844) 218-8477 • FAX: (786) 661-4100
 mvpgroupcorp.com • sales@mvpgroupcorp.com





Dimensions in inches (mm)