



BACKBAR COOLERS

SELF CONTAINED & REMOTE

INSTALLATION AND OPERATION INSTRUCTION MANUAL



SELF-CONTAINED MODEL SERIES

BS36L/R- _____ -
BS60L/R- _____ -
BS84L/R- _____ -
BS108L/R- _____ -

NS32L/R- _____ -
NS52L/R- _____ -
NS72L/R- _____ -
NS92L/R- _____ -



REMOTE MODEL SERIES

BR48L/R- _____ -
BR72L/R- _____ -
BR96L/R- _____ -

NR40L/R- _____ -
NR60L/R- _____ -
NR80L/R- _____ -



“WE RAISE THE BAR”

TABLE OF CONTENTS

WARRANTY INFORMATION	3
INSTALLATION	4
OPERATION & MAINTENANCE	5
SPECIFICATIONS	6,7
WIRING DIAGRAM	8
PARTS BREAKDOWN	9-12
FREQUENTLY ASKED QUESTIONS	13

***** IMPORTANT *****

**CONDENSER MUST BE CLEANED
EVERY 60 DAYS OR MAY VOID WARRANTY**

***** IMPORTANT *****

**WARRANTY WORK MUST BE AUTHORIZED BY
FACTORY PRIOR TO SERVICE BEING DONE**

***** IMPORTANT *****

COOLER MUST BE LEVEL TO OPERATE PROPERLY

** This equipment is intended for the storage and display of
non-potentially-hazardous bottled or canned products only **

Krowne Metal Corporation

100 Haul Rd. Wayne, NJ 07470 • Toll Free: (800) 631-0442 • Fax: (973) 872-1129
sales@krowne.com • www.krowne.com • www.facebook.com/KrowneMetal • www.twitter.com/KrowneMetal



WARRANTY INFORMATION

All Krowne Metal Corporation (KMC) refrigeration products are warranted to be free of defects in material and workmanship within one year of factory ship date.

WARRANTY FORM

A warranty form is included with this manual and must be completed and faxed to KMC at (973) 872-1129. Registration must be complete within 2 weeks of install. Failure to do so may void labor warranty.

ONE YEAR PARTS & LABOR WARRANTY

PARTS WARRANTY: Any part found defective under normal use within one year of factory ship date will be replaced by KMC. Warranty is void in the absence of proper maintenance, operation and authorized service. Warranty is also void on units that have been damaged in freight, field altered, lack of proper electrical requirements, fire, flood or natural disaster.

REPLACEMENT PARTS: Must be returned to KMC prepaid. Credit will be issued upon return and inspection of defective part.

LABOR WARRANTY: Labor service **MUST** be approved by KMC before work is done. If authorization is not obtained warranty is void. KMC is not responsible for any loss of product or sales during that time. Any additional costs due to after hour services or excessive travel time (more than an hour) will be incurred by end user. Labor warranty covers all 50 states.

5 YEAR COMPRESSOR WARRANTY

Compressor is covered by a 5 year replacement warranty and a one year labor warranty from the original factory ship date.



INSTALLATION

At Krowne Metal Corporation (KMC) we are dedicated to customer satisfaction. This installation guide is provided to clarify and answer any questions you may have regarding our line of Backbar Coolers. Please read this guide before attempting installation or operation. Thank you for choosing KMC as your Backbar Cooler provider.

UNCRATING

Remove all shipping material from unit before operation. Please inspect unit for any hidden freight damage and report any damage immediately to Krowne Metal Corp. If included, install optional casters or legs to bottom of unit. Please avoid turning unit on it's side or rear to install accessories. If this can not be avoided, unit must be left in the upright position for 24 hrs before operating. All units come equipped with pre-determined mounting holes and self starting screws for easy install. (screws are provided only when casters or legs are ordered from factory). It is important to check that casters or legs are securely attached with appropriate mounting hardware.

ELECTRICAL REQUIREMENTS

115 Volt AC, 1 Phase, 60Hz. We recommend using a dedicated 15 amp circuit minimum.

Self-contained units are supplied with 8'-0" grounded cord standard.

Remote units come with a terminal block inside the box for a hard wire connection (supplied by the end user).

**** DO NOT PLUG UNIT INTO A GFI OUTLET ****

PLUMBING

Self-contained units have an evaporating pan and do not require any plumbing hook-up.

Remote units require a drain hook-up. We recommend using 1/2" tubing and running it thru the same knockout used for the refrigeration hook up.

INSTALLING OF SHELVES

Shelves and installation clips are shipped within the cooler inside a separate carton. Shelves can be installed based on owner's preference.

LOCATION

Place unit in desired location and level. It is important for the unit to be level or it will not drain properly and the doors will not close properly, which in turn will affect the function of the cooler and void any factory warranty.

FLOOR SEALING

If required unit can be sealed to floor using a NSF approved clear silicone. Excess sealant should be wiped clean.

Krowne Metal Corporation

100 Haul Rd. Wayne, NJ 07470 • Toll Free: (800) 631-0442 • Fax: (973) 872-1129
sales@krowne.com • www.krowne.com • www.facebook.com/KrowneMetal • www.twitter.com/KrowneMetal



OPERATION AND MAINTENANCE

OPERATING TEMPERATURE

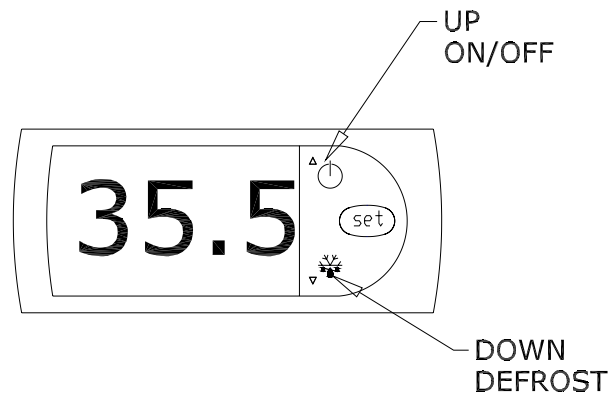
The operating temperature of the self-contained backbar cooler is pre-set at the factory for an average of 35°. Average operating range is from 32° to 40°. Remote units need to be set by a certified refrigeration technician.

Self-Contained units: Digital thermostat can be found on the front condensing unit cover. To set to desired temperature follow the steps below.

1. Press **SET** for 1 second. The set value will start flashing after a few moments
2. Increase or decrease the value using **UP** or **DOWN**
3. Press **SET** to confirm new value

Manual defrost cycle: Press **DOWN** for more than 3 seconds

Remote units: Unit comes equipped with an expansion valve and should be set by service agent.



CLEANING INSTRUCTIONS

Make sure to avoid all products which may corrode the stainless steel such as steel wool and chlorine based bleaches. The cooler should be cleaned with a mild detergent, warm water and a soft cloth. All cleaning materials should be washed away and the cooler completely dried.

Condenser must be cleaned every 60 days or may void warranty. Prior to removing front panel you must shut off the unit (shut off switch located next to digital thermostat). Remove front grill for access to condenser. If the condenser is not cleaned regularly loss of efficiency and ultimately condenser failure may occur.

Doors as well as the interior of the cooler should be cleaned occasionally to prevent buildup of liquids and other matter that may interfere with operation. To clean these surfaces use a mild detergent, warm water and a soft cloth. Dry completely!

Krowne Metal Corporation



SPECIFICATIONS (SELF-CONTAINED)

MODEL NO.	BS36L/R-	BS60L/R-	BS84L/R-	BS108L/R-	NS32L/R-	NS52L/R-	NS72L/R-	NS92L/R-
NO. OF DOORS	1	2	3	4	1	2	3	4
LENGTH	36"	60"	84"	108"	32"	52"	72"	72"
DEPTH	24"	24"	24"	24"	24"	24"	24"	24"
REFRIG. TYPE	134A	134A	134A	134A	134A	134A	134A	134A
CHARGE	10 oz.	12 oz.	15 oz.	20 oz.	10 oz.	12 oz.	12 oz.	15 oz.
DESIGN PRESSURE H/L	235/150	235/150	235/150	480/140	235/150	235/150	235/150	235/150
H.P.	1/5	1/4	1/3	1/3 +	1/5	1/4	1/4	1/3
FULL LOAD AMPS	3.6	6.0	9.0	7.0	3.6	6.0	6.0	9.0
CASE CAPACITY (12 OZ. BOTTLES)	7.0	15.7	24.5	30.0	5.0	12.0	19.0	26.0
WINE BOTTLES (750 ML)	72	168	252	302	60	126	204	282

115V, 1 PHASE, 60 HZ

Krowne Metal Corporation

100 Haul Rd. Wayne, NJ 07470 • Toll Free: (800) 631-0442 • Fax: (973) 872-1129
 sales@krowne.com • www.krowne.com • www.facebook.com/KrowneMetal • www.twitter.com/KrowneMetal



SPECIFICATIONS (REMOTE)

MODEL NO.	BR48L/R-	BR72L/R-	BR96L/R-	NR40L/R-	NR60L/R-	NR80L/R-
NO. OF DOORS	2	3	4	2	3	4
LENGTH	48"	72"	96"	40"	60"	80"
DEPTH	24"	24"	24"	24"	24"	24"
REFRIG. TYPE	134A or 404A	134A or 404A	134A or 404A	134A or 404A	134A or 404A	134A or 404A
FULL LOAD AMPS	1.0	1.5	2.0	1.0	1.5	2.0
CASE CAPACITY (12 OZ. BOTTLES)	14.4	21.9	30.0	11.5	17.8	24.7
WINE BOTTLES (750 ML)	144	224	302	114	176	248

115V, 1 PHASE, 60 HZ

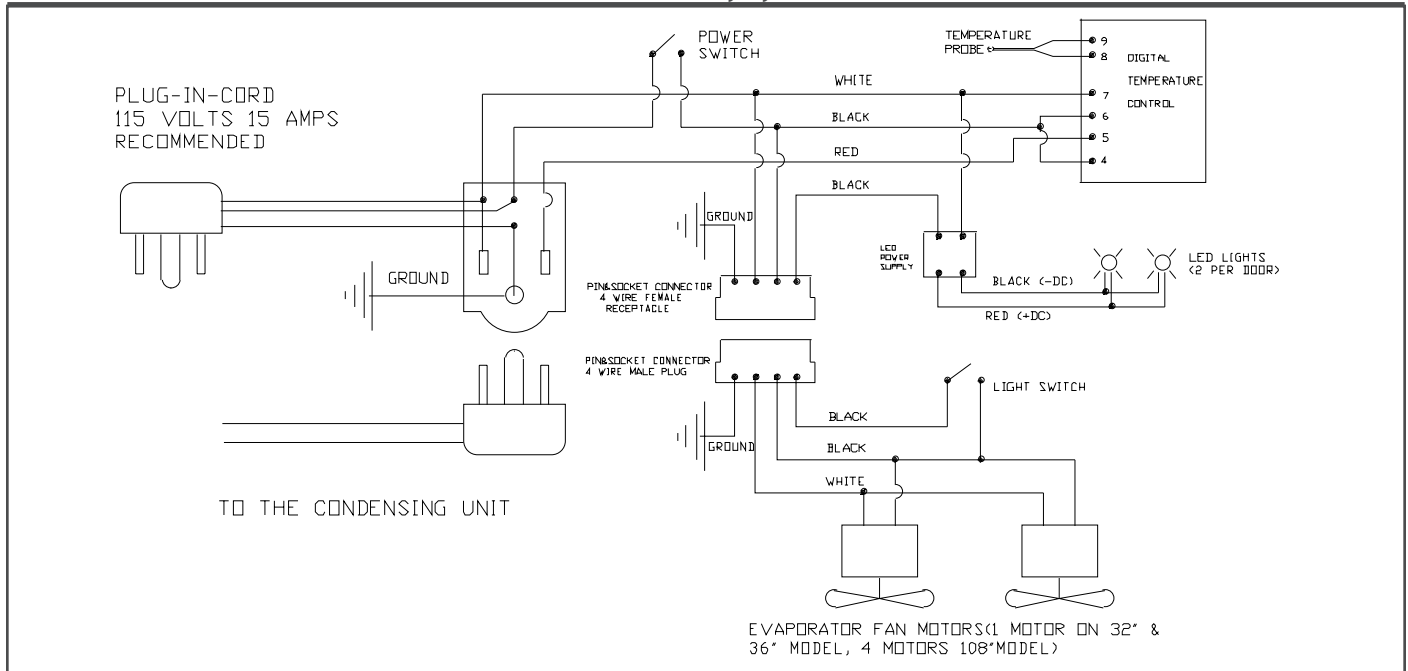
Krowne Metal Corporation

100 Haul Rd. Wayne, NJ 07470 • Toll Free: (800) 631-0442 • Fax: (973) 872-1129
 sales@krowne.com • www.krowne.com • www.facebook.com/KrowneMetal • www.twitter.com/KrowneMetal

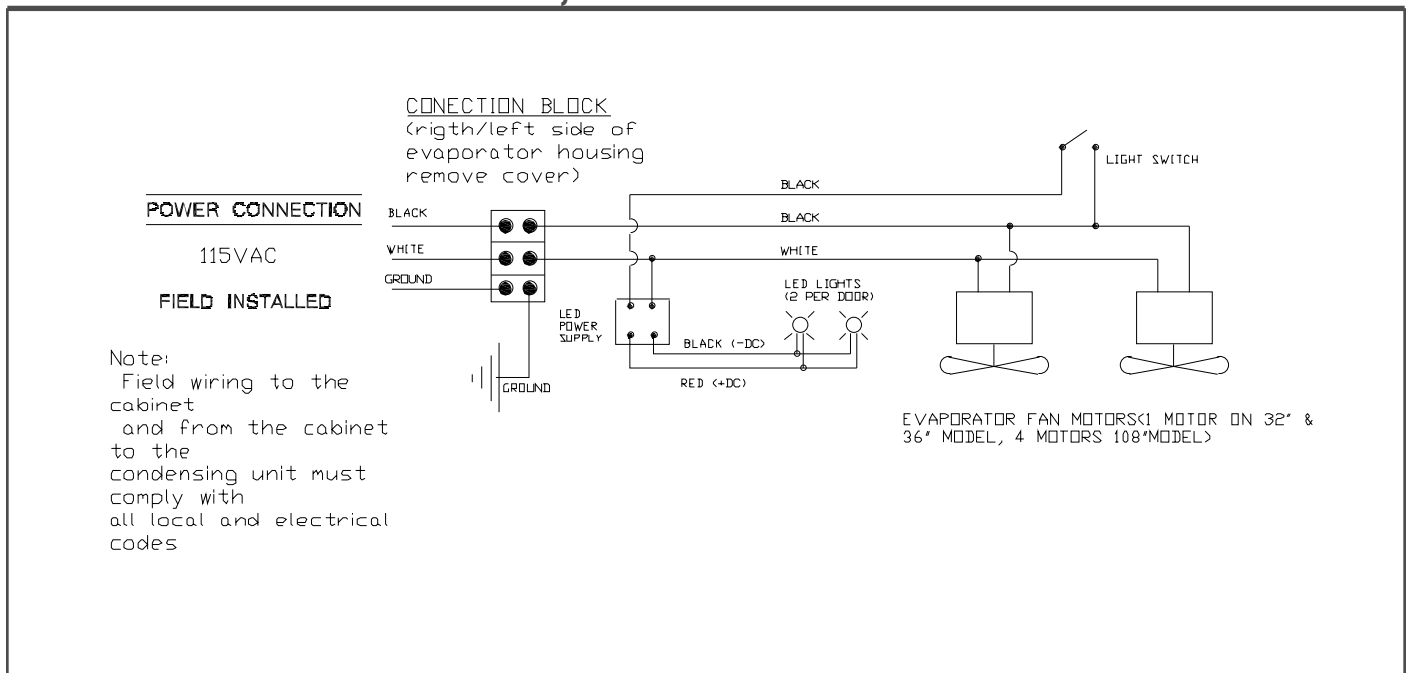


WIRING DIAGRAM

BS and NS SERIES SELF-CONTAINED 1,2,3 and 4 DOOR



BR and NR SERIES REMOTE 2,3 and 4 DOOR

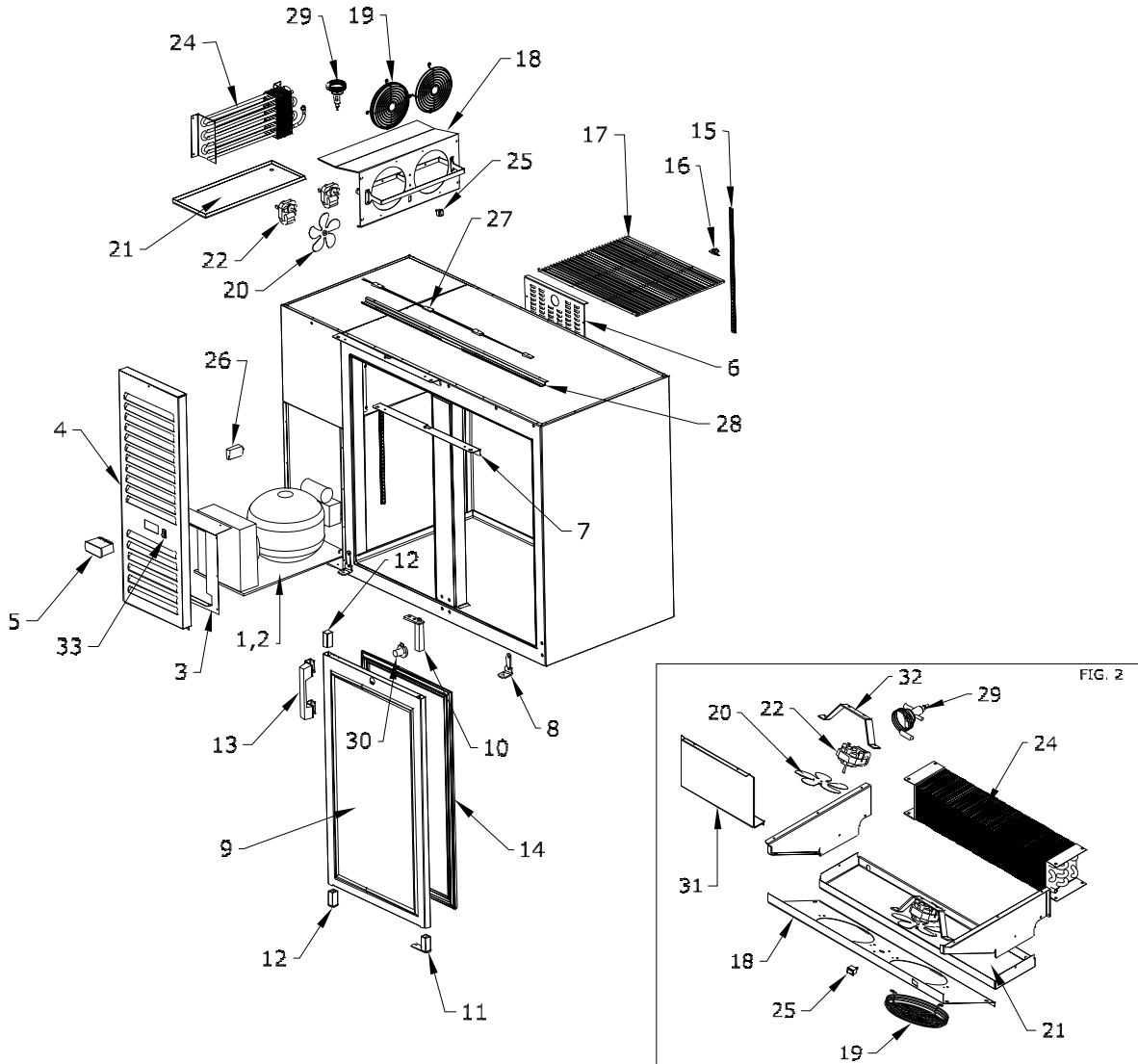


Krowne Metal Corporation

100 Haul Rd. Wayne, NJ 07470 • Toll Free: (800) 631-0442 • Fax: (973) 872-1129
 sales@krowne.com • www.krowne.com • www.facebook.com/KrowneMetal • www.twitter.com/KrowneMetal



PARTS BREAKDOWN



Krowne Metal Corporation

100 Haul Rd. Wayne, NJ 07470 • Toll Free: (800) 631-0442 • Fax: (973) 872-1129
sales@krowne.com • www.krowne.com • www.facebook.com/KrowneMetal • www.twitter.com/KrowneMetal



PARTS BREAKDOWN

COOLER SIZE		BS36L/R	BS60L/R	BS84L/R	BS108L/R
ITEM NO.	DESCRIPTION	PART #			
1A	Condensing Unit 134A (Self-Contained)	BC-720 (1/5)	BC-724 (1/4)	BC-500 (1/3)	BC-732 (1/3+)
2	Compressor Head 134A	BC-721	BC-725	BC-501	BC-733
3	Compressor Frame	1541	1541	1541	1541
4A	Front Grill (Black Vinyl)	1760	1760	1760	1760
4B	Front Grill (Stainless Steel)	1759	1759	1759	1759
5	Thermostat	BC-512	BC-512	BC-512	BC-512
6	Back Grill (Galvanized)	1538	1538	1538	1538
7	Top Door Support Bracket	1575	1575	1575	1575
8	Zinc Plated "L" Bracket	BC-592	BC-592	BC-592	BC-592
9A	Black Vinyl Door	BC-700	BC-700	BC-700	BC-700
9B	Glass Door with Black Vinyl Frame	BC-705	BC-705	BC-705	BC-705
9C	Stainless Steel Door	BC-701	BC-701	BC-701	BC-701
9D	Glass Door with Stainless Steel Frame	BC-706	BC-706	BC-706	BC-706
10	Top Door Hing with Spring	BC-591	BC-591	BC-591	BC-591
11	Bottom Hinge	BC-590	BC-590	BC-590	BC-590
12	Black Cap	BC-593	BC-593	BC-593	BC-593
13	Door Handle	BC-555	BC-555	BC-555	BC-555
14	Door Gasket	BC-552	BC-552	BC-552	BC-552
15	Pilaster (18")	BC-542	BC-542	BC-542	BC-542
16	Pilaster Clip	BC-543	BC-543	BC-543	BC-543
17A	21 5/8" x 18" Shelf (*19 1/2" x 16")	*BC-648	BC-538	BC-538	BC-538
17B	23 5/8" x 18" Shelf	N/A	N/A	BC-539	BC-539
18	Stainless Steel Evaporator Face & Guard	1545	1545	1545	*1968
19	Fan Guard	BC-516	BC-516	BC-516	*BC-516
20	Fan Blade	BC-515	BC-515	BC-515	BC-515
21A	Left Evaporator Housing Pan	1559	1559	1559	*1769
21B	Right Evaporator Housing Pan	1560	1560	1560	*1770
22	Fan Motor	BC-514	BC-514	BC-514	*BC-514
24	Evaporator	BC-505	BC-506	BC-507	*BC-688
25	Light Switch	BC-599	BC-599	BC-599	*BC-599
26	LED Driver	BC-598	BC-598	BC-598	BC-598
27	LED Light	BC-734	BC-735	BC-736	BC-737
28	Light Housing	2152	2157	2160	2163
29	Expansion Valve	BC-520	BC-521	BC-522	*BC-522
30	Door Lock	BC-559	BC-559	BC-559	BC-559
31	Stainless Steel Wire/Pipe Cover	N/A	N/A	N/A	*1980
32	Fan Motor Bracket	N/A	N/A	N/A	*1586

(* = FIG. 2)

Krowne Metal Corporation

100 Haul Rd. Wayne, NJ 07470 • Toll Free: (800) 631-0442 • Fax: (973) 872-1129
 sales@krowne.com • www.krowne.com • www.facebook.com/KrowneMetal • www.twitter.com/KrowneMetal



PARTS BREAKDOWN

COOLER SIZE		NS32L/R	NS52L/R	NS72L/R	NS92L/R
ITEM NO.	DESCRIPTION	PART #			
1A	Condensing Unit 134A (Self-Contained)	BC-720 (1/5)	BC-724 (1/4)	BC-724 (1/4)	BC-500 (1/3)
2	Compressor Head 134A	BC-721	BC-725	BC-725	BC-501
3	Compressor Frame	1541	1541	1541	1541
4A	Front Grill (Black Vinyl)	1760	1760	1760	1760
4B	Front Grill (Stainless Steel)	1759	1759	1759	1759
5	Thermostat	BC-512	BC-512	BC-512	BC-512
6	Back Grill (Galvanized)	1538	1538	1538	1538
7	Top Door Support Bracket	1577	1577	1577	1577
8	Zinc Plated "L" Bracket	BC-592	BC-592	BC-592	BC-592
9A	Black Vinyl Door	BC-694	BC-694	BC-694	BC-694
9B	Glass Door with Black Vinyl Frame	BC-695	BC-695	BC-695	BC-695
9C	Stainless Steel Door	BC-697	BC-697	BC-697	BC-697
9D	Glass Door with Stainless Steel Frame	BC-698	BC-698	BC-698	BC-698
10	Top Door Hing with Spring	BC-591	BC-591	BC-591	BC-591
11	Bottom Hinge	BC-590	BC-590	BC-590	BC-590
12	Black Cap	BC-593	BC-593	BC-593	BC-593
13	Door Handle	BC-555	BC-555	BC-555	BC-555
14	Door Gasket	BC-693	BC-693	BC-693	BC-693
15	Pilaster (18")	BC-542	BC-542	BC-542	BC-542
16	Pilaster Clip	BC-543	BC-543	BC-543	BC-543
17A	17 5/8" x 18" Shelf	BC-739	BC-740	BC-740	BC-740
17B	19 5/8" x 18" Shelf	N/A	N/A	BC-741	BC-741
18	Stainless Steel Evaporator Face & Guard	1545	1545	1545	1545
19	Fan Guard	BC-516	BC-516	BC-516	BC-516
20	Fan Blade	BC-515	BC-515	BC-515	BC-515
21A	Left Evaporator Housing Pan	1559	1559	1559	1559
21B	Right Evaporator Housing Pan	1560	1560	1560	1560
22	Fan Motor	BC-514	BC-514	BC-514	*BC-514
24	Evaporator	BC-679	BC-679	BC-679	BC-679
25	Light Switch	BC-599	BC-599	BC-599	BC-599
26	LED Driver	BC-598	BC-598	BC-598	BC-598
27	LED Light	BC-734	BC-735	BC-736	BC-737
28	Light Housing	2150	2155	2159	2162
29	Expansion Valve	BC-520	BC-521	BC-521	BC-522
30	Door Lock	BC-559	BC-559	BC-559	BC-559



PARTS BREAKDOWN

COOLER SIZE		BR48L/R	BR72L/R	BR96L/R	NR40L/R	NR60L/R	NR80L/R
ITEM NO.	DESCRIPTION	PART #					
7	Top Door Support Bracket	1575	1575	1575	1577	1577	1577
8	Zinc Plated "L" Bracket	BC-592	BC-592	BC-592	BC-592	BC-592	BC-592
9A	Black Vinyl Door	BC-700	BC-700	BC-700	BC-694	BC-694	BC-694
9B	Glass Door with Black Vinyl Frame	BC-705	BC-705	BC-705	BC-695	BC-695	BC-695
9C	Stainless Steel Door	BC-701	BC-701	BC-701	BC-697	BC-697	BC-697
9D	Glass Door with Stainless Steel Frame	BC-706	BC-706	BC-706	BC-698	BC-698	BC-698
10	Top Door Hing with Spring	BC-591	BC-591	BC-591	BC-591	BC-591	BC-591
11	Bottom Hinge	BC-590	BC-590	BC-590	BC-590	BC-590	BC-590
12	Black Cap	BC-593	BC-593	BC-593	BC-593	BC-593	BC-593
13	Door Handle	BC-555	BC-555	BC-555	BC-555	BC-555	BC-555
14	Door Gasket	BC-552	BC-552	BC-552	BC-593	BC-593	BC-593
15	Pilaster (18")	BC-542	BC-542	BC-542	BC-542	BC-542	BC-542
16	Pilaster Clip	BC-543	BC-543	BC-543	BC-543	BC-543	BC-543
17A	21 5/8" x 18" Shelf (*17 5/8" x 18")	BC-538	BC-538	BC-538	*BC-740	*BC-740	*BC-740
17B	23 5/8" x 18" Shelf (*19 5/8" x 18")	N/A	BC-539	BC-539	N/A	*BC-741	*BC-741
18	Stainless Steel Evaporator Face & Guard	1776	1768	1968	1776	1768	1968
19	Fan Guard	BC-516	BC-516	BC-516	BC-516	BC-516	BC-516
20	Fan Blade	BC-515	BC-515	BC-515	BC-515	BC-515	BC-515
21A	Left Evaporator Housing Pan	1779	1769	1969	1774	1769	1969
21B	Right Evaporator Housing Pan	1773	1770	1970	1773	1770	1970
22	Fan Motor	BC-514	BC-514	BC-514	BC-514	BC-514	BC-514
24	Evaporator	BC-505	BC-506	BC-680	BC-505	BC-506	BC-680
25	Light Switch	BC-599	BC-599	BC-599	BC-599	BC-599	BC-599
26	LED Driver	BC-598	BC-598	BC-598	BC-598	BC-598	BC-598
27	LED Light	BC-735	BC-736	BC-737	BC-735	BC-736	BC-737
28	Light Housing	2157	2160	2163	2155	2159	2162
29	Expansion Valve	BC-687	BC-689	BC-690	BC-687	BC-689	BC-690
30	Door Lock	BC-559	BC-559	BC-559	BC-559	BC-559	BC-559
31	Stainless Steel Wire/Pipe Cover	1580	1780	1980	1580	1780	1980
32	Fan Motor Bracket	1586	1586	1586	1586	1586	1586



FREQUENTLY ASKED QUESTIONS

1. Why is my cooler not turning on?

- A. Make sure unit is plugged in.
- B. Make sure unit is not plugged into a GFI receptacle.
- C. Check to see if circuit breaker is off.

2. Why was my cooler working but now has shut off?

- A. Check to see if circuit breaker is off.
- B. Make sure unit is not plugged into a GFI receptacle.

3. Why is my cooler running (compressor noise) but not getting cold?

- A. Make sure condenser is clean. Remove front grill to inspect.
- B. Check that there is adequate air flow. DO NOT RESTRICT AIRFLOW.
- C. Check to see if evaporator is frozen. If so, unit will need to be unplugged to defrost for up to 24 hours.
- D. Check interior of unit. Make sure evaporator is clear. Do not load cooler fully to top. This will restrict airflow.
- E. Make sure unit is level and doors are properly closed. If doors are not properly shut, compressor will continue to run and evaporator will freeze.

***** WARNING *****

**ALL SERVICE SHOULD BE PERFORMED BY A
CERTIFIED REFRIGERATION TECHNICIAN**

Krowne Metal Corporation

100 Haul Rd. Wayne, NJ 07470 • Toll Free: (800) 631-0442 • Fax: (973) 872-1129
sales@krowne.com • www.krowne.com • www.facebook.com/KrowneMetal • www.twitter.com/KrowneMetal

13



WARRANTY REGISTRATION FORM

PLEASE CHECK THE TYPE OF UNIT YOU HAVE:

BACK BAR COOLER

SLIDE TOP BOTTLE COOLER

MUG FROSTER

MODEL NO.: _____ SERIAL NO.: _____ INSTALL DATE: _____

NAME OF ESTABLISHMENT: _____ PHONE NO.: _____

ADDRESS: _____ CITY/STATE: _____ ZIP: _____

DEALER NAME: _____ CITY/STATE: _____

**PLEASE FAX TO (973) 872-1129 TO
COMPLETE REGISTRATION**

**YOU CAN ALSO REGISTER YOUR WARRANTY ONLINE
AT WWW.KROWNE.COM/WARRANTY**

Krowne Metal Corporation

100 Haul Rd. Wayne, NJ 07470 • Toll Free: (800) 631-0442 • Fax: (973) 872-1129
sales@krowne.com • www.krowne.com • www.facebook.com/KrowneMetal • www.twitter.com/KrowneMetal