

Model: _____ Item #: _____ Date: _____

Project: _____ Qty: _____ Approved By: _____



BR48L-BSB-LR Shown with optional 1" Top and Kick Plates
Available in 48", 72", and 96"

Standard Features

Electrical

- 115 V, 60 Hz. Furnished with a terminal block inside the box for a hard wire connection (supplied by the end user)
- Dedicated 15 amp circuit recommended
- 2 Door Model: 1.0 Full Load Amp
- 3 Door Model: 1.5 Full Load Amp
- 4 Door Model: 2.0 Full Load Amp

Refrigeration

- 134A expansion valve installed (standard). Optional 404 expansion valve available. Thermostat not included.
- IMPORTANT: Specify left or right side hook-up

Operating Range

- 30°F - 40°F

Case Capacity	48"	72"	96"
▪ Long Neck Bottles:	11.5	20	30
▪ 12 oz. Cans:	20	34	40
▪ Wine Bottles (each):	106	170	300

Interior

- 20 gauge stainless steel
- Two adjustable epoxy coated shelves with floor rack
- Door Opening: 29-11/16"H x 19-15/16"W

Exterior

- Sides: 20 gauge stainless steel or blank vinyl
- Front: 20 gauge stainless steel, blank vinyl, or glass
- Back: 20 gauge galvanized steel
- Top: 20 gauge galvanized steel with option of stainless steel

Insulation

- Foamed-in-place polyurethane

Plumbing

- 1/2" drain connection required for condensation. Drain line connection will be on the same side as the refrigeration line location selected. A 100 V Condensate Evaporator pan may be used in place of a drain line but it is important to make sure you have a good location for it. Please consult with your refrigeration installation company and check local codes.

Optional Accessories

BC-100	Four 6" Stainless Steel Legs
BC-101*	Six 6" Stainless Steel Legs
BC-102	Four 4" Stainless Steel Legs
BC-103*	Six 4" Stainless Steel Legs
BC-106	Left Side Stainless Steel Kick Plate
BC-107	Right Side Stainless Steel Kick Plate
BC-130	Four 1" Ultra Low Profile Casters w/ Brakes
BC-131*	Six 1" Ultra Low Profile Casters w/ Brakes
BC-132	Four 2" Low Profile Casters w/ Brakes
BC-133*	Six 2" Low Profile Casters w/ Brakes
BC-134	Four 3" Casters with Brakes
BC-135*	Six 3" Casters with Brakes
BC-148	48" Stainless Steel Front Kick Plate
BC-172	72" Stainless Steel Front Kick Plate
BC-196	96" Stainless Steel Front Kick Plate
BS-600	110V Solenoid Valve + Thermostat, Installed
BC-500	1/3 HP Condensing Unit (134A Refrigerant)

* Accessory applies to 72" and 96" models

Notes

* This equipment is intended for the storage and display of non-potentially-hazardous bottle or canned products only *

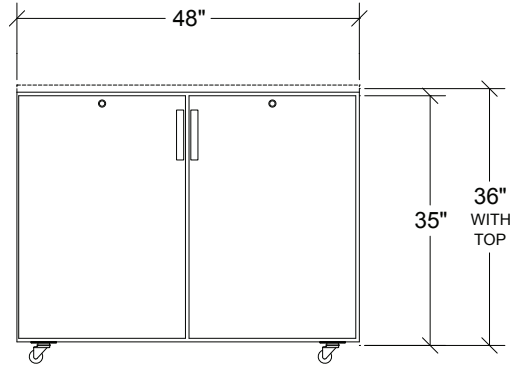
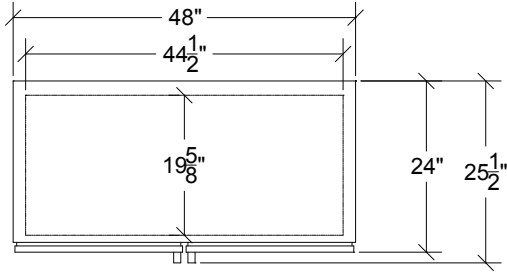


Model: _____ Item #: _____ Date: _____

Project: _____ Qty: _____ Approved By: _____

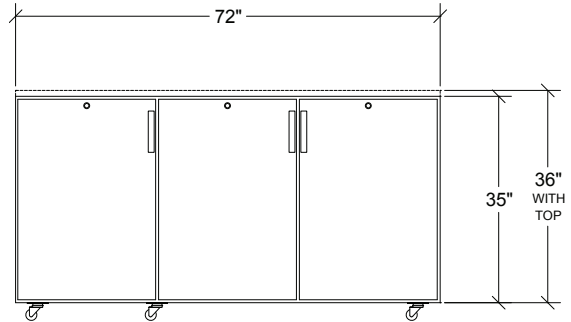
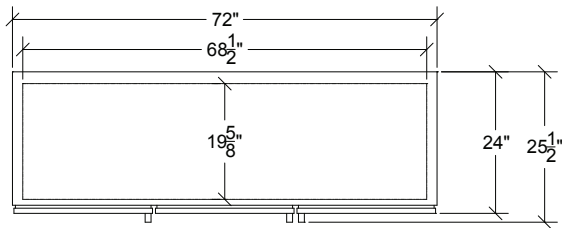
Two Door (48")

280 lbs. (300 lbs. with top)



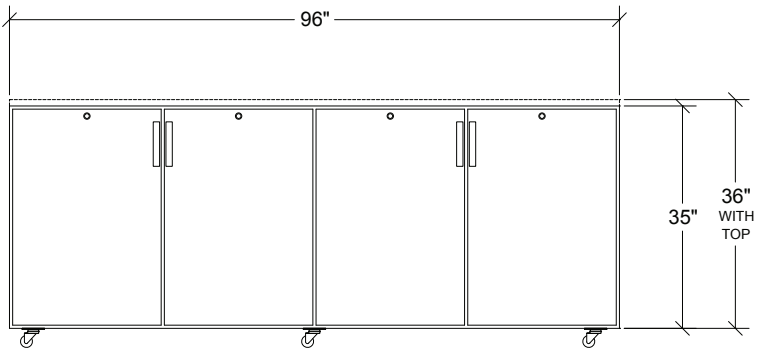
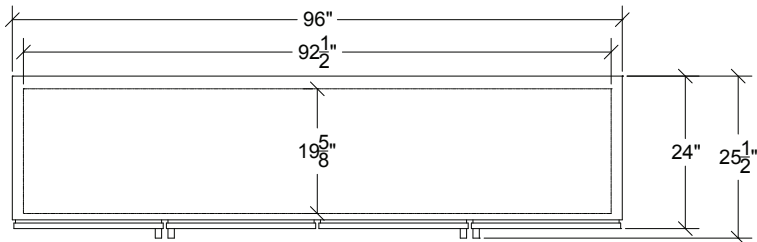
Three Door (72")

395 lbs. (420 lbs. with top)



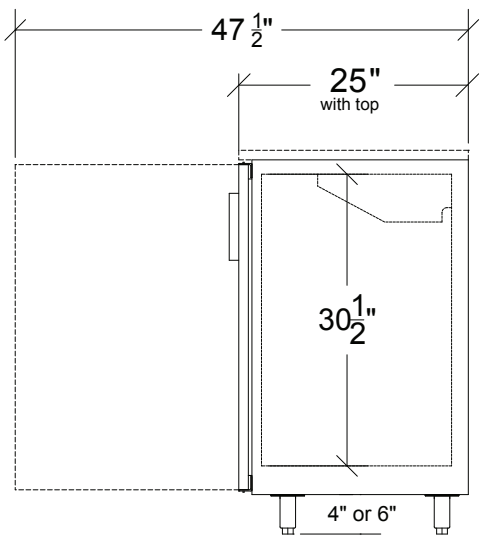
Four Door (96")

445 lbs. (500 lbs. with top)



Side View

All Models



Note: Optional casters raise height 1" higher than wheel size.

Note: Optional 4" or 6" legs available