



MUG FROSTERS

SLIDE TOP & FRONT DOOR

INSTALLATION AND OPERATION INSTRUCTION MANUAL



**SLIDE TOP
MODEL SERIES**

MC24__

MC36__

MC48__



**FRONT DOOR
MODEL SERIES**

FMC24-__ -__





“WE RAISE THE BAR”

TABLE OF CONTENTS

WARRANTY INFORMATION	3
INSTALLATION	4
OPERATION & MAINTENANCE	5
SPECIFICATIONS	6
WIRING DIAGRAM	7
PARTS BREAKDOWN	8,9
FREQUENTLY ASKED QUESTIONS	10

***** IMPORTANT *****

**CONDENSER MUST BE CLEANED
EVERY 60 DAYS OR MAY VOID WARRANTY**

***** IMPORTANT *****

**WARRANTY WORK MUST BE AUTHORIZED BY
FACTORY PRIOR TO SERVICE BEING DONE**

***** IMPORTANT *****

COOLER MUST BE LEVEL TO OPERATE PROPERLY

** This equipment is not intended for storage or display of food or beverages **

Krowne Metal Corporation

100 Haul Rd. Wayne, NJ 07470 • Toll Free: (800) 631-0442 • Fax: (973) 872-1129
sales@krowne.com • www.krowne.com • www.facebook.com/KrowneMetal • www.twitter.com/KrowneMetal



WARRANTY INFORMATION

All Krowne Metal Corporation (KMC) refrigeration products are warranted to be free of defects in material and workmanship within one year of factory ship date.

WARRANTY FORM

A warranty form is included with this manual and must be completed and faxed to KMC at (973) 872-1129. Registration must be complete within 2 weeks of install. Failure to do so may void labor warranty.

ONE YEAR PARTS & LABOR WARRANTY

PARTS WARRANTY: Any part found defective under normal use within one year of factory ship date will be replaced by KMC. Warranty is void in the absence of proper maintenance, operation and authorized service. Warranty is also void on units that have been damaged in freight, field altered, lack of proper electrical requirements, fire, flood or natural disaster.

REPLACEMENT PARTS: Must be returned to KMC prepaid. Credit will be issued upon return and inspection of defective part.

LABOR WARRANTY: Labor service **MUST** be approved by KMC before work is done. If authorization is not obtained warranty is void. KMC is not responsible for any loss of product or sales during that time. Any additional costs due to after hour services or excessive travel time (more than an hour) will be incurred by end user. Labor warranty covers all 50 states.

5 YEAR COMPRESSOR WARRANTY

Compressor is covered by a 5 year replacement warranty and a one year labor warranty from the original factory ship date.



INSTALLATION

At Krowne Metal Corporation (KMC) we are dedicated to customer satisfaction. This installation guide is provided to clarify and answer any questions you may have regarding our line of Mug Frosters. Please read this guide before attempting installation or operation. Thank you for choosing KMC as your Mug Froster provider.

UNCRATING

Remove all shipping material from unit before operation. Please inspect unit for any hidden freight damage and report any damage immediately to Krowne Metal Corp. If included, install optional casters or legs to bottom of unit. Please avoid turning unit on it's side or rear to install accessories. If this can not be avoided, unit must be left in the upright position for 24 hrs before operating. All units come equipped with pre-determined mounting holes and self starting screws for easy install. (screws are provided only when casters or legs are ordered from factory). It is important to check that casters or legs are securely attached with appropriate mounting hardware.

ELECTRICAL REQUIREMENTS

115 Volt AC, 1 Phase, 60Hz. We recommend using a dedicated 15 amp circuit minimum. 8'-0" grounded cord standard. **** DO NOT PLUG UNIT INTO A GFI OUTLET ****

PLUMBING

All units have an evaporating pan and do not require any plumbing hook-up.

INSTALLING OF SHELVES

Shelves can be installed based on owner's preference.

LOCATION

Place unit in desired location and level. Allow 2" clearance on left side or at rear of unit for proper air flow (both recommended). **DO NOT BLOCK OR OBSTRUCT FRONT GRILL.**

FLOOR SEALING

If required, unit can be sealed to floor using a NSF approved clear silicone. Excess sealant should be wiped clean.



OPERATION AND MAINTENANCE

OPERATING TEMPERATURE

The operating temperature of the Mug Froster is pre-set at the factory for an average of 0°. Average operating range is from -5° to 5°.

LOADING

Units can be filled with mugs, glasses or plates which should be dry and at room temperature. Allow 25-30 minutes for proper cleaning.

DEFROSTING

Automatic defrost is standard on all KMC mug frosters. Auto defrost will occur every 4 hours for approximately 20 minutes. **NOTE:** Fans inside the unit will turn off during this cycle.

If evaporator coil freezes up and a manual defrost is needed, press the DOWN button for more than 3 seconds until DEF is displayed on the thermostat screen.

An automatic fullbox defrost will be performed every day from 5 AM to 9 AM.



CLEANING INSTRUCTIONS

Make sure to avoid all products which may corrode the stainless steel such as steel wool and chlorine based bleaches. The cooler should be cleaned with a mild detergent, warm water and a soft cloth. All cleaning materials should be washed away and the cooler completely dried.

Condenser must be cleaned every 60 days or may void warranty. Remove front grill for access to condenser. If the condenser is not cleaned regularly loss of efficiency and ultimately condenser failure may occur.

Doors, door gaskets and exterior should be cleaned daily to prevent buildup of liquids and other matter that may interfere with operation. Interior of unit should be cleaned regularly. To clean these surfaces use a mild detergent, warm water and a soft cloth. Dry completely!

Krowne Metal Corporation

100 Haul Rd. Wayne, NJ 07470 • Toll Free: (800) 631-0442 • Fax: (973) 872-1129
sales@krowne.com • www.krowne.com • www.facebook.com/KrowneMetal • www.twitter.com/KrowneMetal



SPECIFICATIONS

MODEL NO.	MC24	MC36	MC48	FMC24
NO. OF DOORS	1	1	2	1
LENGTH	24"	36"	48"	24"
DEPTH	24"	24"	24"	24"
REFRIG. TYPE	404	404	404	404
CHARGE	7.5 oz.	7.5 oz.	7.5 oz.	7.5 oz.
DESIGN PRESSURE H/L	440/140	440/140	440/140	440/140
H.P.	1/3	1/3	1/3	1/3
FULL LOAD AMPS	5.2	5.3	5.5	5.2
WEIGHT (LBS.)	160	200	240	220

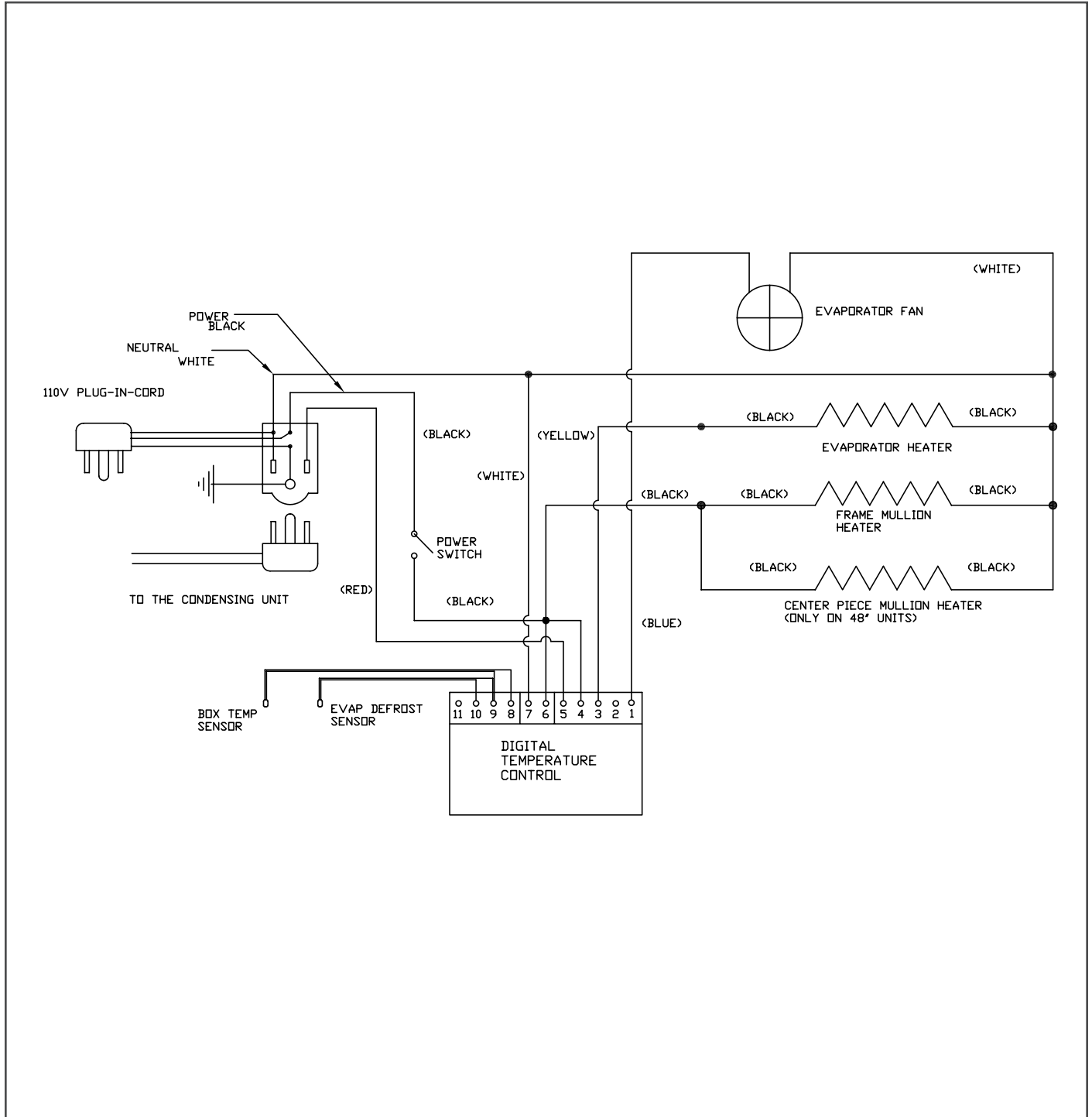
115V, 1 PHASE, 60 HZ

Krowne Metal Corporation

100 Haul Rd. Wayne, NJ 07470 • Toll Free: (800) 631-0442 • Fax: (973) 872-1129
sales@krowne.com • www.krowne.com • www.facebook.com/KrowneMetal • www.twitter.com/KrowneMetal



WIRING DIAGRAM

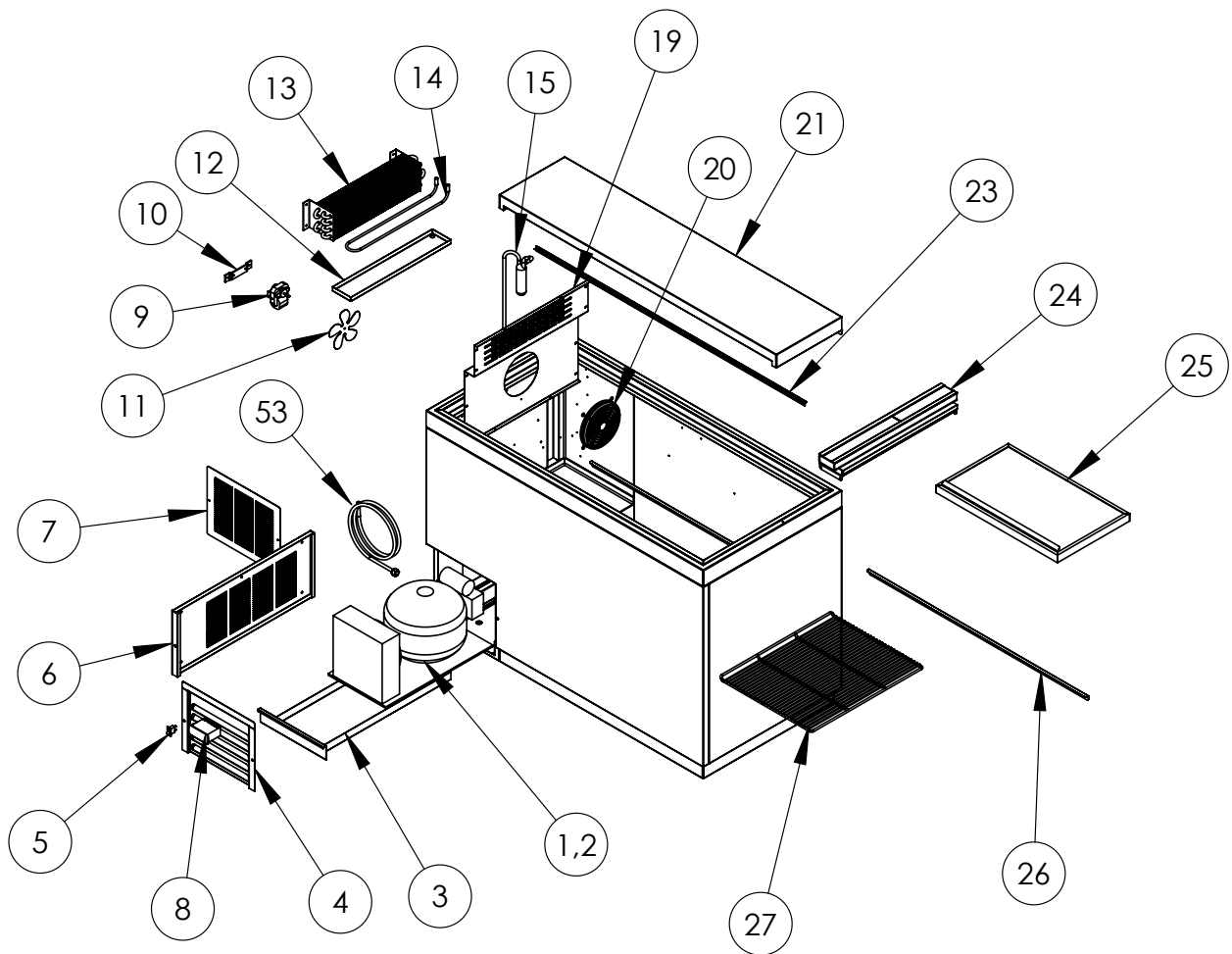


Krowne Metal Corporation

100 Haul Rd. Wayne, NJ 07470 • Toll Free: (800) 631-0442 • Fax: (973) 872-1129
sales@krowne.com • www.krowne.com • www.facebook.com/KrowneMetal • www.twitter.com/KrowneMetal



PARTS BREAKDOWN



Krowne Metal Corporation

100 Haul Rd. Wayne, NJ 07470 • Toll Free: (800) 631-0442 • Fax: (973) 872-1129
sales@krowne.com • www.krowne.com • www.facebook.com/KrowneMetal • www.twitter.com/KrowneMetal



PARTS BREAKDOWN

FROSTER SIZE		MC24	MC36	MC48	FMC24
ITEM NO.	DESCRIPTION	PART #			
1	Condensing Unit 404	BC-640	BC-640	BC-640	BC-640
2	Compressor Head	BC-641	BC-641	BC-641	BC-641
3	Condensate Pan	2012	1403	1403	2012
4	Front Grill (Stainless Steel)	2009	2106	2106	2009
5	Power Switch	BC-596	BC-596	BC-596	BC-596
6	Side Grill (Stainless Steel)	2009	1441	1441	2009
7	Back Grill (Galvanized)	2001	1412	1412	2001
8	Digital Thermostat	BC-509	BC-509	BC-509	BC-509
9	Fan Motor	BC-514	BC-514	BC-514	BC-514
10	Fan Motor Bracket	1469	1469	1469	1469
11	Fan Blade	BC-515	BC-515	BC-515	BC-515
12	Evaporator Pan	2024	2024	2024	2024
13	Evaporator	BC-630	BC-630	BC-630	BC-630
14	Evaporator Defrost Heater	BC-655	BC-655	BC-655	BC-655
15	Accumulator Assembly	BC-669	BC-669	BC-669	BC-669
18	Coil Assembly	BC-670	BC-670	BC-670	BC-670
19	Evaporator Cover (Stainless Steel)	2022	2117	2117	2058
20	Fan Guard	BC-516	BC-516	BC-516	BC-516
21	Hood	2042	2102	1467	N/A
23	Hood Wiper Gasket	BC-608	BC-609	BC-610	N/A
24	Stainless Steel Center Post	N/A	N/A	1411	N/A
25	Door	BC-711	BC-713	BC-711	BC-715
26	Short Shelf Bracket	2045	2111	2130	2045
26A	Long Shelf Bracket	N/A	2110	2129	N/A
27	8" x 19 3/4" Shelf	BC-647	BC-647	N/A	N/A
27A	12" x 19 3/4" Shelf	N/A	BC-649	BC-649	N/A
27B	16" x 19 3/4" Shelf	N/A	BC-650	BC-650	BC-650
27C	19 1/4" x 19 3/4" Shelf	BC-648	BC-648	BC-648	BC-648

Krowne Metal Corporation

100 Haul Rd. Wayne, NJ 07470 • Toll Free: (800) 631-0442 • Fax: (973) 872-1129
 sales@krowne.com • www.krowne.com • www.facebook.com/KrowneMetal • www.twitter.com/KrowneMetal



FREQUENTLY ASKED QUESTIONS

1. Why is my froster not turning on?

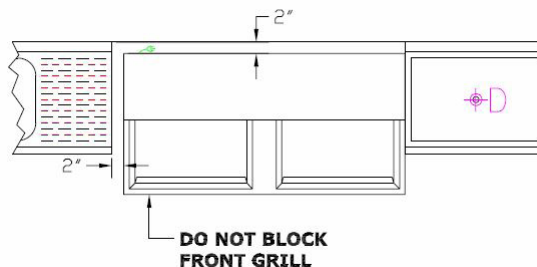
- A. Make sure unit is plugged in.
- B. Make sure unit is not plugged into a GFI receptacle.
- C. Check to see if circuit breaker is off.

2. Why was my froster working but now has shut off?

- A. Check to see if circuit breaker is off.
- B. Make sure unit is not plugged into a GFI receptacle.

3. Why is my froster running (compressor noise) but not getting cold?

- A. Make sure condenser is clean. Remove front grill to inspect.
- B. Check that there is adequate air flow. DO NOT RESTRICT AIRFLOW AT REAR, LEFT AND FRONT. (see diagram below)
- C. Check to see if evaporator is frozen. If so, push Manual Defrost Button located on front of unit.
- D. Check interior of unit. Make sure evaporator is clear. Do not load froster fully to top. This will restrict airflow.



*** WARNING ***

ALL SERVICE SHOULD BE PERFORMED BY A
CERTIFIED REFRIGERATION TECHNICIAN

Krowne Metal Corporation

100 Haul Rd. Wayne, NJ 07470 • Toll Free: (800) 631-0442 • Fax: (973) 872-1129
sales@krowne.com • www.krowne.com • www.facebook.com/KrowneMetal • www.twitter.com/KrowneMetal

10



WARRANTY REGISTRATION FORM

PLEASE CHECK THE TYPE OF UNIT YOU HAVE:

BACK BAR COOLER

SLIDE TOP BOTTLE COOLER

MUG FROSTER

MODEL NO.: _____ SERIAL NO.: _____ INSTALL DATE: _____

NAME OF ESTABLISHMENT: _____ PHONE NO.: _____

ADDRESS: _____ CITY/STATE: _____ ZIP: _____

DEALER NAME: _____ CITY/STATE: _____

**PLEASE FAX TO (973) 872-1129 TO
COMPLETE REGISTRATION**

**YOU CAN ALSO REGISTER YOUR WARRANTY ONLINE
AT WWW.KROWNE.COM/WARRANTY**

Krowne Metal Corporation

100 Haul Rd. Wayne, NJ 07470 • Toll Free: (800) 631-0442 • Fax: (973) 872-1129
sales@krowne.com • www.krowne.com • www.facebook.com/KrowneMetal • www.twitter.com/KrowneMetal