

MODEL: \_\_\_\_\_ PROJECT: \_\_\_\_\_ ITEM #: \_\_\_\_\_ QTY: \_\_\_\_\_

### PRODUCT IMAGE



MC24S SHOWN

**AVAILABLE IN 24", 36" & 48" SIZES**

### OPTIONAL ACCESSORIES

- **MC-108** Four 3" Casters with brakes

### STANDARD FEATURES

- **Electrical**  
115 V, 1 Phase, 60 Hz. Furnished with 8'-0" plug-in cord. NEMA 5-15P Plug Configuration. Dedicated 15 Amp circuit recommended
- **Refrigeration**  
1/3 HP, 404 refrigerant
- **Running Load (Amps)**  
24" Unit: 5.2 Amps  
36" Unit: 5.3 Amps  
48" Unit: 5.5 Amps
- **Operating Range**  
-5°F to 10°F
- **Plumbing**  
No drain connection required  
Condensate evaporates automatically
- **Insulation**  
2" thick foamed-in-place polyurethane
- **Mug Capacity (10 oz.)**  
24" Unit: 95  
36" Unit: 165  
48" Unit: 240
- All stainless interior with coved corners
- Self-contained refrigeration
- Available with black vinyl or stainless steel exterior
- -5°F to 5°F temperature range with digital thermostat set to 0°F
- Automatic defrost timer every 4 hours (Pushbutton manual mode also available)
- Floor rack and two levels of shelves
- Heavy-duty doors
- Easy to service
- 5 year compressor warranty
- **IMPORTANT NOTE:**  
**DO NOT PLUG INTO GFI OUTLET**

*\* This equipment is not intended for storage or display of food or beverages \**



**CERTIFICATIONS:**

**APPROVED BY:**

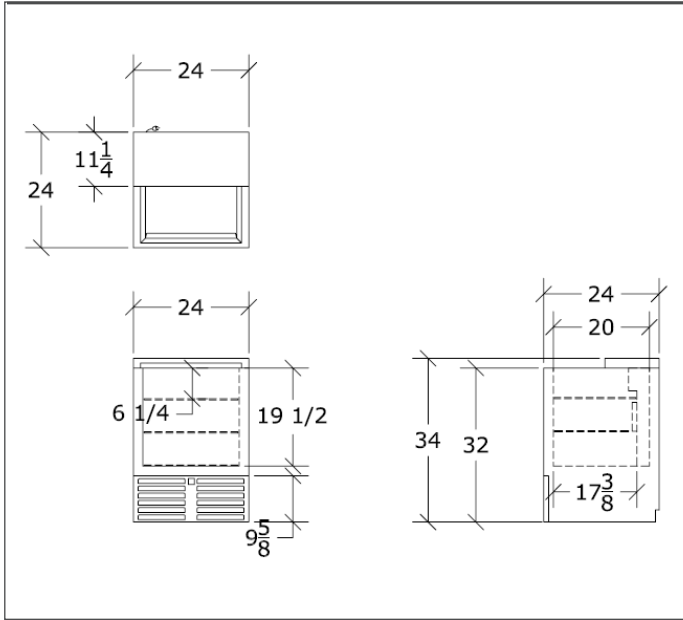
Due to our commitment to continued product improvement, specifications are subject to change without notice.

# REFRIGERATION

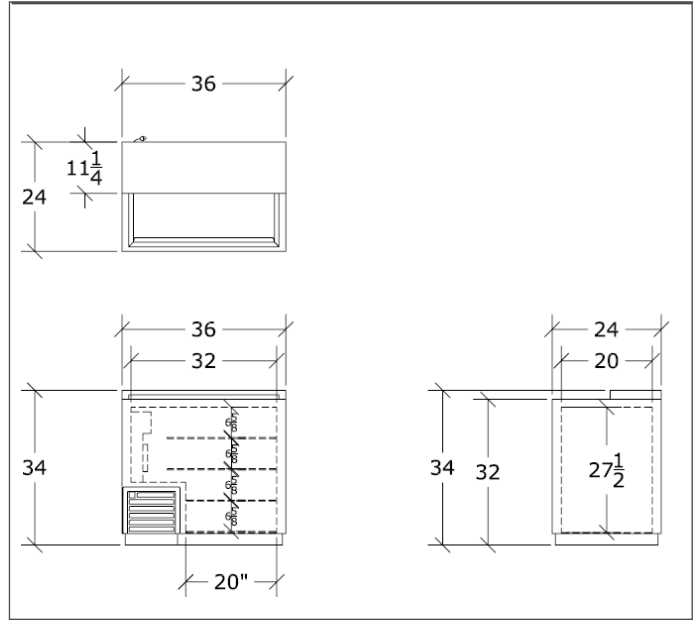
## SLIDE TOP MUG FROSTERS

MODEL: \_\_\_\_\_ PROJECT: \_\_\_\_\_ ITEM #: \_\_\_\_\_ QTY: \_\_\_\_\_

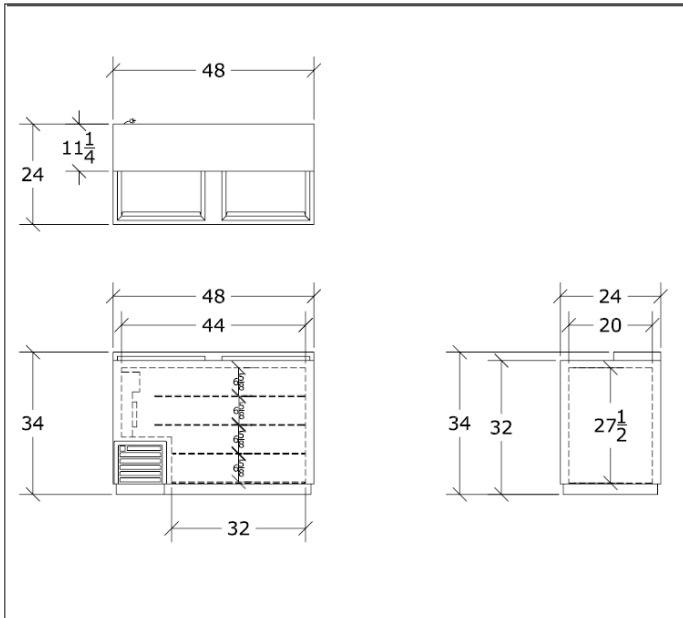
### 24" MODEL



### 36" MODEL



### 48" MODEL



Model Numbers	Overall Length	Exterior Finish	Doors	Layers	Mug Capacity (10 oz.)	Weight (lbs.)
MC24B	2'-0"	Black Vinyl	1	2	95	160
MC36B	3'-0"	Black Vinyl	1	2*	165	200
MC48B	4'-0"	Black Vinyl	2	2*	240	260
MC24S	2'-0"	Stainless Steel	1	2	95	160
MC36S	3'-0"	Stainless Steel	1	2*	165	200
MC48S	4'-0"	Stainless Steel	2	2*	240	260

**NOTE:** Units come standard with 2 layers of shelves.  
Optional third level available for 36" and 48" models

**Castors:** Add 3" to overall height



**APPROVED BY:**

**CERTIFICATIONS:**

Due to our commitment to continued product improvement, specifications are subject to change without notice.