



Model: _____ Item #: _____ Date: _____
 Project: _____ Qty: _____ Approved By: _____

Self-Contained Narrow Door Back Bar Coolers

Refrigeration



NS72L-GSB-LRR Shown

Available in 52" two door models & 72" three door models

Optional 1" top and kick plates

Standard Features

Electrical

115 V, 1 Phase, 60 Hz. Furnished with 8'-0" plug-in cord, which exits left rear of cooler. NEMA 5-15P Plug Configuration.

Dedicated 15 Amp circuit recommended

2 Door Model: 6.0 Full Load Amps, 1/4 HP

3 Door Model: 6.0 Full Load Amps, 1/4 HP

Refrigeration

Self-contained 1/4 HP 134A Refrigerant. 30°F-40°F operating range Digital Thermostat on front grille.

Case Capacity	52"	72"
Long Neck Bottles:	12	19
Wine Bottles (750mL):	126	204

Interior

20 gauge stainless steel with coved corners. Two adjustable epoxy coated wire shelves with floor rack per door.

Exterior

Sides: 20 gauge stainless steel or black vinyl

Front: 20 gauge stainless steel, black vinyl or glass

Back: 20 gauge galvanized steel

Top: 20 gauge galvanized steel with option of stainless steel

Insulation

2" thick foamed-in-place polyurethane

Plumbing

No drain connection required.

Condensate evaporator pan included.

Optional Accessories

Model	Description
BS-100	Four 6" Stainless Steel Legs
BS-101	Six 6" Stainless Steel Legs (72" model)
BS-102	Four 4" Stainless Steel Legs
BS-103	Six 6" Stainless Steel Legs (72" model)
BS-106	Left Side Stainless Steel Kick Plate
BS-107	Right Side Stainless Steel Kick Plate
BS-130	Four 1" Ultra Low Profile Casters with Brakes
BS-131	Six 1" Ultra Low Profile Casters with Brakes (72" model)
BS-132	Four 2" Low Profile Casters with Brakes
BS-133	Six 2" Low Profile Casters with Brakes (72" model)
BS-134	Four 3" Casters with Brakes
BS-135	Six 3" Casters with Brakes (72" model)
BS-152	52" Stainless Steel Front Kick Plate
BS-172	72" Stainless Steel Front Kick Plate

Note

This equipment is intended for the storage and display of non potentially-hazardous bottle or canned products only.





Model: _____ Item #: _____ Date: _____

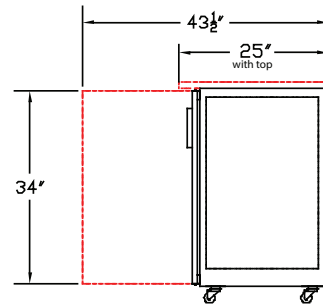
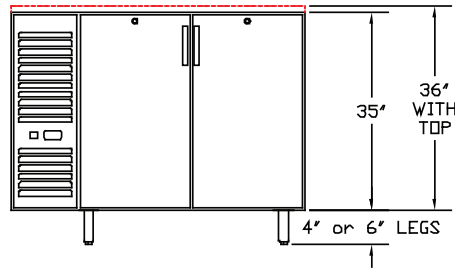
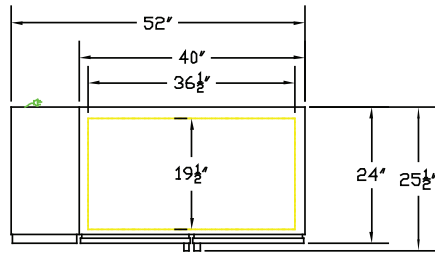
Project: _____ Qty: _____ Approved By: _____

Self-Contained Narrow Door Back Bar Coolers

Refrigeration

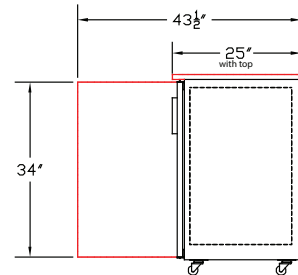
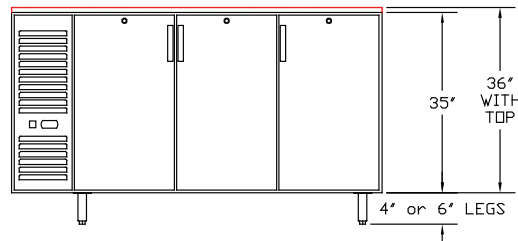
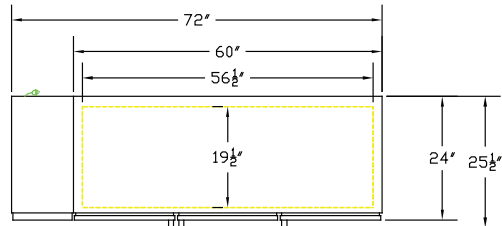
Two door (52")

300 lbs.
330 lbs. with Top



Three door (72")

420 lbs.
460 lbs. with Top



Note: Optional casters raise height 1" higher than wheel size
Note: 4" or 6" legs available

