

Direct Steam Kettle

2/3 Jacketed
Deep Drawn Construction
Stationary, Leg Mounted
Made in USA

Model LT

STANDARD FEATURES



- ◆ Kettle System
 - ◇ Seamless deep-drawn 304 kettle liner
 - ◇ 304 stainless draw-off tube and welds
 - ◇ 304 stainless 2" compression draw-off valve
- ◆ 304L seamless deep-drawn stainless kettle jacket
- ◆ 304 stainless leg socket supports, seam welded to jacket
- ◆ 304 stainless legs provided with reinforced bracing
 - ◇ 3 legs for 10 - 40 gallon, 1 5/8" diameter
 - ◇ 3 legs for 50 - 80 gallon, 2" diameter
 - ◇ 4 legs for 100 - 150 gallon, 2" diameter
- ◆ Adjustable flanged feet
- ◆ 304 stainless, one piece, domed cover, actuator-assisted on 40 - 150 gallon
- ◆ 30 psi operating pressure
- ◆ Perforated disk strainer, 1/4" holes

Model LT-150

with optional 3" draw-off and draw-off protection

Legion equipment is built to comply with applicable standards for manufacturers. Approval agencies may include ASME, NSF, UL, ETL, AGA, CSA, CGA, and others. Legion reserves the right of design improvement or modification as warranted.

Models and Capacities

LT-10	10 gal.	38 l.
LT-20	20 gal.	76 l.
LT-30	30 gal.	114 l.
LT-40	40 gal.	151 l.
LT-50	50 gal.	189 l.
LT-60	60 gal.	227 l.
LT-80	80 gal.	303 l.
LT-100	100 gal.	379 l.
LT-125	125 gal.	473 l.
LT-150	150 gal.	568 l.

Select draw-off valve: 2" 3"

With: compression ball type fitting

See price list for other draw-off options.

Optional Features and Accessories

See price list for supplemental information regarding options

Faucet Options:

- Single or double fill faucet with bracket & 12" or 18" swing nozzle
 - .48" flexible spray hose assembly (vinyl or stainless) for use with dual or single fill faucet
 - Faucet bracket
 - Automatic water filling meter
- (Call for information regarding additional faucet options)

Prison/Security Options:

- Fastener (nut for draw-off)
- Draw-off nut driver tool
- Lockable lid
- Draw-off protection
- Reinforced bar rim

Other Options:

- Higher operating pressure
- Air eliminator valve

Other Options:

- Pressure reducing valve
 - Connection plumbing parts kit
 - Mixer/Agitator, 2 speed
- ### Covers:
- Lift-off cover
 - 1 piece actuator-assisted cover, 20 - 25 gallon
 - 2 piece hinged cover

Accessories:

- Single basket insert, 20 - 25 gallon
- Tri-basket insert
- Nylon bag insert with spreader ring
- Draw-off drain hose
- Measuring strip
- Perforated disk strainer 1/8" holes
- Kettle care kit



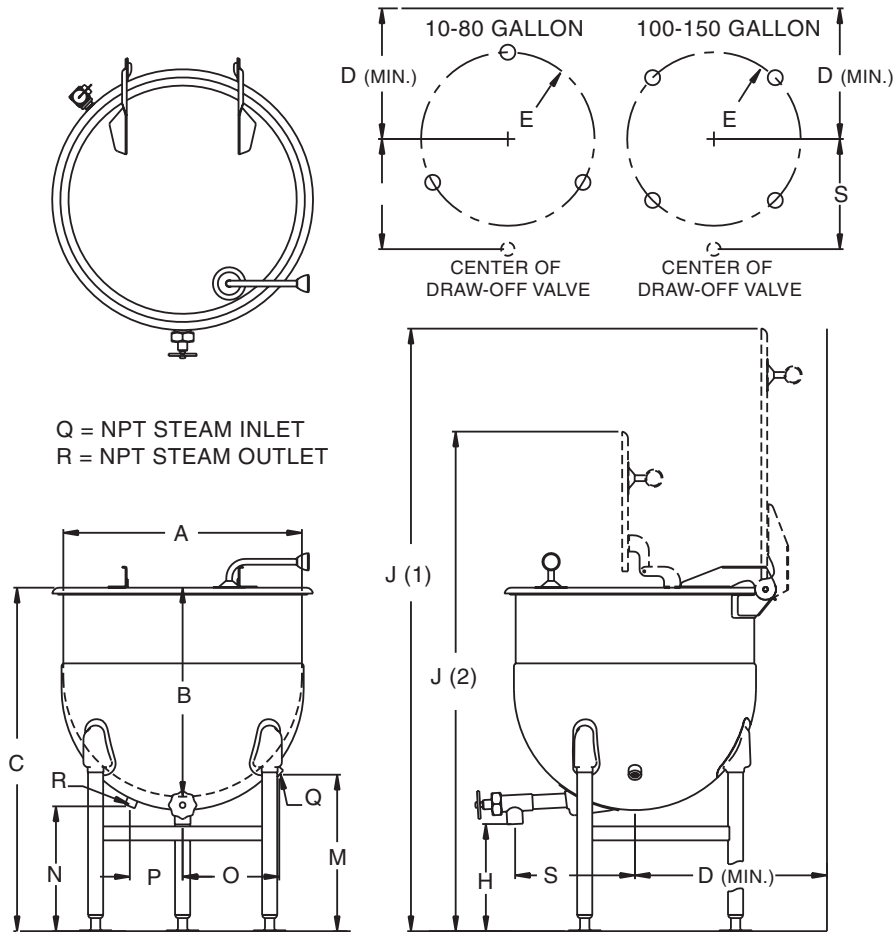
LEGION Legion Industries, Inc. P.O. Office Box 728 Waynesboro, GA 30830 (800) 887-1988
(706) 554-4411 Fax: (706) 554-2035 www.legionindustries.com sales@legionindustries.com

Model LT

2/3 Jacketed
Deep Drawn Construction
Stationary, Leg Mounted
Made in USA

Direct Steam Kettle

DRAWING REPRESENTS MODEL LT-40



MODEL LT DIMENSIONS

Gal.	A	B	C	D	E	H*	J1	J2	M	N	O	P	Q	R	S
10	16.0	14.0	29.5	17.0	7.1	13.5	48.5	41.0	15.3	14.7	5.1	4.3	.50	.50	10.3
20	22.0	16.0	31.0	20.0	10.2	13.5	56.0	46.2	16.7	14.7	7.9	5.0	.75	.50	13.0
30	23.0	20.3	35.6	20.5	10.2	13.9	61.6	51.8	17.3	15.0	8.3	5.0	.75	.50	13.0
40	25.5	22.3	36.8	21.8	11.4	13.0	65.3	54.8	17.4	14.2	9.7	5.3	.75	.50	13.0
50	29.5	21.8	36.5	23.8	12.2	13.3	69.0	60.0	17.6	14.7	10.5	6.4	.75	.50	14.0
60	29.5	25.0	39.7	23.8	12.4	13.2	72.2	63.2	17.6	14.7	10.5	6.4	.75	.50	14.0
80	32.5	27.6	43.0	25.3	12.4	13.9	78.5	67.8	17.9	15.2	10.7	6.4	1.00	.75	14.0
100	39.0	25.9	40.7	28.5	14.2	13.3	82.7	65.6	18.3	14.4	13.0	6.4	1.00	.75	17.8
125	44.0	26.4	41.4	31.0	19.4	13.5	88.4	68.8	18.3	15.8	13.7	9.8	1.25	.75	19.7
150	44.0	30.4	45.4	31.0	19.4	13.5	92.4	72.8	18.3	15.8	13.7	9.8	1.25	.75	19.7

**H* dimension varies with draw-off size selection.

Revised 113



LEGION Legion Industries, Inc. P.O. Office Box 728 Waynesboro, GA 30830 (800) 887-1988
(706) 554-4411 Fax: (706) 554-2035 www.legionindustries.com sales@legionindustries.com