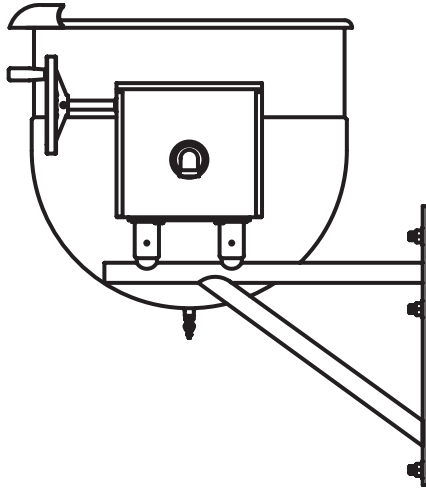


Direct Steam Kettle

2/3 Jacketed, Tilting
Deep Drawn Construction
Wall-Bracket Mounted
Made in USA

Model TWWT

STANDARD FEATURES



- ◆ Kettle System
 - ◇ Seamless deep-drawn 304 kettle liner
- ◆ 304L seamless deep-drawn stainless kettle jacket
- ◆ 304 stainless support arms
- ◆ 304 stainless, reinforced gear box
- ◆ Self-locking worm gear tilt mechanism
- ◆ 30 psi operating pressure

Model TWWT

Legion equipment is built to comply with applicable standards for manufacturers. Approval agencies may include ASME, NSF, UL, ETL, AGA, CSA, CGA, and others. Legion reserves the right of design improvement or modification as warranted.

Models and Capacities

TWWT-20	20 gal.	76 l.
TWWT-30	30 gal.	114 l.
TWWT-40	40 gal.	151 l.
TWWT-50	50 gal.	189 l.
TWWT-60	60 gal.	227 l.
TWWT-80	80 gal.	303 l.
TWWT-100	100 gal.	379 l.

Optional Features and Accessories

See price list for supplemental information regarding options

Faucet Options:

- Single or double fill faucet with bracket & 12" or 18" swing nozzle
- 48" flexible spray hose assembly (vinyl or stainless) for use with dual or single fill faucet
- Faucet bracket
- Automatic water filling meter

(Call for information regarding additional faucet options)

Other Options:

- Higher operating pressure
- Air eliminator valve
- Pressure reducing valve
- Connection plumbing parts kit
- Mixer/Agitator, 2 speed
- Lift-off cover
- 1 piece actuator-assisted cover,
- In-wall carrier for wall mounting

Select draw-off valve: 2" 3"

With: compression ball type fitting

See price list for other draw-off options.

Prison/Security Options:

- Fastener (nut for draw-off)
- Draw-off nut driver tool
- Lockable lid
- Draw-off protection
- Reinforced bar rim

Accessories:

- Single basket insert, 20 - 40 gallon
- Tri-basket insert
- Nylon bag insert with spreader ring
- Pour lip pan holder assembly
- Measuring strip
- Kettle care kit

Revision 113



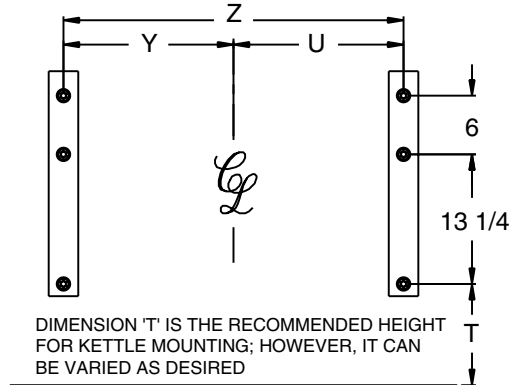
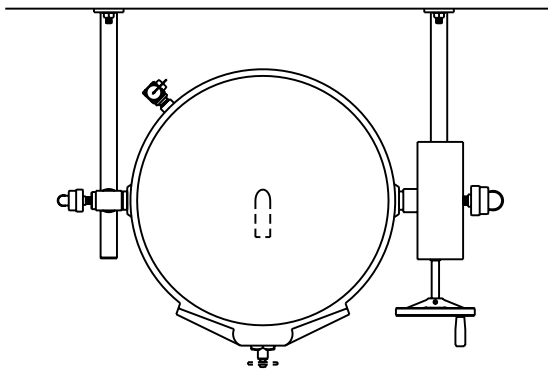
LEGION Legion Industries, Inc. P.O. Office Box 728 Waynesboro, GA 30830 (800) 887-1988
(706) 554-4411 Fax: (706) 554-2035 www.legionindustries.com sales@legionindustries.com

Model TWWT

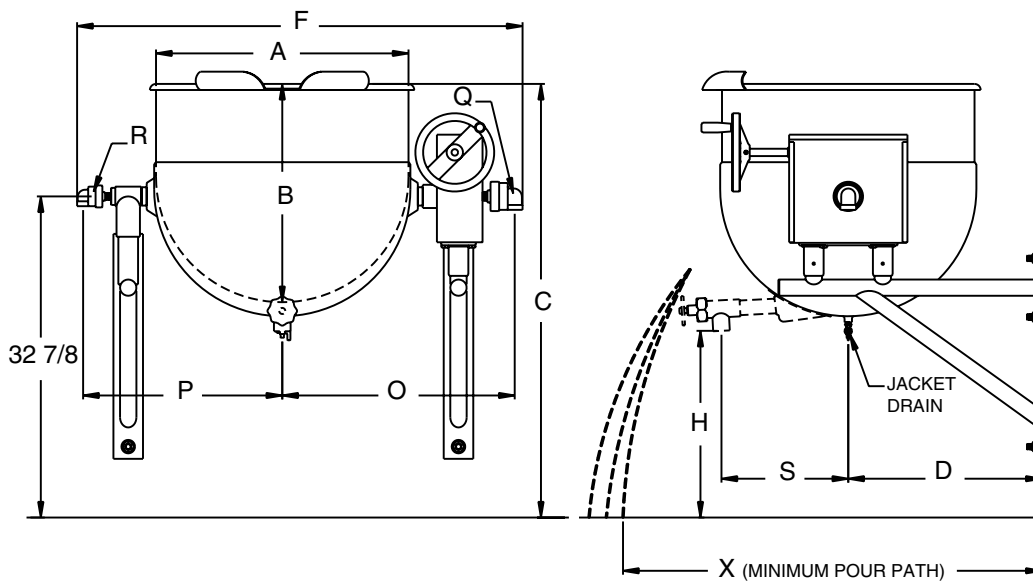
2/3 Jacketed, Tilting
Deep Draw Construction
Wall-Bracket Mounted
Made in USA

Direct Steam Kettle

DRAWING REPRESENTS MODEL TWWT-40 WITH OPTIONAL 1 1/2 DRAW-OFF



Q = NPT STEAM INLET
R = NPT STEAM OUTLET



MODEL TWWT DIMENSIONS																
GAL.	A	B	C	D	F	H*	O	P	Q	R	S	T	U	X	Y	Z
20	22.0	16.0	41.9	14.6	40.8	22.9	21.4	18.0	.75	.50	13.0	7.3	15.5	22.6	13.4	29.9
30	23.0	20.3	44.1	14.6	42.5	20.9	22.3	18.9	.75	.50	13.0	7.3	16.4	24.8	14.3	30.6
40	25.5	22.3	44.4	19.6	45.3	19.1	23.6	20.3	.75	.50	13.0	7.3	17.9	30.1	15.6	33.5
50	29.5	21.8	41.1	19.6	49.6	16.4	25.9	22.5	.75	.50	14.0	7.3	20.0	26.9	17.8	37.8
60	29.5	25.0	44.4	19.6	49.6	16.4	25.9	22.5	.75	.50	14.0	7.3	20.0	30.1	17.8	37.8
80	32.5	27.6	46.3	19.6	53.3	15.6	27.3	24.3	.75	.75	14.0	7.3	21.3	32.0	19.2	40.5
100	39.0	25.9	44.3	25.1	58.8	15.1	30.0	27.0	.75	.75	17.8	7.3	24.1	35.4	21.9	46.0

*"H" dimension varies with draw-off size selection.

Revised 113



LEGION Legion Industries, Inc. P.O. Office Box 728 Waynesboro, GA 30830 (800) 887-1988
(706) 554-4411 Fax: (706) 554-2035 www.legionindustries.com sales@legionindustries.com