



Simply Engineered Better

MD240LT

Low-Temperature Warewashing Machine



Project _____

Item No. _____

Quantity _____

MODEL MD240LT WAREWASHER

STANDARD FEATURES

- Dual NSF listed as both a glasswasher and a dishwasher
- Soft start, protects dishes and glasses from chipping or breakage
- Two upper, one lower wash/rinse arms
- 10-1/2" glass, stemware and plate clearance
- Counter balanced door
- Reduced water usage
- Low-water tank heat protection
- Built-in detergent, rinse-aid, and sanitizer dispensing pumps
- Wash pump, 1-Hp motor
- Fill and drain operation
- Thermostatically controlled wash tank heater maintains water at the required temperature
- Single phase connection
- Stainless steel construction
- Fully automatic wash/rinse cycle processes a rack of wares in 90 seconds ... 40 racks an hour!
- Complete with two 20" x 20" racks (one peg & one flat)
- One year parts and labor warranty

SPECIFIER STATEMENT

Specified unit will be Moyer Diebel model MD240LT low temperature warewashing machine.

Features include 10-1/2" door opening, 90 second total cycle, solid state controls, detergent, rinse aid and sanitizer pumps. Constructed of stainless steel.

1 year parts and labor warranty.

OPTIONS & ACCESSORIES

- | | |
|--|-------------|
| <input type="checkbox"/> Flat bottom dishrack | P/N 101273 |
| <input type="checkbox"/> Peg dishrack | P/N 101285 |
| <input type="checkbox"/> Casters; set of four – 2 locking, 2 regular | P/N 0701962 |
| <input type="checkbox"/> Low chemical Alarm | P/N 0707258 |
| <input type="checkbox"/> Quick disconnect package (includes casters) | |
| <input type="checkbox"/> Pressure reducing valve (unmounted) | P/N 108265 |
| <input type="checkbox"/> A.D.A. compliance kit | P/N 0713146 |



MD036L Printed in U.S.A.

Moyer Diebel – USA

3765 Champion Blvd., Winston-Salem, NC 27105 Tel: 336/661-1992 Fax: 336/661-1979 800/228-8350
www.moyerdiebel.com



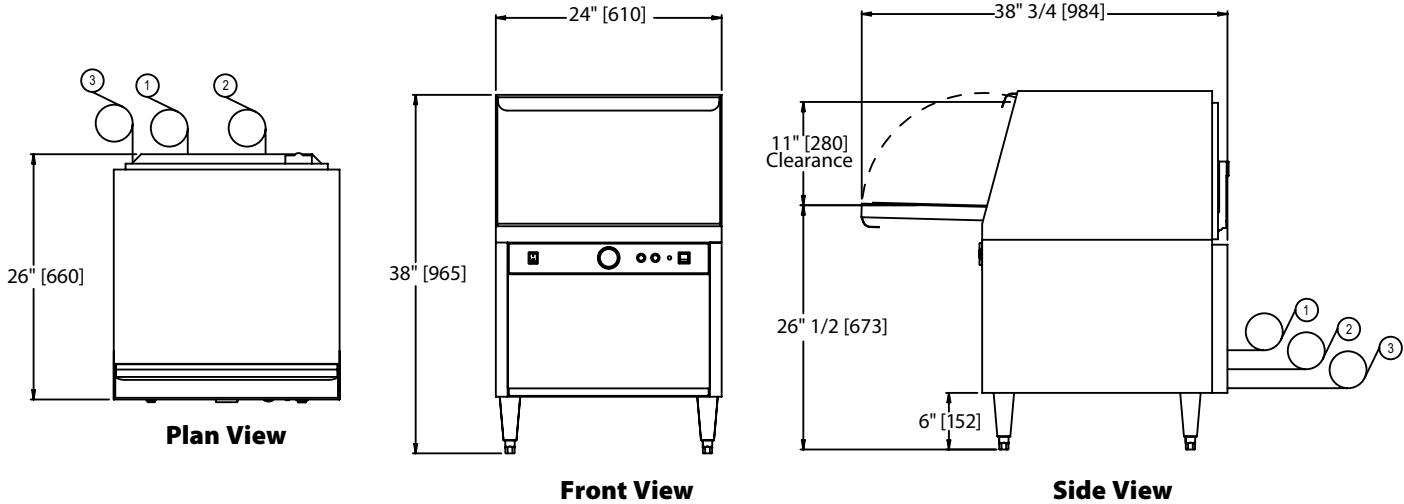


Simply Engineered Better

MD240LT

Low-Temperature
Warewashing Machine

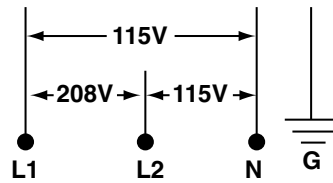
Dimensions shown in inches and [millimeters]



***Note:** Allow additional 3" clearance from wall.

Utilities	
1	Electrical 115/60/1; 12 amp draw; to be fused at 15 amp. 4ft. plug-in cord supplied.
2	Water 1/2" Supply; 140°F Min. hot water connection, 6 ft. long, 1/2" I.D. flexible fill hose with 3/4" hose connector. Flow pressure 25-95 PSI.
3	Drain 5/8" I.D. flexible reinforced hose, 6 ft. long. Max. drain flow 15 US gpm, Max. drain height 3 ft.

	Uncrated	Crated
Height	38"	46.5"
Width	24"	27"
Depth	25"	27.5"
Ship Wt. lbs/kg	135/61.4	155/70.5



Note: Electrical supply service must be a 3-wire ground for connection shown.

MD240LT low temperature without booster 750 watt tank heat

Electric Specs.	Rated Amps
115/60/1	12

SPECIFICATIONS

Capacities

Cycle time (seconds)	90
Racks per hr.	40

Motor horsepower

Wash	1
------	---

Water consumption

U.S. Gal. per hr. (Max. use)	49.2
U.S. Gal. per rack	1.64

Temperatures °F

Wash	140
Rinse	140

Heating

Tank heat, electric, kW	.75
-------------------------	-----

Time Cycle in Seconds

Wash	45
Rinse	17
Drain/Fill	28
Total cycle	90

Standard 20" x 20" Rack Complement

Dish	1
Open	1

Warning: Plumbing and electrical connections should be made by qualified personnel who will observe all the applicable plumbing, sanitary and safety codes and the National Electrical Code.