

# JET-TECH

## model F-16DP

High-temp undercounter cup & glasswasher

- Built-in booster for superior sanitation
- Fully automatic program with wash phase at 150°F (65°C.) and final rinse phase at 185°F. (85°C.)
- Capacity: 24 racks per hour
- Sanitary labyrinth door eliminates need for gasket
- Built-in rinse-additive pump for sparkling results
- Built-in automatic detergent pump for consistent results
- Built-in automatic drain pump for ease of installation



Includes 16 place angled glassware rack

# model F-16DP

## High-temp undercounter cup & glasswasher

### CONSTRUCTION FEATURES

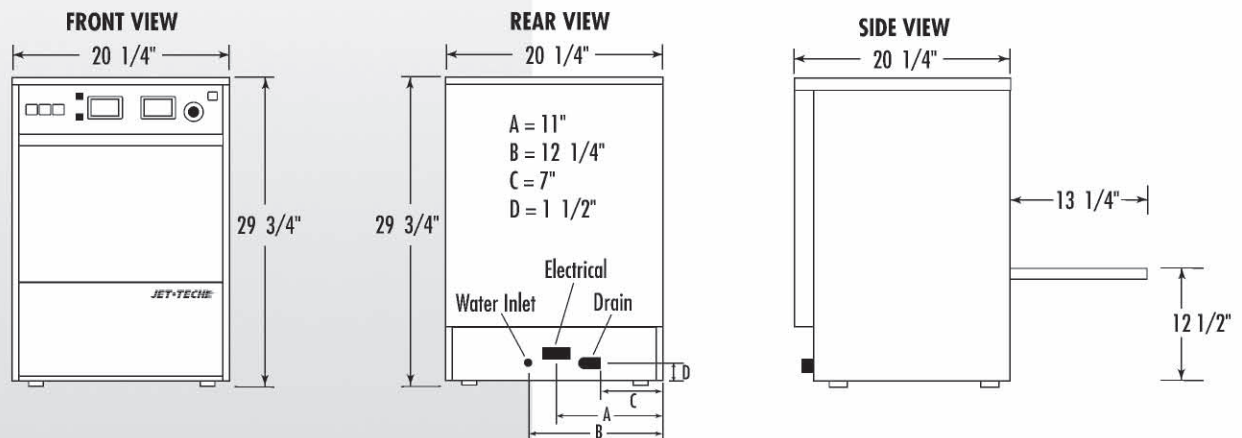
- Body, external housing, wash tank, and all chassis components in brushed stainless steel AISI 304 18/10
- Noise 58 DbA due to utilization of double-wall insulated panels
- Upper and lower wash and rinse jets on revolving arms constructed of fiberglass; easy to remove and clean without the need for tools
- Integrated AISI 304 18/10 stainless steel booster
- Safety micro-switch on the door to interrupt wash pump action
- Independently-operated heating elements alternating between booster and wash tank
- Alternating heating resistors reducing maximum absorption thereby reducing energy costs
- Possibility of built-in or free-standing installation
- Standard insulated top and side panels
- Wash pump protected with filter, plus additional filter for overflow tube
- Door-opening with overall clearance of 10 in. (25 cm)
- Protective stainless steel shield for wash tank element
- Automatic fill and water level regulation of tank
- Slide out integrated front control panel provides easy access for service
- Individual analog thermometer gauges displaying wash and rinse temperatures
- Standard equipment includes: One 16- compartment (4x4) angled section glassware rack and one open combination rack for cups, bowls, and assorted wares

### TECHNICAL FEATURES

- **Rack capacity:** 15.75" x 15.75" (400 mm x 400 mm)
- **Complete cycle:** 160 seconds (145 sec. wash & 15 sec. rinse)
- **Wash tank capacity:** 3.0 U.S. gallons (11 liters)
- **Wash tank element:** 2000 Watts
- **Wash temperature:** 150°F. (65°C.)
- **Booster capacity:** .87 U.S. gallons (3.2 liters)
- **Booster element:** 2400 Watts
- **Booster (water) temperature:** 185°F. - 194°F. (85°C. - 90°C.)
- **Power supply:** 208-240/60/1 12.9 Amps
- **Motor-pump:** 0.5 H.P. with thermal overload protection
- **Maximum power rating:** 2600 Watts
- **Water consumption per cycle:** 0.5 U.S. gallon (1.9 liters)
- **Water consumption/hr:** 15.0 U.S. Gallons / 56.7 Liters maximum
- **Water supply:** 1/2" hot water supply 140°F/60°C
- **Flow pressure:** 25 p.s.i. (dynamic) (PRV may be required)
- **Water inlet connection:** 3/4" male hose connector (hose included)
- **Drain connection:** 1" ID (25.4mm) max. height 36"/915mm (hose included)
- **Shipping weight:** 116 lbs. (53 kg.)

### OPTIONAL ACCESSORIES

- Pressure reducing valve (PRV) kit
- Stainless steel stand (12" high)



### MVP GROUP CORPORATION

HEAD OFFICE: 5659 Royalmount Ave., Montreal, QC, Canada H4P 2P9

TEL: (514) 737-9701 • TOLL FREE: (888) 275-4538 • FAX: (514) 342-3854 • TOLL FREE FAX: (877) 453-8832

www.mvpgroupcorp.com • e-mail: sales@mvpgroupcorp.com

In line with our continuing policy on research and product development, we reserve the right to alter specifications and prices without notice.