



MODELS

KGV-MD-(2, 3)-S

HIGH VOLUME
GRAB-N-GO CASE

- Case holds 33°F to 40°F • Forced air refrigeration • 2 and 3 door models
- Front loading • LED lighting in canopy and under all shelves
- Cases can be multiplexed



SELF CONTAINED	Model	No. of Doors	O.A. Length Inches	Volume FT ³	Electrical - 115 volts					Weight LBS.		Crate Size		
					Compressor			Lights Fans HTRS	Total Amps	No Crate	With Crate	W	L	H
					H.P.	F.L.A.	L.R.A.							
	KGV-MD-2-S	2 X 23-1/2	51-1/2	37.63	5/8	8.9	47	2.3	11.23	622	780	54	36	95
	KGV-MD-3-S	3 X 23-1/2	75-3/8	56.37	5/8	8.9	47	3.1	12	840	1080	78	36	95

NOTE: FOR OTHER LENGTHS, PLEASE CONTACT MVP

STANDARD FEATURES

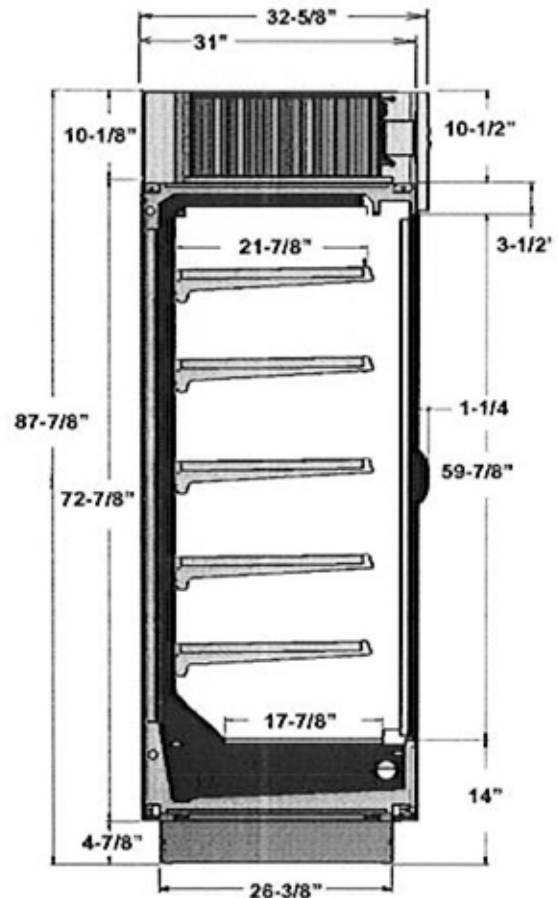
- Insulation-CFC free injected foam
- Interior-PVC coated steel gray
- Silver colored PVC coated steel front panel with black steel kick plate
- Foamed polystyrene black end panels
- Height adjustable shelves can be tilted
- Product stops on all shelves
- Temperature and defrost regulated by a digital controller
- Levelling feet

OPTIONAL FEATURES

- Other colors available
- Stainless steel exterior
- Stainless steel interior
- Additional shelves
- Price tag molding

WARRANTY

One year parts and labor with an additional four years on the compressor (part only)



NOTE

These cases are engineered to operate in locations not exceeding 75°F and 55% R.H. These cases are designed to operate using R404a refrigerant. Alternate refrigerants available by special order. O.A. length includes (2) ends at 1-7/8" each. Ventilation grills at front and back cannot be blocked. B.T.U.'s are calculated at 14°F (evaporator) and 90°F (ambient). Floor drain must be provided. Cases must be hard wired – no plugs.

USA Tel: 786.600.4687 / Toll Free: 844.218.8477
Fax: 786.661.4100

Canada Tel: 514.737.9701 / Toll Free: 888.275.4538
Fax: 514.342.3854 / Toll Free: 877.453.8832

sales@mvpgroupcorp.com / mvpgroupcorp.com