



**Model Series: 6800 & 6805, Toasters
2 & 3 Slice Models
INCLUDES 120 & 240 VOLT**

OPERATING INSTRUCTIONS

INTRODUCTION

1. Please read instructions before using this appliance.
2. When using electrical appliances, basic precautions should always be followed to reduce the risk of fire, electric shock and injury.
3. Clean machine thoroughly before first use and after all uses following cleaning instructions below.

ELECTRICAL REQUIREMENTS

Plug warmer into a grounded outlet with correct voltage and sufficient power capacity. Refer to the product label (serial plate) on the toaster for electrical requirements.

SAFETY INSTRUCTIONS

1. **Warning!** All power must be disconnected at power source before any service procedure is performed.
2. This appliance is hot when in use. To avoid burns, do not let bare skin touch hot surfaces. Keep combustible materials, such as drapes and other furnishings, away from appliance.
3. Extreme caution is necessary when any appliance is used by or near children and whenever the appliance is left unattended.
4. Always unplug appliance when not in use and before cleaning, adjusting or maintaining this machine. To disconnect appliance, turn controls off and remove plug from power source.
5. Do not operate any appliance with a damaged or altered cord or plug, after the appliance malfunctions, has been dropped, or damaged. Return appliance to an authorized service facility for examination, electrical or mechanical adjustment, or repair.
6. Do not use outdoors. This appliance is not intended for use in wet or moist locations. Never locate appliance where it may fall into water.
7. Connect to properly grounded outlets only. Avoid the use of extension cords. Do not run cord under carpeting, runners, or the like. Arrange cord away from traffic area and where it will not be tripped over.
8. To reduce the risk of fire, it is recommended that the unit is placed on a non-combustible surface.
9. This appliance has electrical parts. Do not use it in areas where gasoline, paint, or flammable liquids are used or stored.

PREPARATION

1. Set toaster on a flat, stable, non-combustible surface near the power source.
2. Be sure that the return chute and feeder rack are both properly installed.
3. If toaster fails to work properly when first operated call NEMCO customer service at 1-800-782-6761.

OPERATION

1. Plug CORD into a grounded electrical outlet of the correct voltage. Electrical shock can occur if appliance is not grounded properly.
2. Preheat the toaster by turning the knob to the "Top & Bottom" setting, and allow it to pre-heat for 15 to 20 minutes.
3. This toaster is intended to toast and warm bread products (bread, English muffins, bagels, etc) only.
4. Once toaster has pre-heated set heat control to desired setting. "Top & Bottom" will supply heat from both the top and bottom elements, "Top Only" will supply heat from the top elements only, and "Standby" will supply heat from the top elements only, but the chamber temperature is regulated with a hi-limit thermostat. This setting is meant to be used in down time when the toaster needs to remain warm, but not at full operating temperature. It will limit the amount of time that it takes to recuperate to the proper operating temperature.
5. Set the speed control to the middle position. Place slices of bread on to wire feeder rack. The bread will slide down the rack and come into contact with the wire conveyor, which will pull the bread through the toasting chamber. Toast will be returned by the return chute located under the toaster.
6. After first pieces of toast are done, adjust the speed control accordingly. Cooler products and products with more moisture will take longer - set the speed dial to a slower setting for these products.

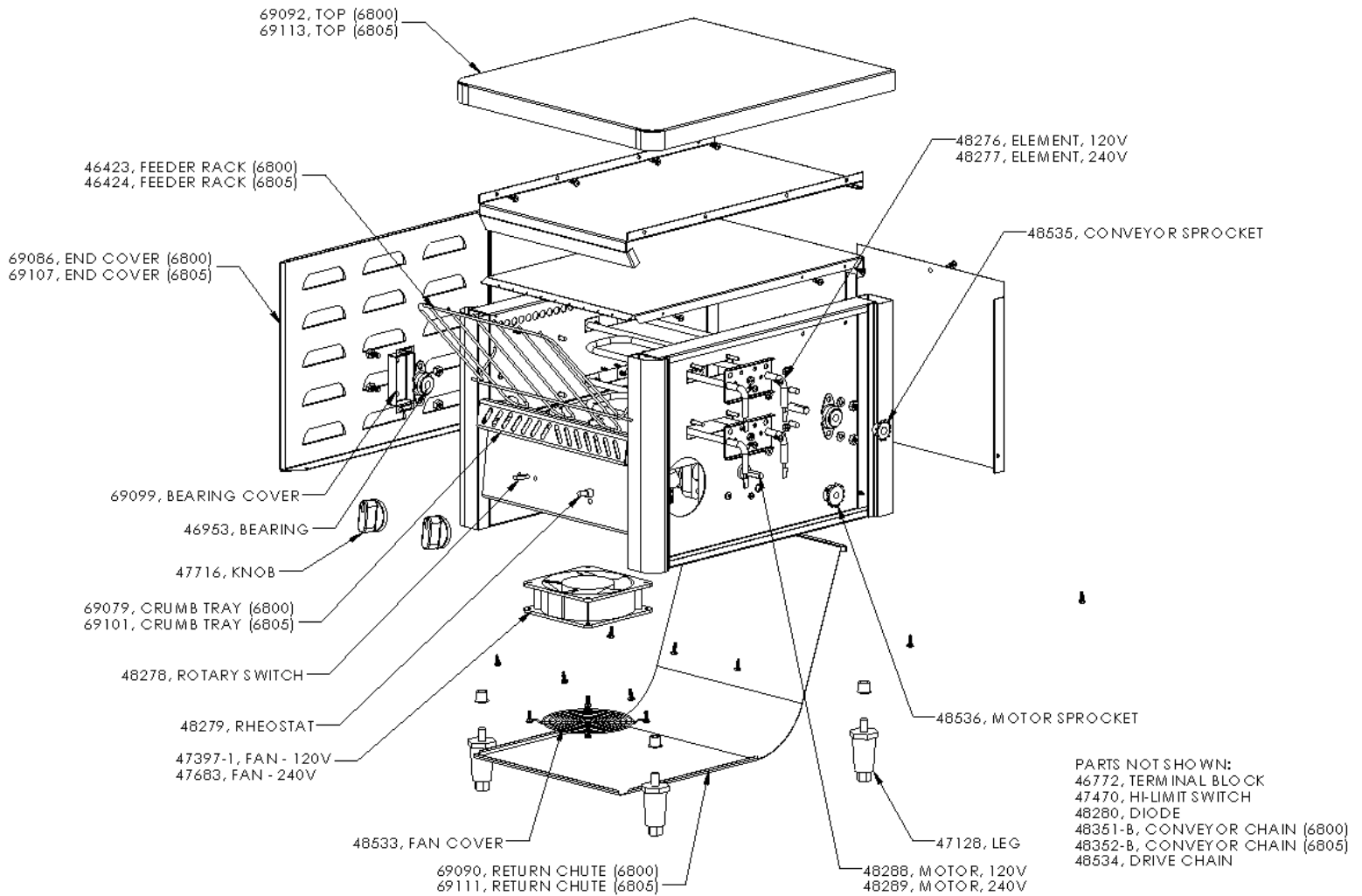
CLEANING

NOTE: Proper maintenance plays an important part in the life span and functioning of the toaster. To maintain appearance and increase the service life, the toaster should be cleaned at least daily.

1. Unplug the power cord and let toaster cool before cleaning or moving.
2. When the toaster is cool turn the knob to the "Standby" position. Using a damp cloth wipe the wire conveyor from the outside to the center. After cleaning all debris from the wire conveyor turn the toaster to the "Off" position.
3. Remove the crumb tray and empty the contents.
4. Remove both the wire feeder rack and the return chute. Clean the crumb tray, wire feeder rack, and the return chute with mild soap and warm water. Rinse when clean.
5. Allow all components to dry before replacing them in the toaster.
6. Using a warm damp cloth, wipe down the exterior of the toaster.

SERVICE INSTRUCTIONS

Repair: to avoid serious injury or damage, do not repair the toaster or replace a damaged power cord yourself. Repairs must be coordinated through: NEMCO Food Equipment customer service at 1-(800) 782-6761.



NEMCO FOOD EQUIPMENT 301 Meuse Argonne, Hicksville, OH 43526
 Phone: (419) 542-7751 Fax: 419-542-6690 Toll Free: 1-800-782-6761
www.nemcofoodequip.com



11-11-2013