

# BusBoy by

**NEMCO**  
FOOD EQUIPMENT

Commercial Food Waste  
Disposer Systems

Job \_\_\_\_\_ Item# \_\_\_\_\_

## Commercial Disposer Model 3000 - 3 hp



### Application

The Bus Boy Model 3000 - 3 hp disposer is designed for use in medium to large food service operations with predominantly heavy difficult waste.

### Motor

Dual-directional 3 hp, totally enclosed for maximum protection against moisture. Fan-cooled with integral thermal overload protection. Dual voltage motors available in three phase 208/220/440 volts, 60 cycle. No single phase motors available.

### Motor Data

Model 3000 - 3 hp - 1725 rpm  
(60 cycle).

**Three Phase Only:** 208/220/440  
Volts, 9.0/4.5 Amps. Overload  
Protection in Motor.

### Motor Shaft Seals

Dual independent motor shaft seal provides double protection of motor from water damage.

### Hopper

Corrosion-resistant with auxiliary water inlet. 6" throat opening.

### Grinding Table

8" diameter, dynamically balanced cast chrome alloy, heat treated to 56-58 Rockwell C. Four permanently affixed impact lugs. Precision-ground to a tolerance of .005" to grinding sleeve for maximum grind ability.

### Grinding Sleeve

8" diameter, cast chrome alloy, heat treated to 58-60 Rockwell C. Six permanently affixed primary breakup lugs and 48 precision grinding teeth.

### Waste Outlet

Waste outlet pipe size is 2".

### Mounting Assemblies

See reverse page. Cones - 15" or 18" diameter, stainless steel. Sink or trough adapter flange, stainless steel 6" diameter. All mounting assemblies include specially-designed neoprene silencer which isolates disposers from metal-to-metal contact, absorbs vibration and greatly reduces noise level.

### Adapters

Available for replacing other manufacturers' units with Bus Boy.

### Agency Data

Bus Boy Model 3000 - 3 hp is Underwriters' Laboratories, Inc. listed.

### Warranty

Warranted for one year covering parts and labor. All installations MUST be made in accordance with applicable local codes.

### Approximate Weight

95 lbs. shipping.

### Accessories

Consult Price List for Accessories, Cut-Down and Alternate Hoppers.



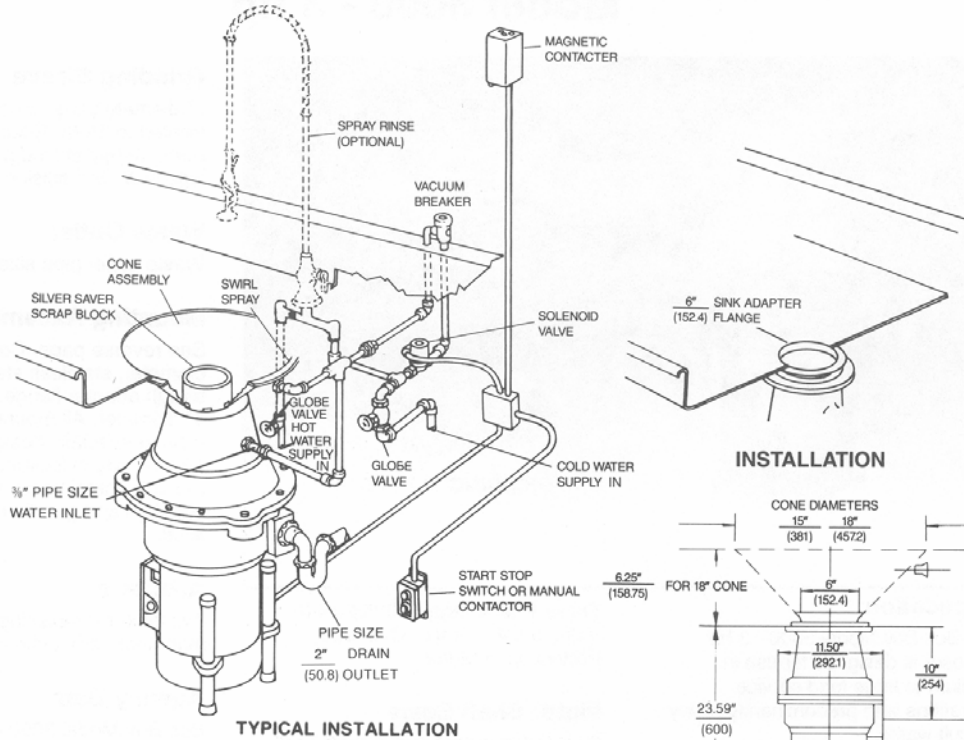
UL LISTED  
ELECTRICAL  
EQUIPMENT  
CLASSIFICATION  
E-3000

NEMCO FOOD EQUIPMENT  
301 Meuse Argonne • Hicksville, OH 43526 USA  
Phone (419) 542-7751 • Fax (419) 542-6690  
Toll Free (800) 782-6761  
www.nemcofoodequip.com

# Commerical Disposer Model 3000 - 3 hp

We reserve the right to change specifications and product design without notice. Such revisions do not entitle the buyer to corresponding changes, improvements, additions or replacements for previously purchased equipment.

NOTE: ALL FIGURES IN PARENTHESES ARE IN MILLIMETERS



**BusBoy by**

**NEMCO**  
FOOD EQUIPMENT

Printed in U.S.A.

1/04

NEMCO FOOD EQUIPMENT  
301 Meuse Argonne  
Hicksville, OH 43526 USA