



ADVANTEDGE™ PIZZA PREP TABLE

PIZZA PREP TABLE



PROJECT:

ITEM NUMBER:

MODEL NUMBER:

SPECIFICATIONS FOR: NLPT44, NLPT67, NLPT93

- **Finish:** Stainless steel interior and exterior. Aluminum back and galvanized bottom.
- **Insulation:** The complete cabinet and doors are foamed-in-place with polyurethane insulation. Insulated covers on rail.
- **Hardware:** Curved handle with recessed pocket, two vinyl coated shelves per door adjustable in 1/2" increments, 6" casters, self-closing doors, 19" reversible cutting board, 1/3 size pans.
- **Electrical:** 115 volt, 60 Hz, 1 phase with cord and NEMA 5-15P plug.
- **Refrigeration:** Self-contained forced air R-134a capillary tube refrigeration system for NLPT44 and NLPT67, R-404a for NLPT93. Automatic defrost and condensate evaporator requires no plumbing. Adjustable temperature control. Temperature range: +34°F to +38°F for storage area, +33°F to +41°F for refrigerated rail.
- **Approvals:** UL, C-UL and ETL Sanitation listed **

STANDARD FEATURES

- Air cooled condensing unit
- Automatic condensate vaporizer
- Automatic defrost
- Capillary tube system
- Interior temperature indicator
- Adjustable temperature control
- Insulated rail covers with hold open hinges
- Self closing doors with magnetic gasket
- Stainless steel interior
- Stainless steel exterior (aluminum back, galvanized bottom)
- 1/3 size pans provided
- 6" casters
- 19" reversible cutting board
- UL, C-UL and ETL Sanitation listed **
- Warranties: 3 year parts & labor, 5 year compressor

OPTIONAL FEATURES*

- Additional shelves
- Refrigerated pull-out drawers
- Single or double overshelf

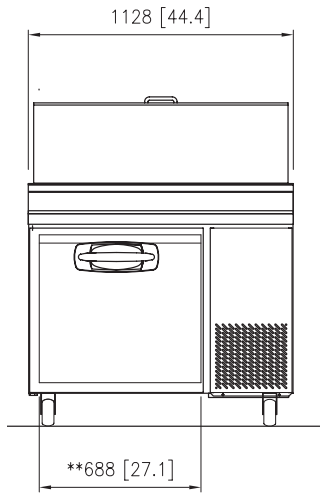


Nor-Lake, Inc.
Registered to ISO 9001:2008
File No. 10001816

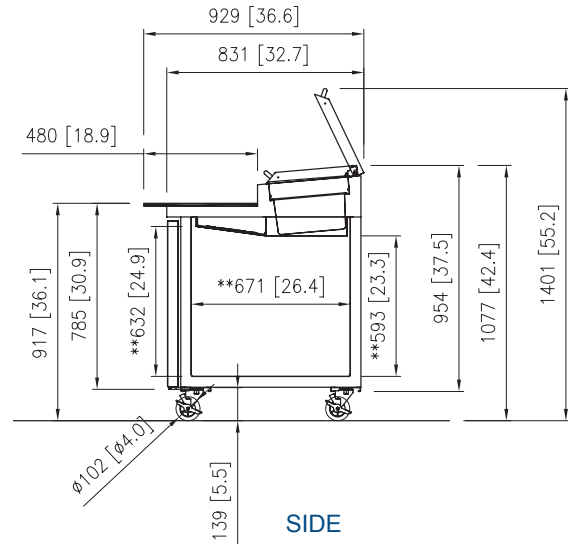
* Most options are available one week from receipt of order. Please contact us for specific questions.

** C-UL is Underwriters Laboratories Safety Certification Mark which indicates that UL has tested the equipment to applicable CSA Standards.

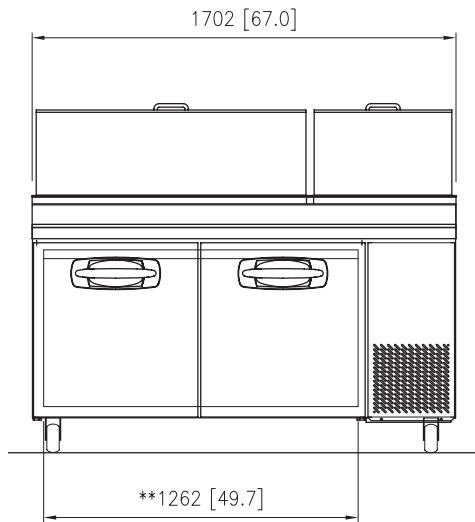
** UL-Sanitation is Underwriters Laboratories Safety Certification Mark which indicates that UL has tested the equipment to applicable NSF Standards.



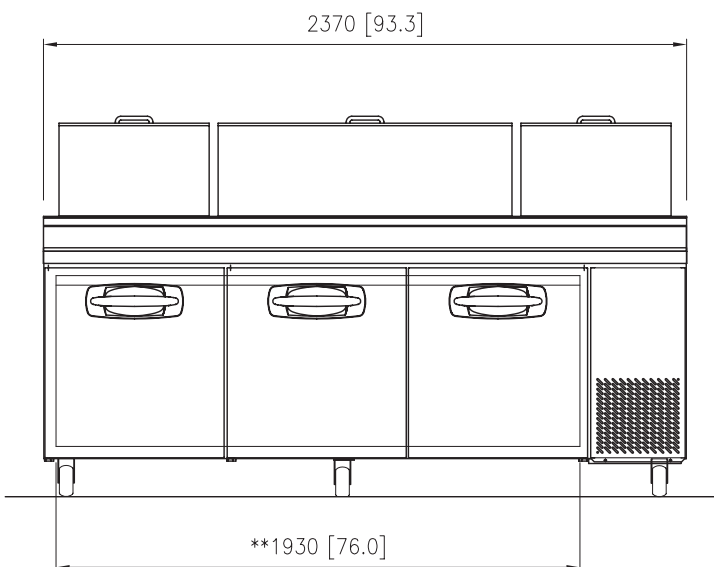
**NLPT44
FRONT**



SIDE



**NLPT67
FRONT**



**NLPT93
FRONT**

SPECIFICATIONS

| Models | NLPT44 | NLPT67 | NLPT93 |
|-----------------------------------|---------------|---------------|---------------|
| <i>Crated Weight (lbs) (kg)</i> | 309 (139) | 548 (247) | 698 (314) |
| <i>Crated Height (in) (cm)</i> | 43.7 (109) | 43.7 (109) | 43.7 (109) |
| <i>Crated Width (in) (cm)</i> | 48.6 (122) | 71.2 (178) | 97.5 (244) |
| <i>Crated Depth (in) (cm)</i> | 36.8 (92) | 36.8 (92) | 36.8 (92) |
| <i>Interior Height (in) (cm)</i> | 23.3 (58) | 23.3 (58) | 23.3 (58) |
| <i>Interior Width (in) (cm)</i> | 27.1 (68) | 49.7 (124) | 76 (190) |
| <i>Interior Depth (in) (cm)</i> | 26.4 (66) | 26.4 (66) | 26.4 (66) |
| <i>Overall Height (in) (cm)</i> | 42.4 (106) | 42.4 (106) | 42.4 (106) |
| <i>Overall Width (in) (cm)</i> | 44.4 (111) | 67 (168) | 93.3 (233) |
| <i>Overall Depth (in) (cm)</i> | 36.6 (92) | 36.6 (92) | 36.6 (92) |
| <i>Gross Cubage (CuFt) (L)</i> | 9.7 (275) | 17.8 (504) | 27.2 (770) |
| <i>Number of 1/3 Pans</i> | 6 | 9 | 12 |
| <i>Number of Shelves</i> | 2 | 4 | 6 |
| <i>Shelf Area (SqFt) (Sqm)</i> | 14.1 (1.31) | 25.8 (2.40) | 39.9 (3.71) |
| <i>Number of Casters</i> | 4 | 4 | 6 |
| <i>Condensing Unit Size</i> | 3/8 HP | 3/8 HP | 1/2 HP |
| <i>Refrigerant</i> | R-134a | R-134a | R-404a |
| <i>Electrical Characteristics</i> | 115/60/1 | 115/60/1 | 115/60/1 |
| <i>Cord and Plug Furnished</i> | Yes | Yes | Yes |
| <i>NEMA Plug Configuration</i> | 5-15P | 5-15P | 5-15P |
| <i>Total Amp Draw</i> | 6.5 | 6.5 | 7.5 |

Specifications subject to change without notice.



NORLAKE



Revision: 02/14
©2014 NOR-LAKE, INC.
Printed in the USA
Part Number: 143462