



NOVA™ PASS-THRU REFRIGERATORS



PR806

PROJECT:

.....

ITEM NUMBER:

.....

MODEL NUMBER:

.....

PASS-THRU REFRIGERATORS

SPECIFICATIONS FOR: PR242, PR524, PR806

- **Exterior Finish:** Exterior front, sides and doors are stainless steel. Exterior top and bottom are galvanized steel. All exterior joints and seams fold in without lap joints. No exposed raw edges.
- **Interior Finish:** Interior liner and interior door panel are stainless steel
- **Insulation:** The complete cabinet and door(s) are foamed-in-place with polyurethane foam insulation
- **Hardware:** Heavy duty pivot hinges, centered key locks, horizontal work flow handles, self-adjusting magnetic gaskets, 4" dia. casters (4 casters (2 locking) on 1 and 2 door models and 6 casters (4 locking) standard on 3 door model). 3 epoxy-coated shelves per door
- **Electrical:** All models are standard with complete perimeter, anti-condensate door opening heater wires and an interior LED light activated by switches for each door.
- **Instrumentation:** Digital LED thermometer reading tenths of a degree F.
- **Refrigeration:** Complete top mounted refrigeration system. Copper tube, aluminum fin evaporator. The condensate is collected and automatically evaporated from a hot gas evaporator vaporizer. Refrigerant flow is controlled by a capillary tube. R-134a refrigerant. Operating temperature: +36°F.
- **Approvals:** UL, C-UL and UL Sanitation **

STANDARD FEATURES

- | | |
|------------------------------------|---|
| ■ Air-cooled condensing unit | ■ Key locks |
| ■ Automatic condensate evaporation | ■ Magnetic gasketing |
| ■ Automatic defrost | ■ Operating temperature: +36°F |
| ■ Capillary tube system | ■ Polyurethane foam insulation |
| ■ Casters | ■ Recessed interior light |
| ■ Digital thermometer | ■ Stainless steel interior |
| ■ Door opening heaters | ■ Stainless steel exterior |
| ■ Epoxy-coated shelves | ■ Stocked for same day shipment |
| ■ Field reversible doors | ■ UL, C-UL & UL Sanitation listed ** |
| ■ Horizontal work flow handle | ■ Warranties: 3 year parts & labor, 5 year compressor |

OPTIONAL FEATURES*

- Extra shelves
- Full door pan slides
- Full glass doors (one side)
- Half door pan slides
- Half glass doors (one side)
- Half solid doors
- Legs in lieu of casters
- Thermal expansion valve

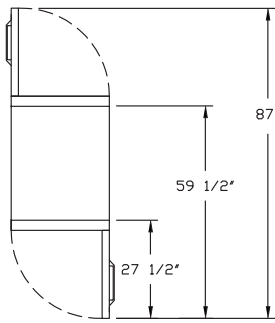


Nor-Lake, Inc.
 Registered to ISO 9001:2008
 File No. 10001816

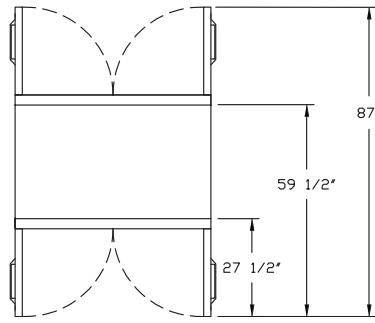
* Most options are available two weeks from receipt of order. Please contact us for specific questions.

** C-UL is Underwriters Laboratories Safety Certification Mark which indicates that UL has tested the equipment to applicable CSA Standards.

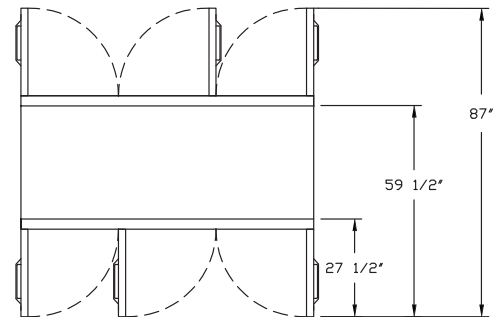
** UL Sanitation is Underwriters Laboratories Sanitation Mark which indicates that UL has tested the equipment to applicable NSF Standards.



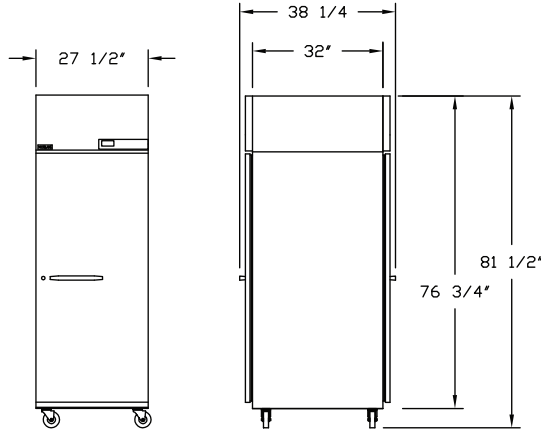
TOP VIEW
PR242



TOP VIEW
PR524

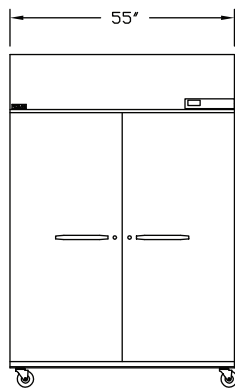


TOP VIEW
PR806

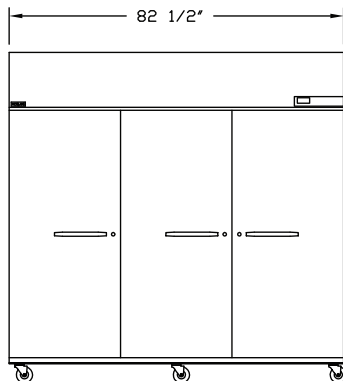


FRONT VIEW
PR242

SIDE VIEW
ALL MODELS



FRONT VIEW
PR524



FRONT VIEW
PR806

SPECIFICATIONS

Models	PR242	PR524	PR806
Crated Weight (lbs) (kg)	470 (212)	758 (341)	921 (414)
Crated Height (in) (cm)	81 (203)	81 (203)	81 (203)
Crated Width (in) (cm)	31 (78)	59 (148)	86 (215)
Crated Depth (in) (cm)	38 (95)	38 (95)	38 (95)
Interior Height (in) (cm)	59 (148)	59 (148)	59 (148)
Interior Width (in) (cm)	23-1/2 (59)	51 (128)	78-1/2 (196)
Interior Depth (in) (cm)	32 (80)	32 (80)	32 (80)
Overall Height (in) (cm)	81-1/2 (204)	81-1/2 (204)	81-1/2 (204)
Overall Width (in) (cm)	27-1/2 (69)	55 (138)	82-1/2 (206)
Overall Depth (in) (cm)	38-1/4 (96)	38-1/4 (96)	38-1/4 (96)
Gross Cubage (CuFt) (L)	25.6	55.7	85.8
Number of Shelves	3	6	9
Shelf Area (SqFt) (Sqm)	12.8 (1.18)	28.6 (2.6)	42.84 (3.94)
Number of Casters	4	4	6
Condensing Unit Size	1/3 HP	1/2 HP	3/4 HP
Refrigerant	R-134a	R-134a	R-134a
Electrical Characteristics	115/60/1	115/60/1	115/60/1
Cord and Plug Furnished	Yes	Yes	Yes
NEMA Plug Configuration	5-15P	5-15P	5-15P
Total Amp Draw	8.6	9.6	10.4

Specifications subject to change without notice.



Revision Date: 07/15
© 2015 NOR-LAKE, INC.
Printed in the USA
Part Number: 040343