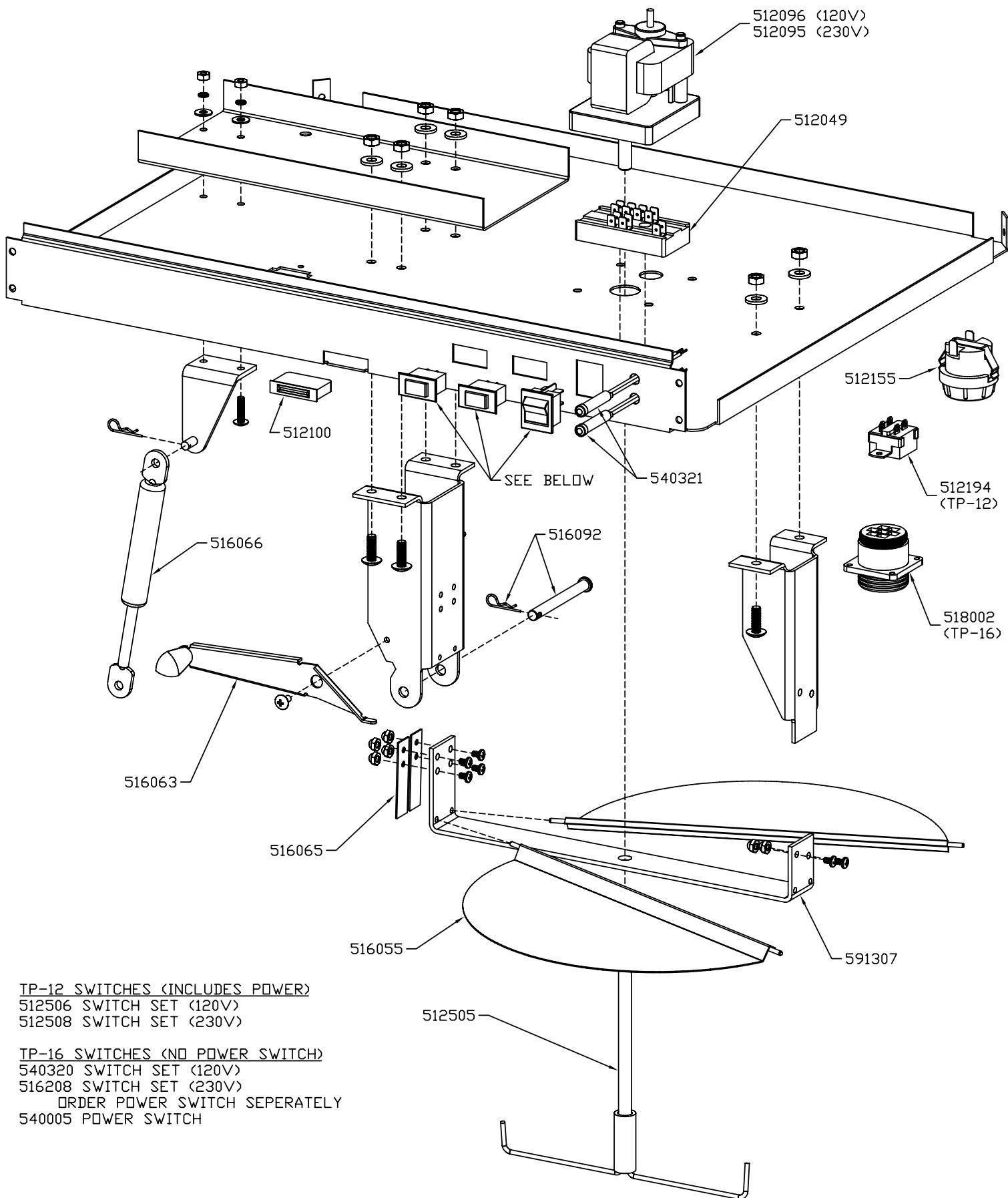


TP-12/TP-16 CHASSIS ASSEMBLY



TP-12 SWITCHES (INCLUDES POWER)

- 512506 SWITCH SET (120V)
- 512508 SWITCH SET (230V)

TP-16 SWITCHES (NO POWER SWITCH)

- 540320 SWITCH SET (120V)
- 516208 SWITCH SET (230V)
- ORDER POWER SWITCH SEPERATELY
- 540005 POWER SWITCH