

**VERTICAL, WALL MOUNTED
STAINLESS STEEL AISI 304 WHITE EPOXY**

Code: DJ0030

General Description

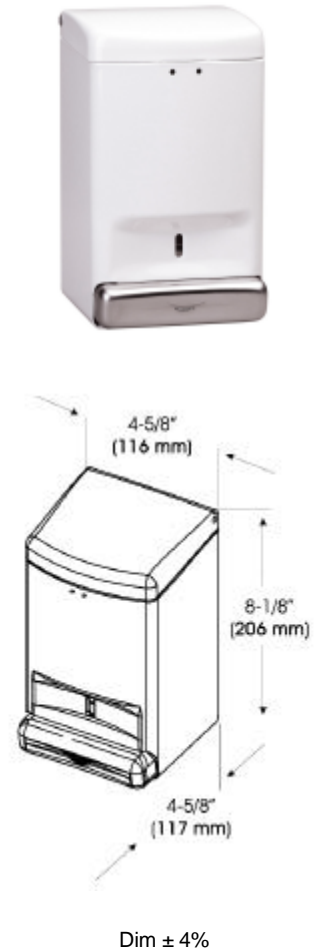
- Liquid soap dispenser, wall mounted.
- Push-button operated.
- Robust and vandal-resistant.
- Suitable for high traffic facilities.
- Model suitable for public use.
- It normally goes along with a warm air hand dryer.

Components & Materials

- Stainless steel AISI 304 body, top filling lid and push-button, 22-gauge (0.8 mm), white epoxy coated. It is mounted on the wall by means of 4 wood screws with their corresponding 3/16" (5 mm) wall plugs (the lower ones attach the dispenser, while the upper ones fix it to the wall) (screws and wall plugs are provided).
- Anti-dripping and anti-corrosion valve. Design based on a polyamide piston with 2 elastomeric toroidal gaskets, silicone blocking pivot and stainless steel ball to ensure tightness.
- Thermoplastic container, 1/8" (3 mm) thick. Access to its interior using a standard saniflow® key supplied.
- Stainless steel AISI 302 springs.
- Housing with 1 viewing slot.

Technical Specifications

Dimensions	4-5/8"W x 8-1/8"H x 4-5/8"D	Capacity	37.2 fl. Oz
Weight (empty dispenser)	2.2 Lbs.	Liquid soaps allowed	All, except (see designer's note)
Recommended installation height	6" - 8" from shelf	Quantity dispensed per pulsation	0.033 - 0.04 Oz
Push-button	Stainless steel	Operable force	26 N
Container	Thermoplastic		



Operation

Press push-button manually to dispense a measured amount of liquid soap. Valve is operable with one hand, without tight grasping, pinching, or twisting of the wrist.

Designer's note: Do not use E4-rated antibacterial soaps (active ingredients PCMX or Triclosan), iodine-based surgical soaps, or alcohol-based antiseptic solutions in this unit. Soap valve is not designed to dispense these types of corrosive soaps.

Specification

Wall mounted soap dispenser, robust and vandal-resistant with a body, top-filling lid and push-button made of stainless steel AISI 304, 22-gauge (0.8 mm), white epoxy coated. It shall be mounted on the wall by means of 4 wood screws with their corresponding 3/16" (5 mm) wall plugs; the lower ones attach the dispenser, while the upper ones fix it to the wall. The dispenser shall include an anti-dripping and anti-corrosion valve, which is based on a polyamide piston with 2 elastomeric toroidal gaskets, silicone blocking pivot and stainless steel ball to ensure tightness. The thermoplastic container shall be 1/8" (3 mm) thick and the access to its interior shall be using a standard saniflow® key supplied. The dispenser shall be provided with stainless steel AISI 302 springs and housing with 1 viewing slot. The soap dispenser shall be suitable for commercially marketed all purpose liquid and lotion hand soaps and synthetic detergents except for E4-rated antibacterial soaps (active ingredients PCMX or Triclosan), iodine-based surgical soaps, or alcohol-based antiseptic solutions. Overall dimensions shall be 4-5/8"W x 8-1/8"H x 4-5/8"D.

Liquid soap dispenser shall be model DJ0030, stainless steel AISI 304, white epoxy coated, of Saniflow Corp., 2655 Le Jeune Road Suite 810, Coral Gables, FL 33134.

Saniflow Corp. reserves the right to make changes and/or modifications to the products and their specifications without warning or notice.