

**SURFACE MOUNTED
STAINLESS STEEL AISI 304 SATIN FINISH**

Code: DT0106CS

General Description

- Paper towel dispenser, surface mounted, st. steel AISI 304 satin finish.
- Manual dispenser.
- Robust and vandal-resistant.
- Suitable for high traffic facilities.
- Model suitable for public use.
- It generally goes along with a soap dispenser and paper waste receptacle st. steel AISI 304 satin finish, complemented by a warm air hand dryer.

Components & Materials

- Stainless steel AISI 304 perfectly welded body, 22-gauge (0.8 mm), satin finish. It is mounted on the wall by means of 4 wood screws with their corresponding 3/16" (5 mm) wall plugs. The support of the screws in the back of the appliance are acting as an anti-moisture support, as well as allowing an easy adjustment to the wall. The slots in the inside of the body avoid the screws damaging the paper towels. The opening presents edged borders in order to avoid tearing of paper towels.
- Stainless steel AISI 304 seamless one-piece lid, 22-gauge (0.8 mm), satin finish. Fixed to the body by means of 2 rivets. It includes a lock with standard saniflow ® key, that allows swinging down of lid for replenishment.
- A frontal window indicates refill time.

Technical Specifications

Dimensions	10-7/8"W x 13"H x 5-1/4"D	Towels	4" x 10" maximum
Weight (empty dispenser)	4 Lbs.	C-fold towel capacity	400 units
Mounting height (to top of dispenser) floor	50"-65" from floor	Multifold (Z-fold) towels capacity	600 units
Mounting height for disabled people floor	35"-45" from floor		

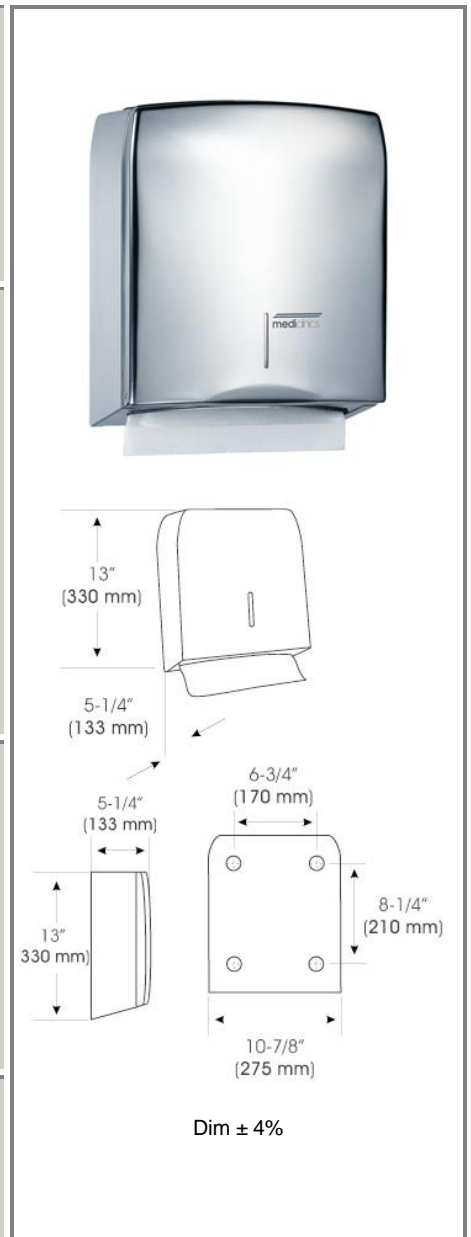
Operation

Pull the towel until it detaches from the appliance. Repeat the action, at your own convenience.

Specification

Surface mounted paper towel dispenser, shall be made of stainless steel AISI 304 satin finish. Unit shall dispenser either 400 c-folder or 600 multifold towels. The body shall be made of stainless steel AISI 304 satin finish, perfectly welded, 22-gauge (0.8 mm), fully sealed. The support of the screws should act as an anti-moisture support, as well as slots to avoid the screws damaging the paper towels and permit the easy adjustment to the wall. It should be suitable to be mounted on the wall by means of 4 wood screws with their corresponding 3/16" (5 mm) wall plugs. The opening should present edged borders in order to avoid tearing of paper towels. The lid should be made of stainless steel AISI 304 satin finish one-piece seamless, 22-gauge (0.8 mm) and fixed to the body by means of 2 rivets. It includes a lock with standard saniflow ® key, that allows swinging down of lid for replenishment. The appliance should have a frontal window to indicate refill time. Overall dimensions shall be 10-7/8"W x 13"H x 5-1/4"D.

Paper towel dispenser shall be model DT0106CS, stainless steel AISI 304 satin finish, of Saniflow Corp., 2655 Le Jeune Road Suite 810, Coral Gables, FL 33134.



Saniflow Corp., reserves the right to make changes and/or modifications to the products and their specifications without warning or notice.