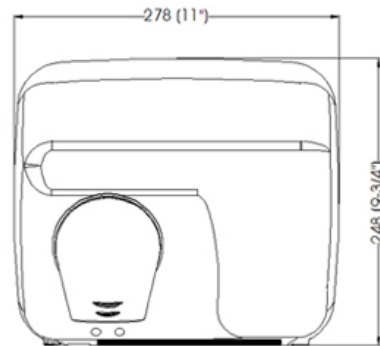


**SANIFLOW SENSOR OPERATED STEEL
WHITE ENAMELLED COATING**
Código: E88A
General description

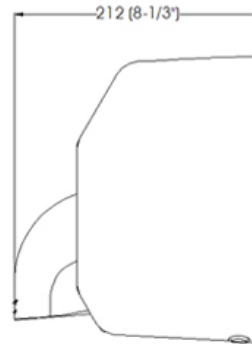
- Warm air hand dryer.
- Sensor operated.
- Maximum power and airflow.
- Maximum robustness and vandal-proof.
- Suitable for very high traffic facilities.
- It normally goes along with a soap dispenser.


Components and Materials

- Steel one-piece cover with white porcelain enamelled coating, 1,5 mm thick. Cover fixed to the base by means of 2 vandal-proof lock screws and lock with special Saniflow ® wrench.
- Base in aluminium, 3 mm thick, with 4 Ø 8 mm holes for wall mounting.
- Fire resistant plastic UL 94-VO fan scroll.
- Universal brush motor, 5.500 rpm, F class, which includes a safety thermal cut-off.
- Aluminium centrifugal double symmetrical inlet fan wheel.
- Waved wire NiCr heating element on a mica frame that incorporates a thermal cut-off.
- 360° Nozzle in chrome plated zamak.
- Electronic detection sensor by infrared means.
- Adjustable detection by potentiometer.


Technical Specifications

Voltage - 220-240 V	Total power - 2250 W
Frequency - 50/60 Hz	Motor power - 250 W
Electrical isolation - Class I	Heating element power - 2000 W
Dimensions - 248x 278x 212 mm	Consumption - 10 A
Weight - 6,5 Kg	RPM - 5500
Effective airflow - 330 m³/h 5.500 l/min	Air temperature(10 cm distance / 21 °C) - 53 °C
Nominal airflow - 470 m³/h /7800 l/min	Noise level (at 2 m) - 70 dB
Air velocity - 96 Km/h	Protection level - IP23



Dim.: ±4%

Operation

Place the hands under the air outlet grill. The dryer will start automatically, and go on with no interruption as long as the hands are kept in the detection range of the sensor. The appliance will stop 2 seconds after the hands are removed from the airflow.

Installation

Please refer to Back

Certificates & Qualifications

ISO 9001:2008, CE, GS, EMC (VDE), GOST.

Compliant with electrical safety directives 2006/95/EC and electro-magnetic compatibility directives 2004/108/CE.

Mediclinics, S.A., reserves the right to make changes and/or modifications to the products and their specifications without prior notice.