



FOOD WARMERS: FOOD SERVERS BUTTER WARMER, MIX-N-SERVE™

Model MNS



MNS 05550



US LISTED



2 YEAR
WARRANTY

BID DESCRIPTION

The Mix-N-Serve™ is designed for serving butter, hot chocolate and other similar products that separate. It's constructed of stainless steel and black ABS plastic. To keep product uniform throughout the day, a magnetic agitator continuously stirs.

The adjustable thermostat holds product up to 170°F (77°C) and locks to prevent accidental changes. A 400 watt heating element heats product evenly without burning or scorching. Two on/off lighted rocker switches control the heating element and stir mechanism.

The Mix-N-Serve™ includes a melting basket and removable 6 quart (5.7-L) stainless steel food vessel. Product is dispensed from a heavy duty, spigot style faucet.

STANDARD FEATURES

- Durable stainless steel and plastic construction
- 6 quart (5.7-L) capacity
- Removable food vessel for easy cleanup
- Thermostat lock prevents accidental temperature changes
- Magnetic agitator keeps product from separating
- Independent control of heat and stir features

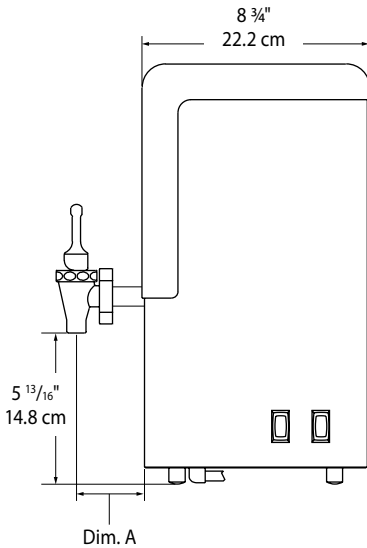
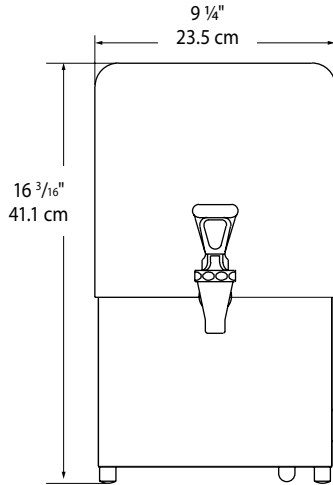
TWO YEAR WARRANTY

Server Products equipment is backed by a two-year limited warranty against defects in materials and workmanship. For a copy of our complete warranty statement, please refer to server-products.com.

FOOD WARMERS: FOOD SERVERS BUTTER WARMER, MIX-N-SERVE™

Model MNS

MIX-N-SERVE™



SPECIFICATIONS

Construction	Stainless steel and black ABS plastic unit includes removable stainless steel food vessel.			
Certifications	NSF, C UL US			
Capacity	6 qt (5.7 L)			
Dimensions	<u>Height</u>	<u>Width</u>	<u>Depth</u>	<u>Dim. A</u>
	16 3/16" 41.1 cm	9 1/4" 23.5 cm	8 3/4" 22.2 cm	2 5/8" 6.7 cm
Electrical	120V, 60Hz, 450W, 3.8A, 72 in (183 cm) cord set NEMA 5-15P, 15A, 125V PLUG			
Weight	20 lb (9.0 kg)			

FOB RICHFIELD, WISCONSIN 53076

CAD LIBRARY

Individual CAD images can be downloaded from our website. We are also a member of The KCL CADalog with more than 100 other manufacturers. Our complete collection of CAD files can be purchased through Kochman Consultants, Ltd. at kclcad.com.