



Conforms to UL STD. 763 and NSF Std. 08

# PALLADIO 330 EVO AUTO

## 13" Deli slicer



Palladio 330 EVO AUTO



Slice control keypad with 9 settings and programmable slice counter

- The ultimate EVolution from Sirman!
- 13" high-quality extra heavy-duty automatic slicer provides precise repeatable slicing control without constant supervision
- Designed for high-volume retail applications, catering and institutions
- Pre-selection of 3 different carriage speeds
- Pre-selection of 3 different carriage strokes - 1/3, 2/3 and full stroke
- Built-in slice counter
- Works both in automatic and manual mode

### Features

#### Dependability, Yield and Profitability:

- One-piece sanitary polished and anodized aluminum construction
- Widest cutting capacity in a compact footprint
- Low-profile, ergonomic design with an extremely smooth carriage motion
- 1/2 Hp heavy-duty motor for continuous service and higher torque for cheese slicing
- IP67 dustproof and waterproof rating keypad
- Dual stage cam system allows precise, thin and thick slicing
- Complete stainless steel drive shaft assembly
- Built-in sharpener for perfect results and safety - unlike remote devices

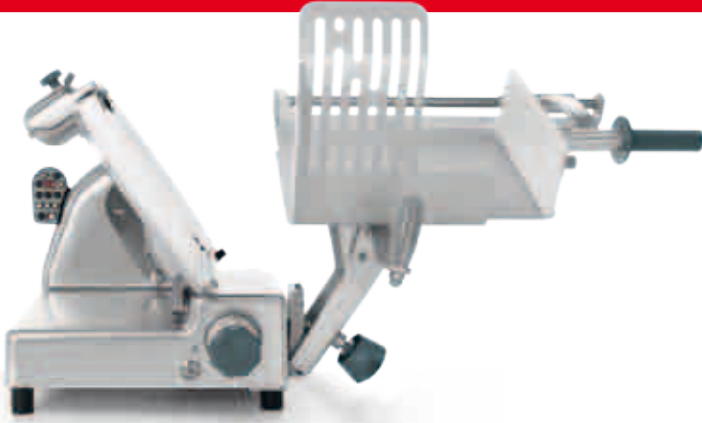
#### Hygiene and Safety:

- Rounded, edgeless design
- Increased gap between blade and machine body
- One-piece carriage with seamless, see-through hand guard
- Improved blade guard removal system
- Zero blade exposure to prevent injuries when cleaning
- Tilt-carriage with zero blade exposure
- Permanent blade rim guard covering the non-slicing portion of the blade edge
- Overload protection
- No volt release
- Certified to meet and exceed the latest NSF/ANSI 8 2010 standards

### Specifications

- Operation:** Gravity feed.
- Construction:** Polished, anodized aluminum alloy.
- Knife:** One piece, chromium plated 100Cr6 forged carbon steel blade.
- Sharpener:** Built-in, removable, two stone dual action.
- Slice thickness:** Infinitely variable up to 1 3/16"
- Motor:** 1/2 Hp (410 W), fan cooled.
- Electrical:** 120V AC, 60Hz, 3.4A (220V, 50Hz available on request).
- Plug & Cord:** Attached, flexible, 3 wire SJT 18 AWG, 6'4" long cord.
- Switch:** Electronic waterproof keypad.





Tilt-carriage with zero blade exposure



Vegetable Chute



Improved blade guard removal system



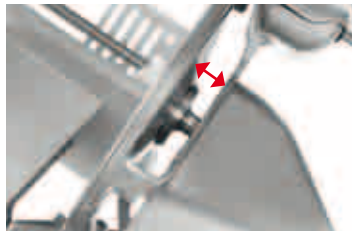
Completely sealed stainless steel shaft



IP67 switch in compliance with NSF ANSI 8



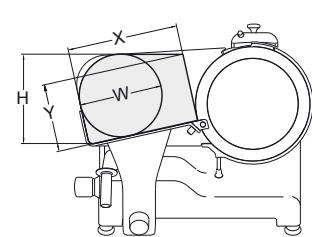
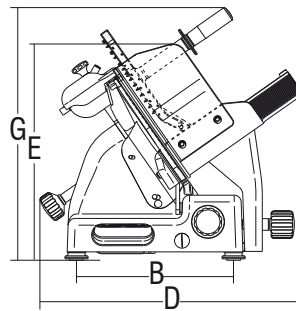
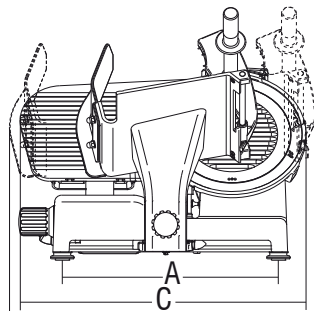
One-piece carriage with seamless, see-through hand guard



Increased gap between blade and machine body



Dual stage cam system allows precise, thin and thick slicing



	Ø Blade	Motor	Cut thickness	Blade rpm	Carriage stroke	Hopper	A	B	C	D	E	F	G	X	Y	H	W	Net weight	Shipping	Gross weight
	mm/inch	watt/Hp	inch.	rpm	inch.	inch.	inch.	inch.	inch.	inch.	inch.	inch.	inch.	inch.	inch.	inch.	inch.	lbs.	inch.	lbs.
<b>Palladio 330 EVO</b>	330/13"	410-0,55	1 3/16"	216	12 3/16"	12" x 9 5/8"	18 5/16"	13 3/8"	24 3/16"	26 3/16"	17 11/16"	27 15/16"	24 3/16"	9 5/8"	7 1/2"	10 5/8"	9 1/4"	85	34 1/4" x 33 1/16" x 29 1/2"	135

